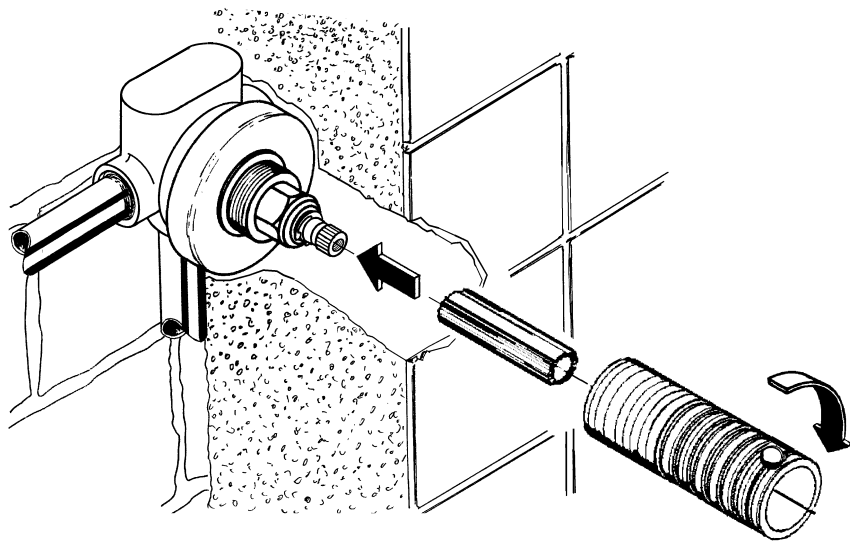
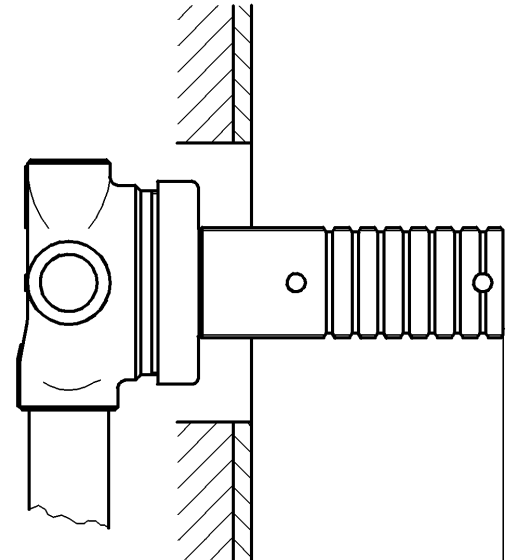


19 166 / 19 181

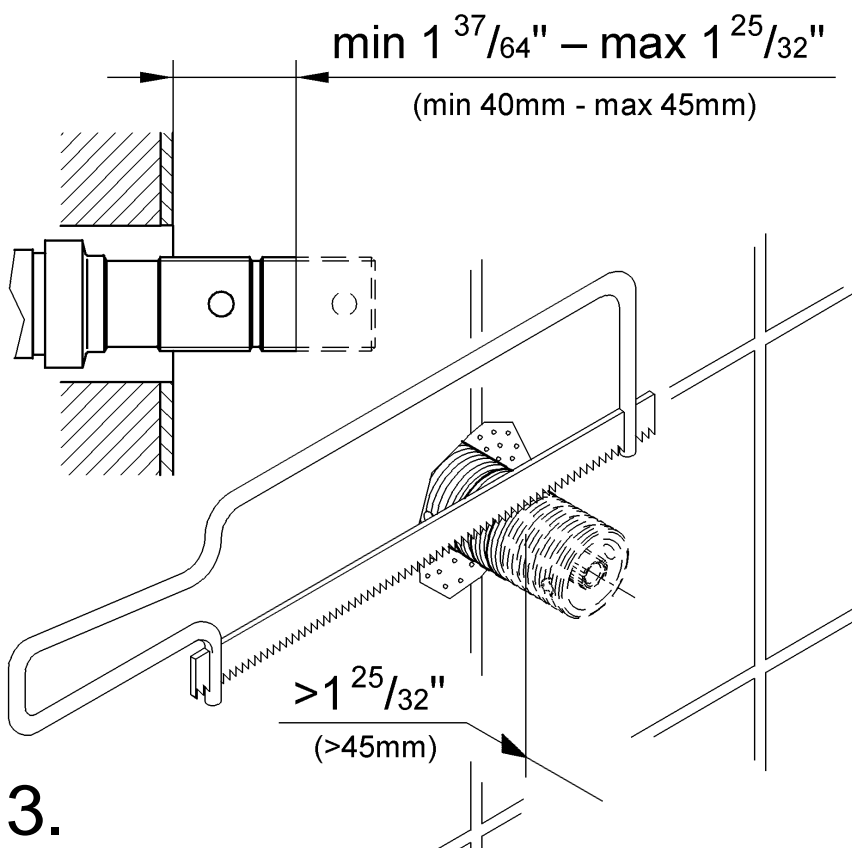


1.

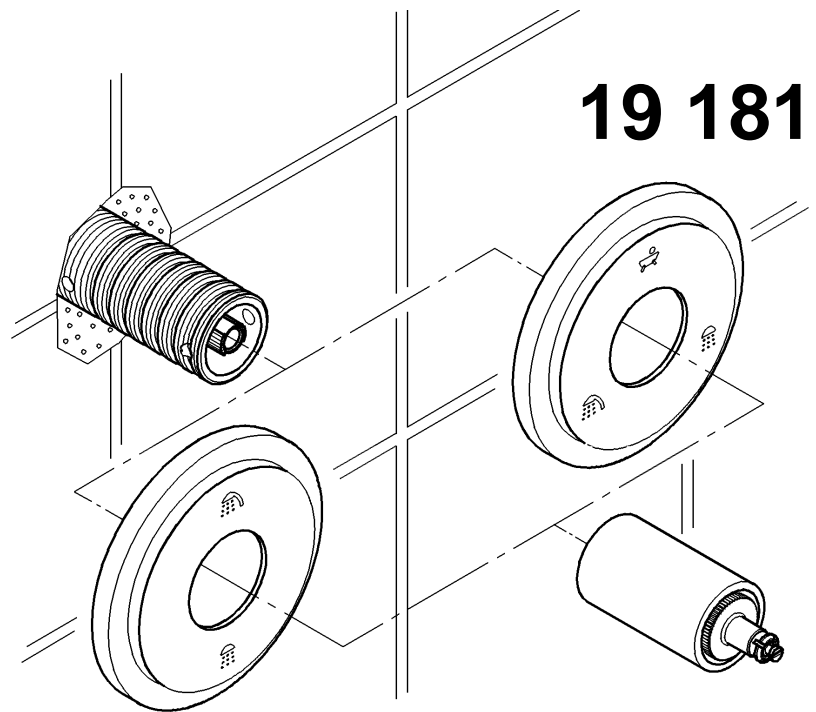


min $1 \frac{37}{64}$ " –
max $1 \frac{25}{32}$ "
(min 40mm - max 45mm)

2.



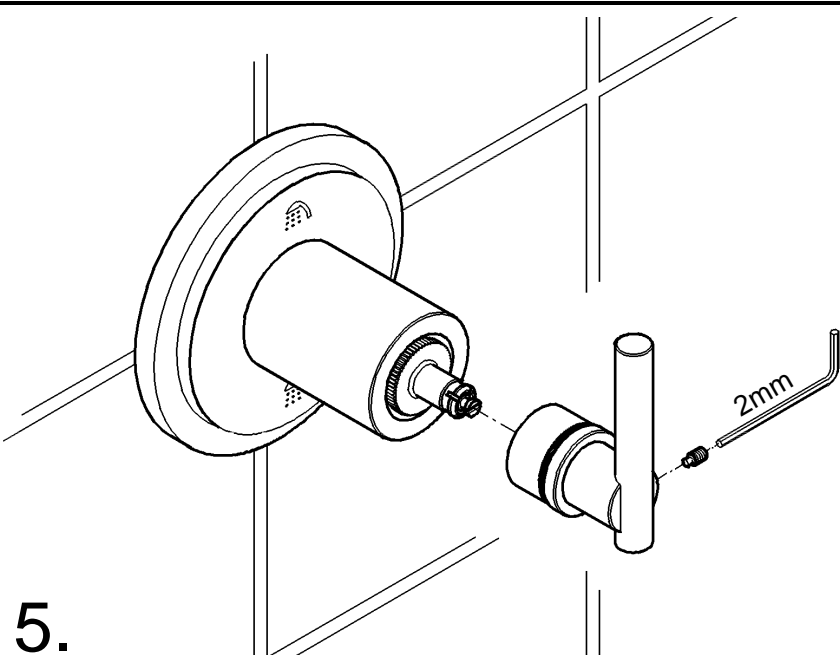
3.



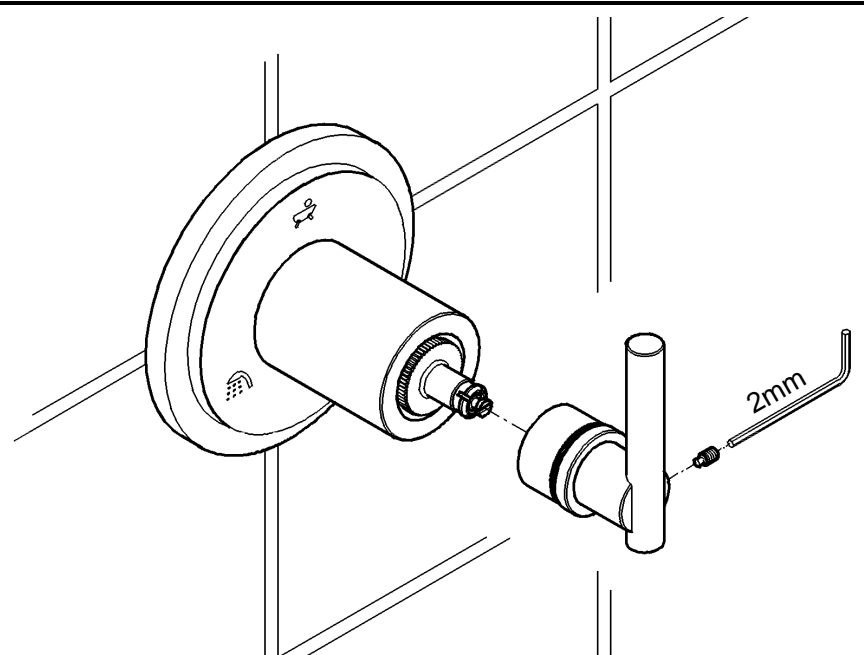
19 181

19 166

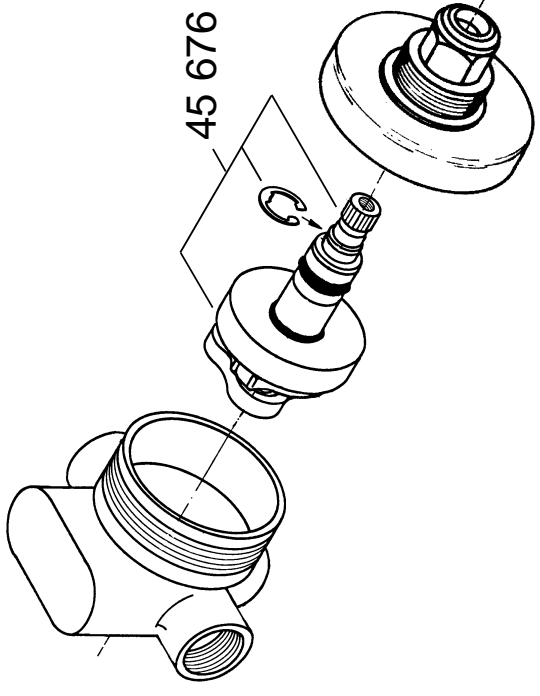
4.



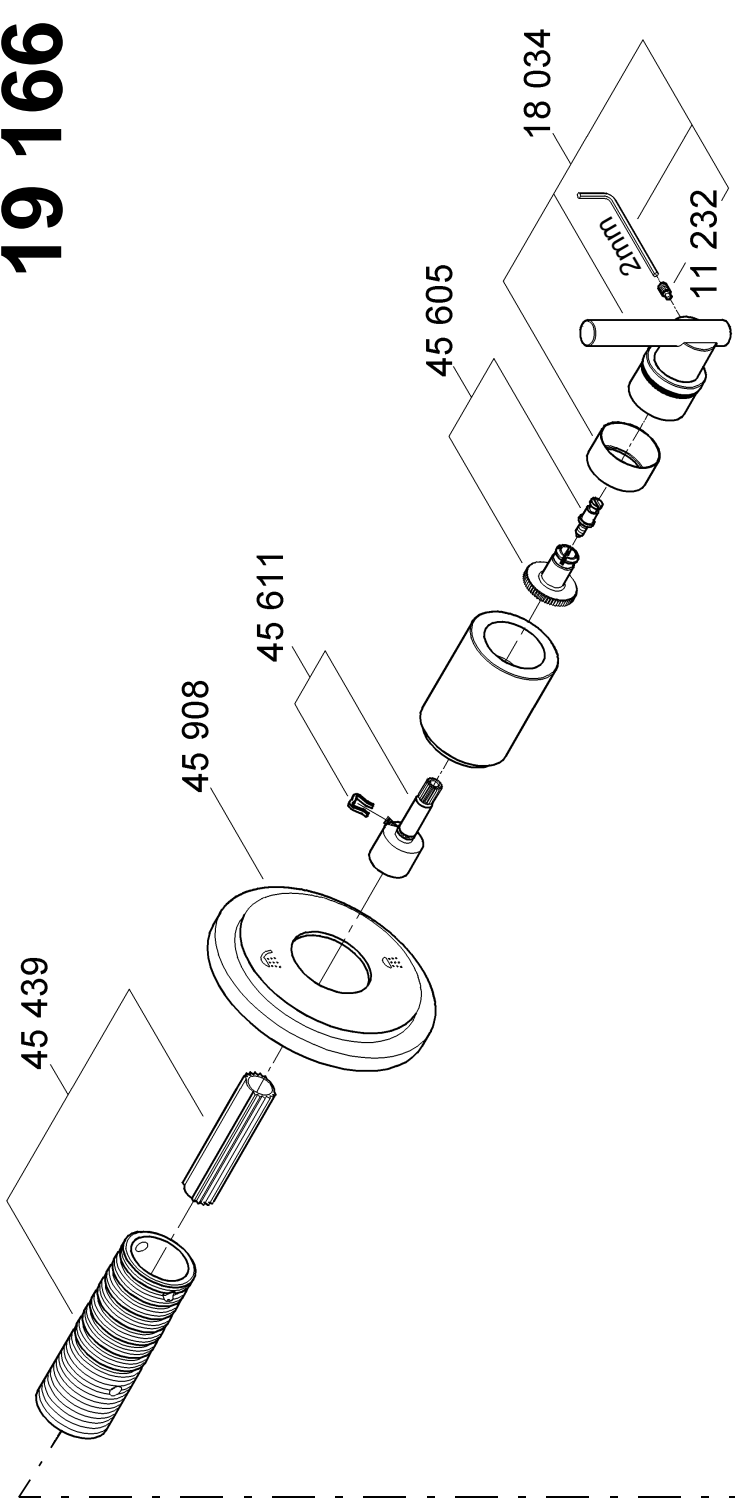
5.



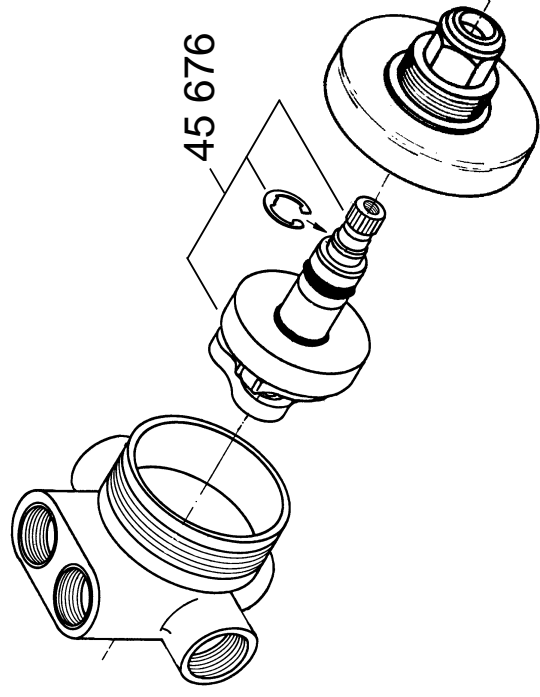
29 712



19 166



29 714



19 181

