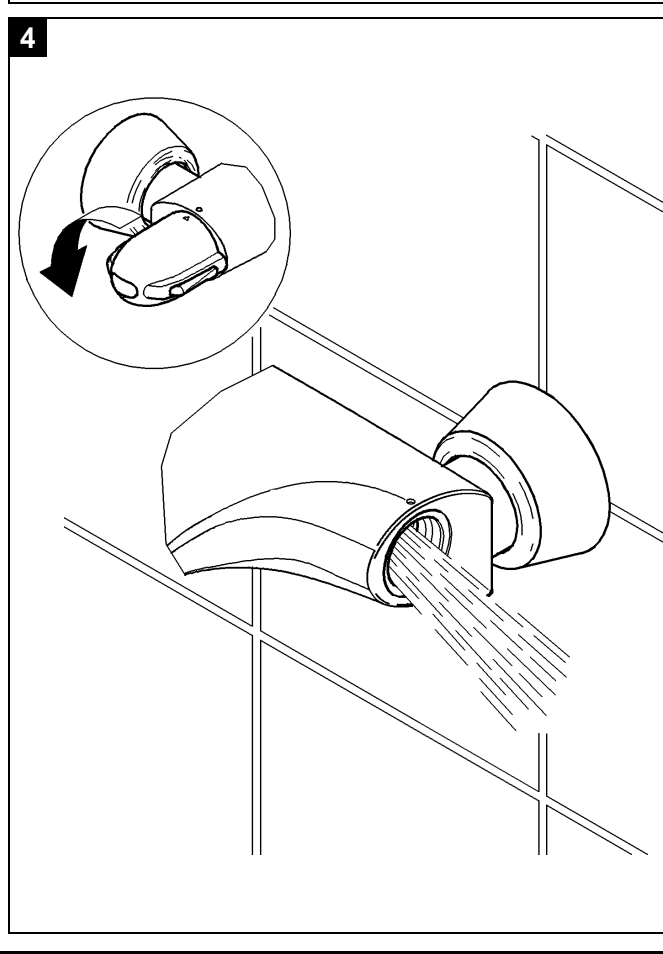
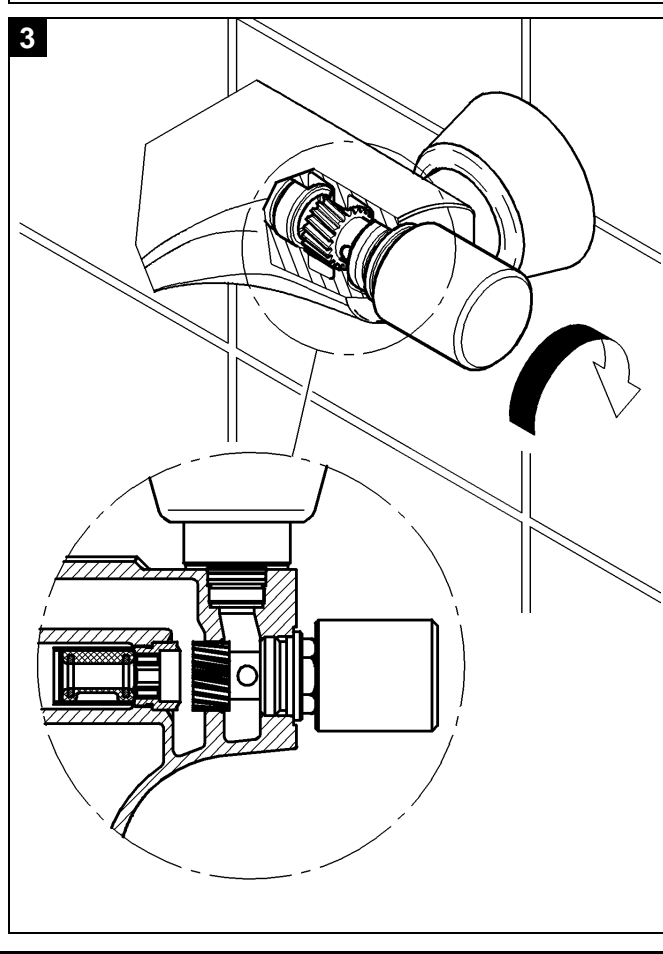
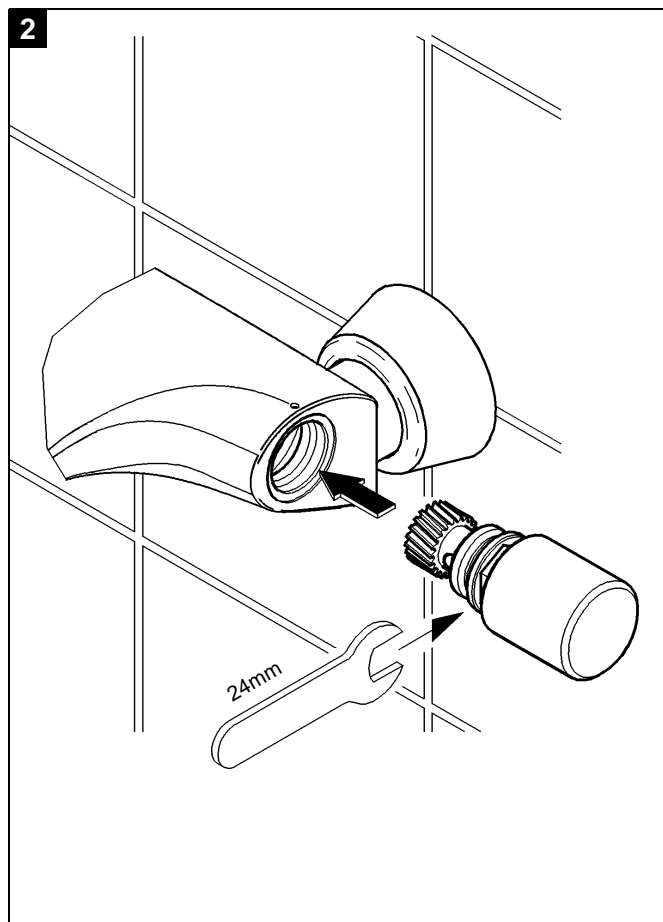
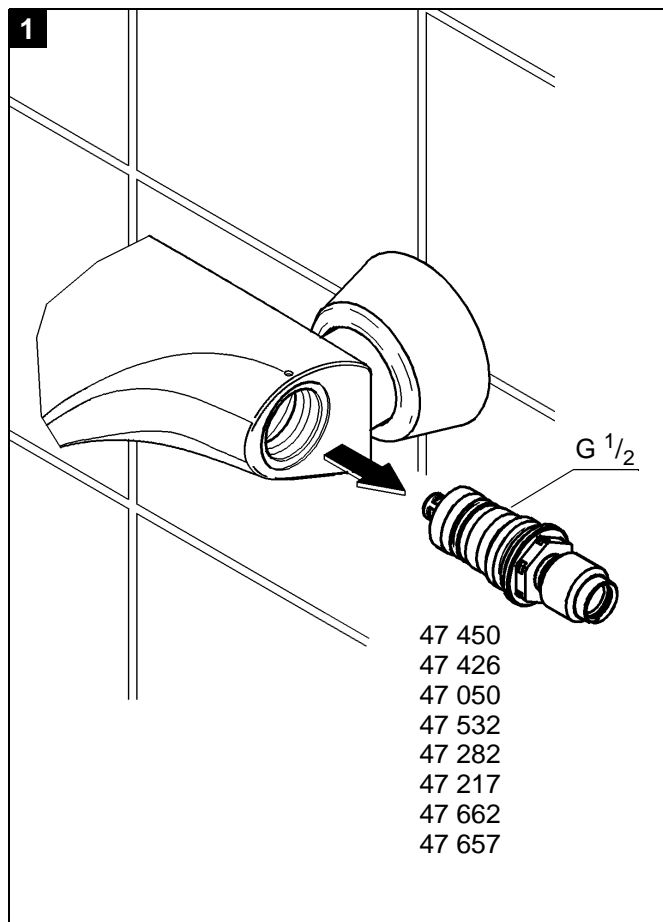


# GROHE

WATER TECHNOLOGY



94.179.031/ÄM 73 686/03.02

