



DIN EN 806

DIN EN 1717  
DIN 1988



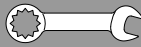
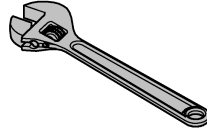
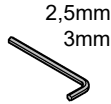
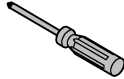
bar



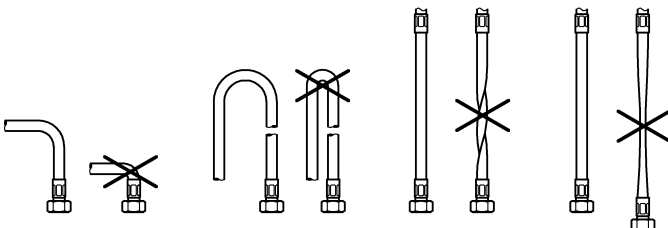
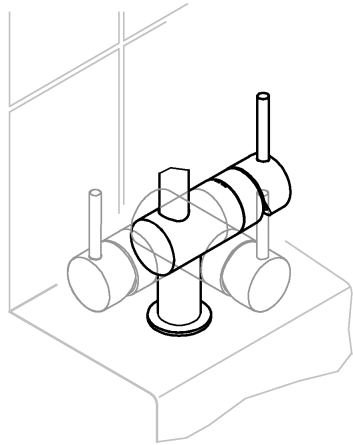
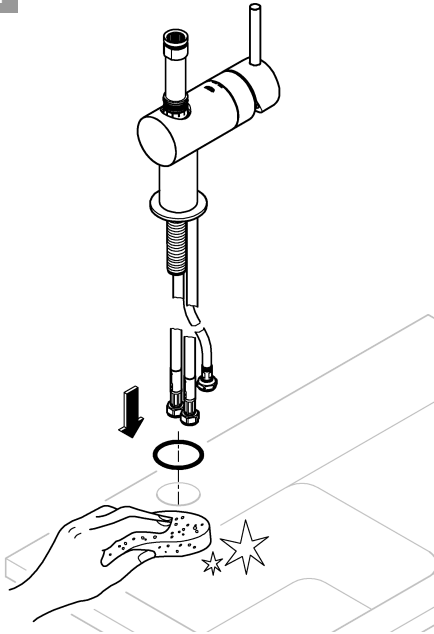
°C

max. 10  
0,5 1 5

max. 70°  
60°

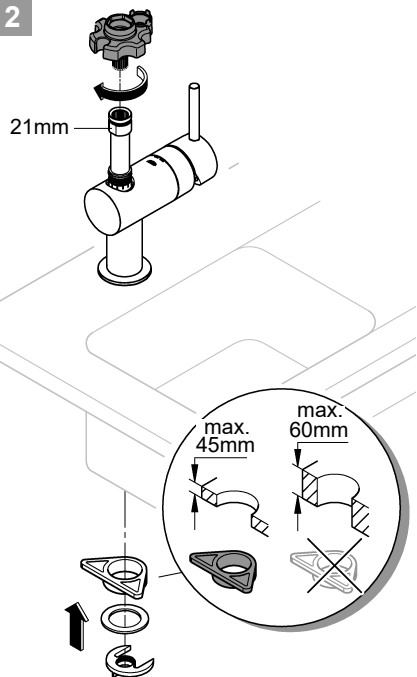


1

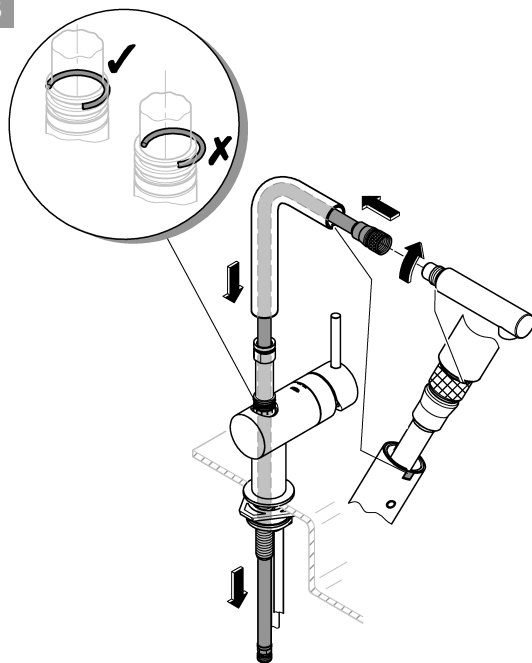




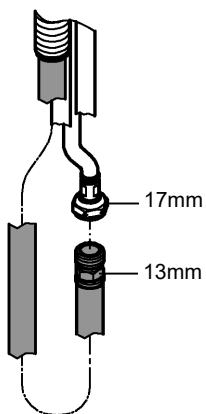
2



3

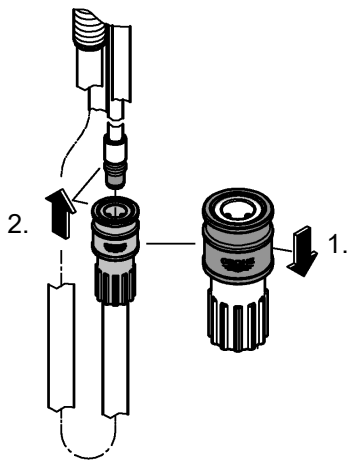
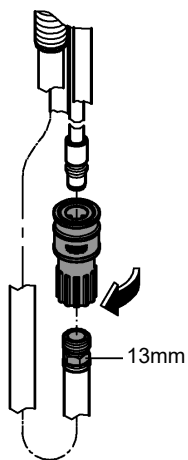


4a



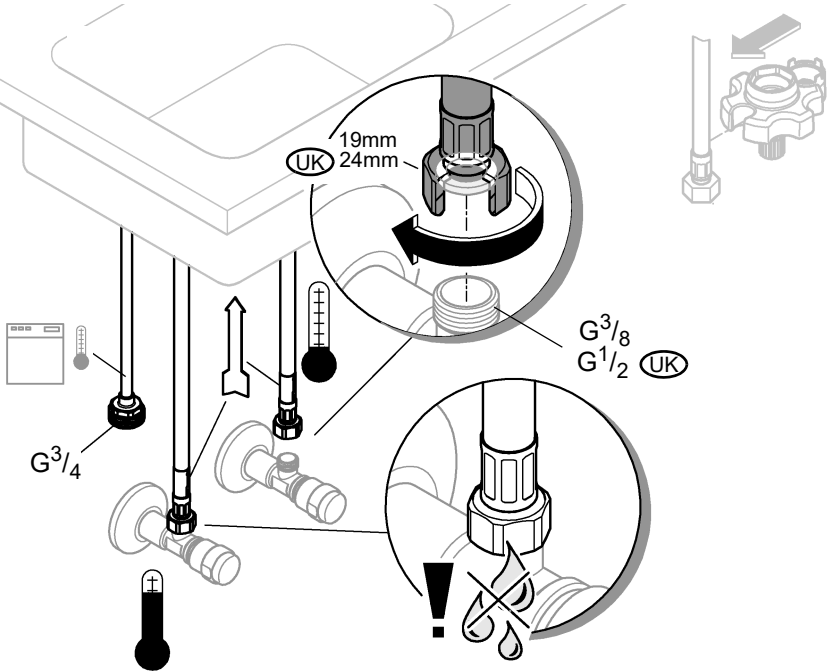
4b

KSA UAE CN

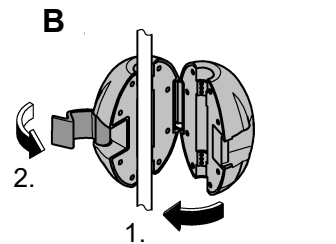
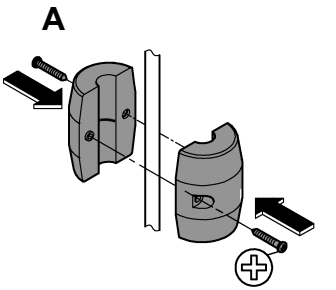




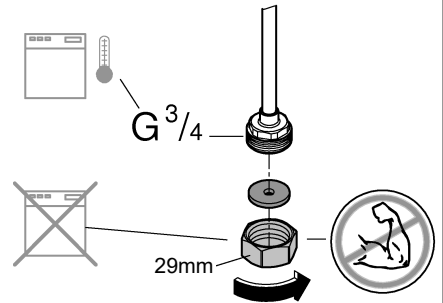
5

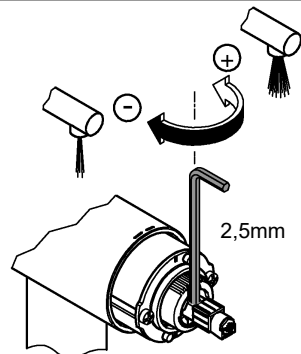
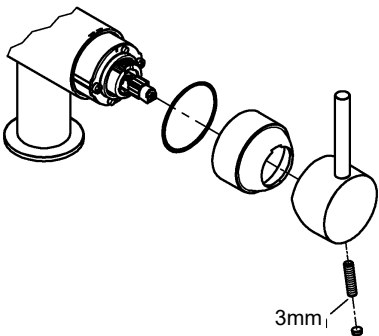
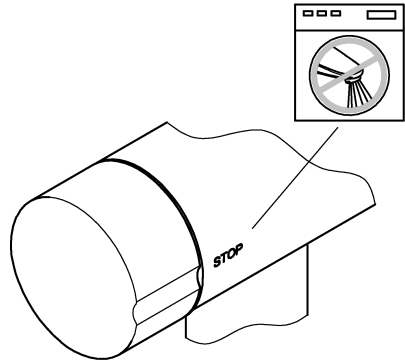
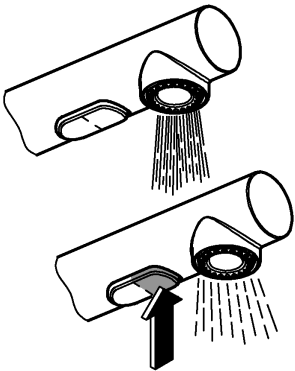
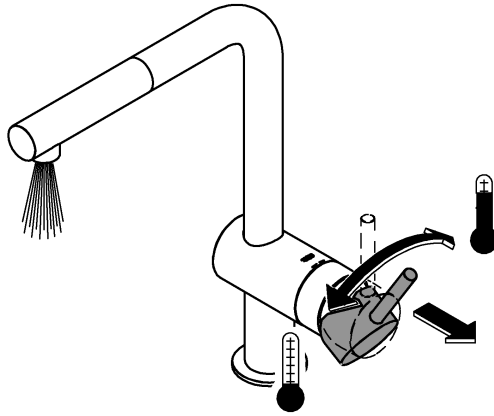


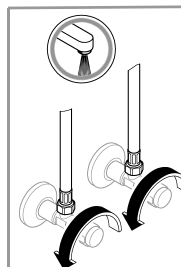
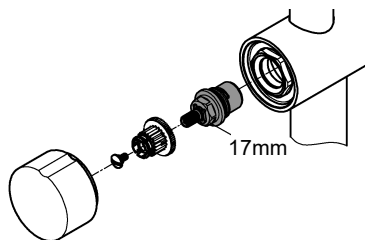
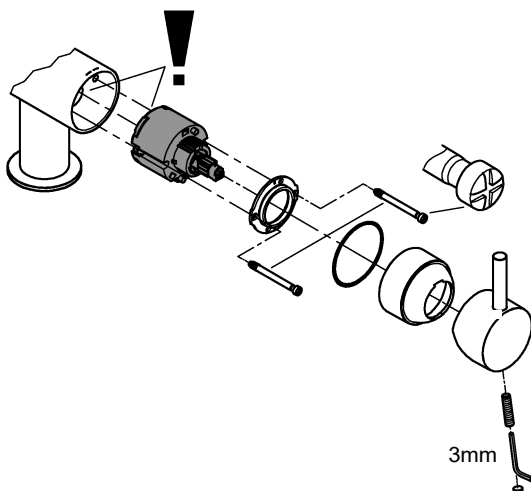
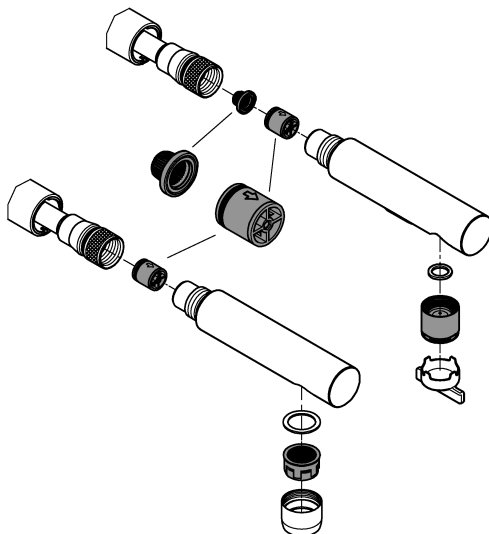
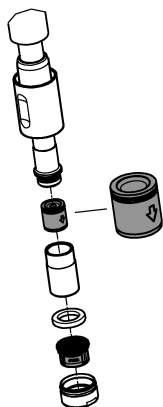
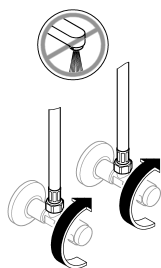
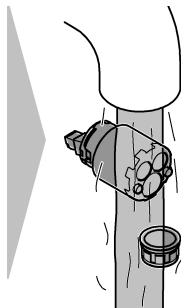
6



7









A series of horizontal lines for writing, consisting of 25 evenly spaced lines extending across the width of the page.

