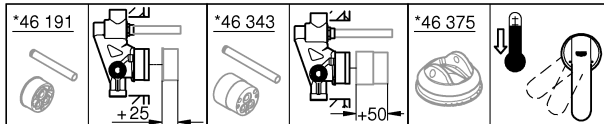
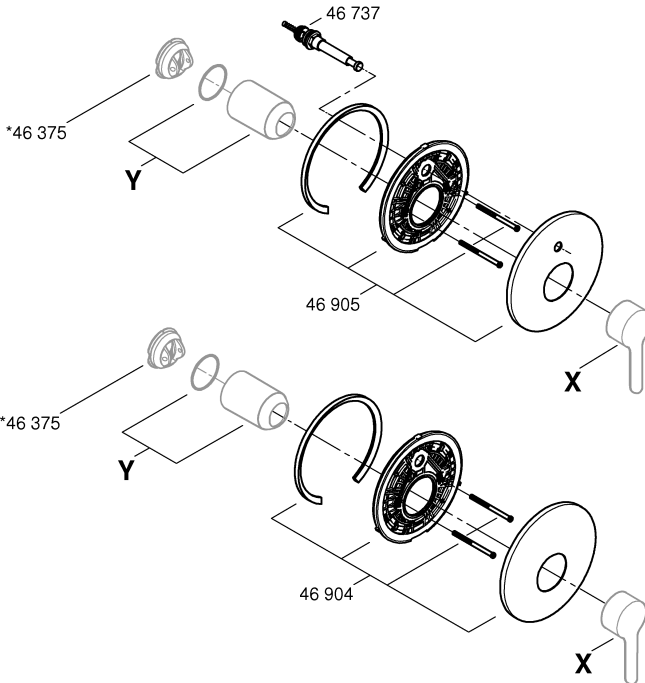


X	46 723	46 743	48 594	---	---	46 682	46 988	106 288
Y	06 874	02 693	09 038	09 038	09 038	02 693	09 038	09 038





DIN EN
806

DIN
1988



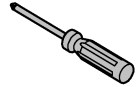
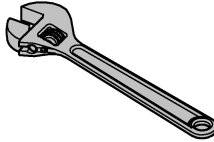
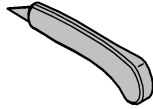
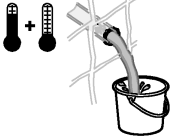
bar

max. 10
0,1 0,2 5

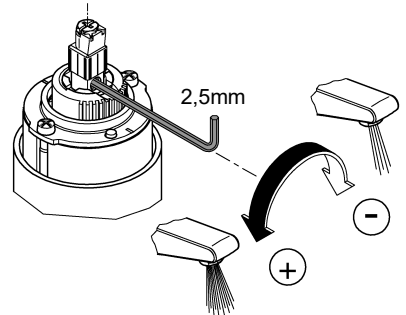
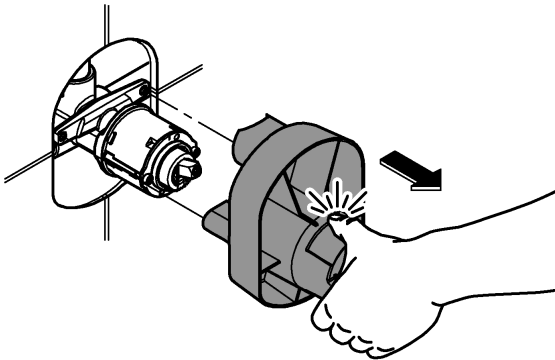


°C

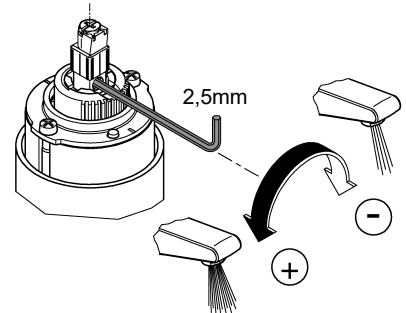
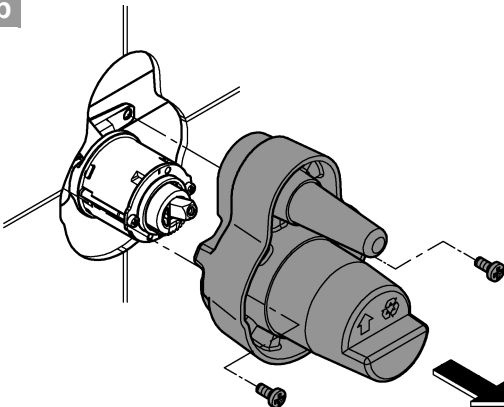
max. 70°
60°



1a

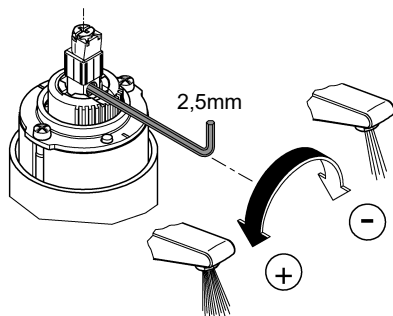
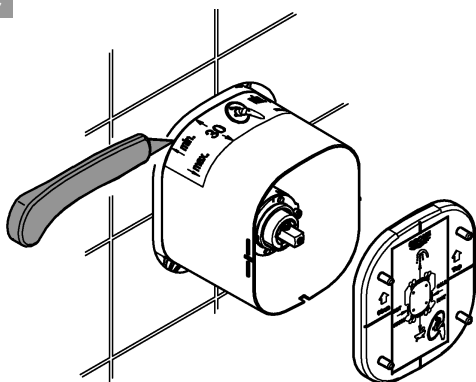


1b

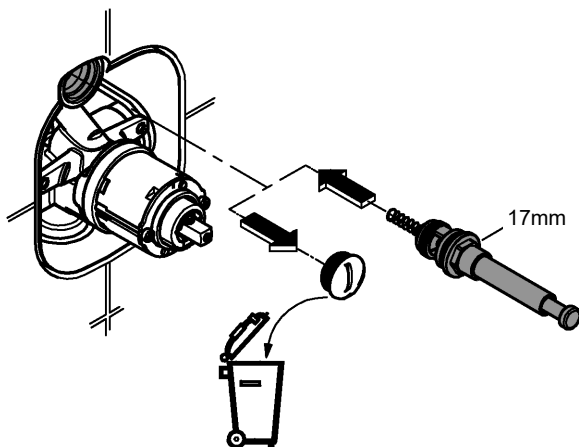




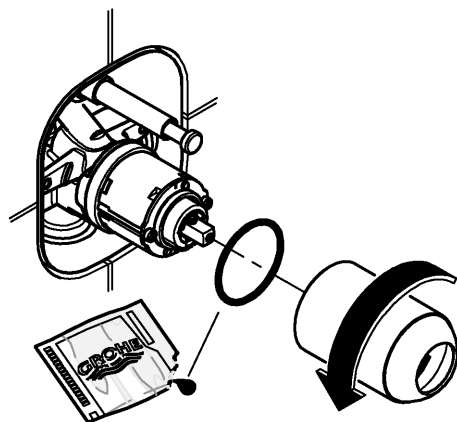
1c



2

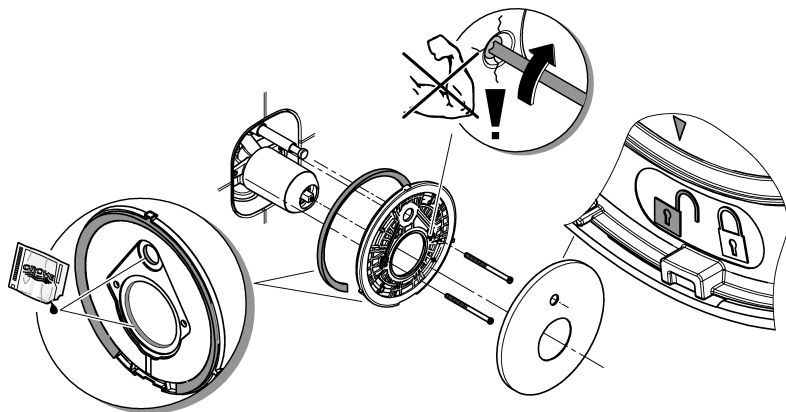


3

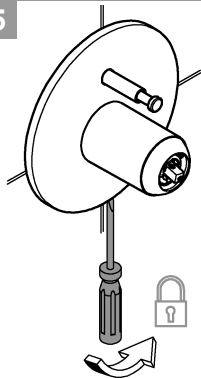




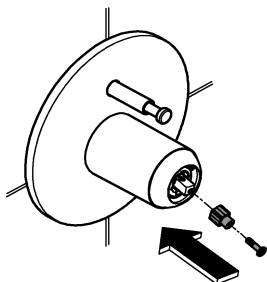
4



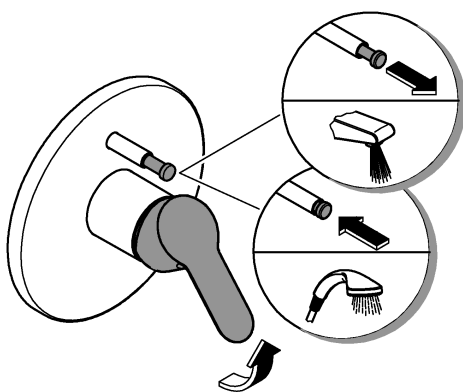
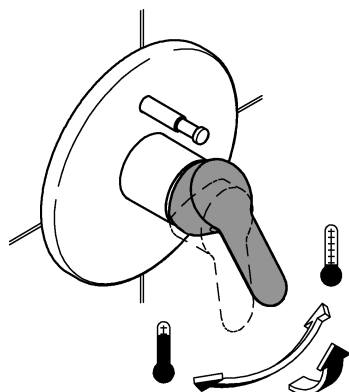
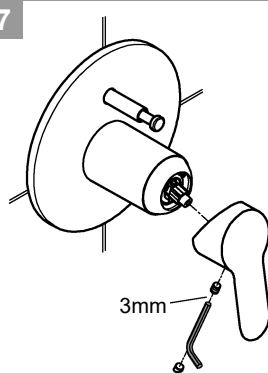
5

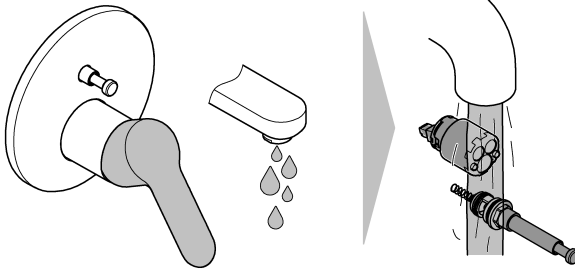


6

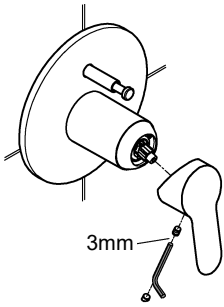


7

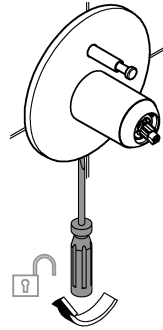




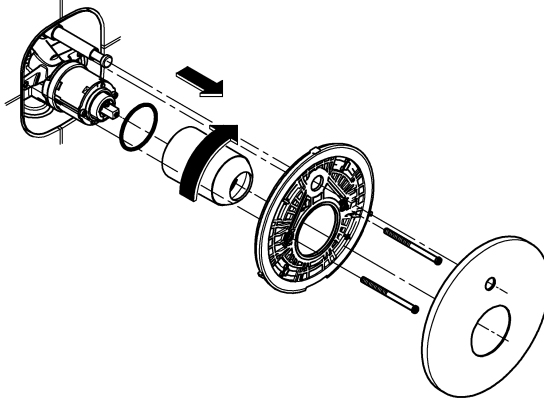
1



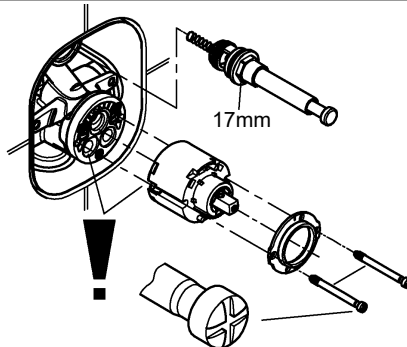
2



3



4





A series of horizontal lines for writing, starting from the bottom of the grey header and extending to the bottom of the page. The lines are evenly spaced and cover the majority of the page area.

