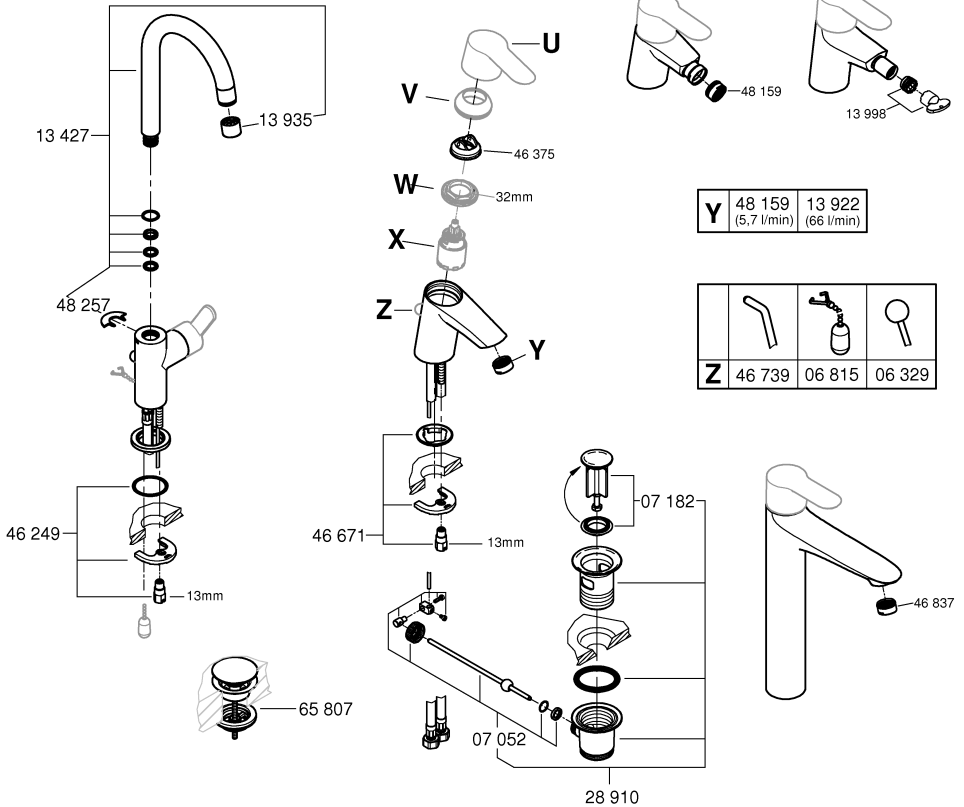


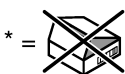


<b>U</b>	46 939	46 902	46 897	46 938	46 900
<b>V</b>	46 492				—
<b>W</b>	46 460				46 715
<b>X</b>	46 863		46 374		46 580



<b>Y</b>	48 159 (5,7 l/min)	13 922 (66 l/min)
----------	-----------------------	----------------------

<b>Z</b>	46 739	06 815	06 329



*19 332	32mm	*19 017	13mm		07 052	180mm
					*07 341	350mm



DIN EN  
806

DIN  
1988



bar

max. 10

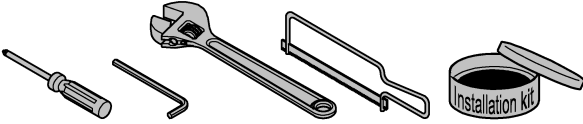
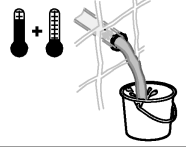
5

0,2

°C

max. 70°

60°



13mm

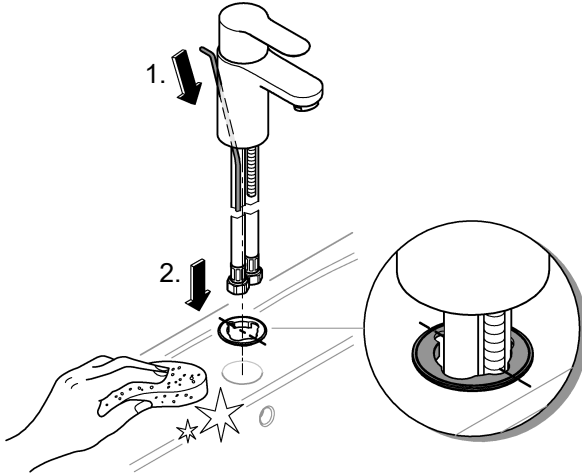
32mm

\*19 017

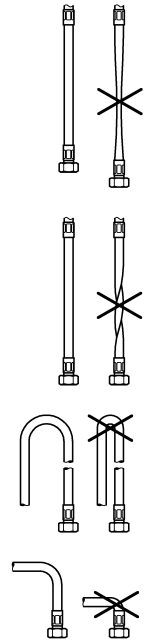
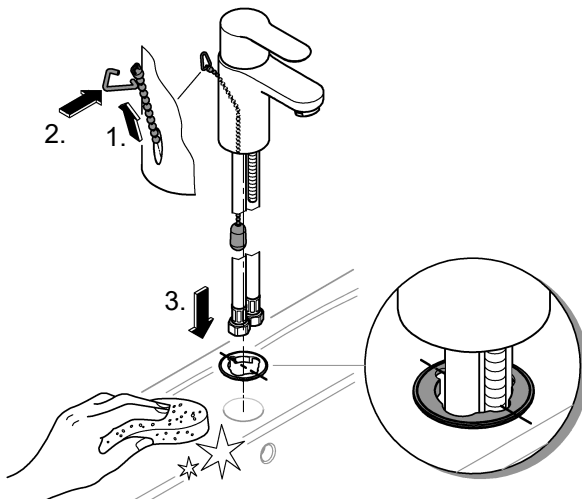
\*19 332



1a

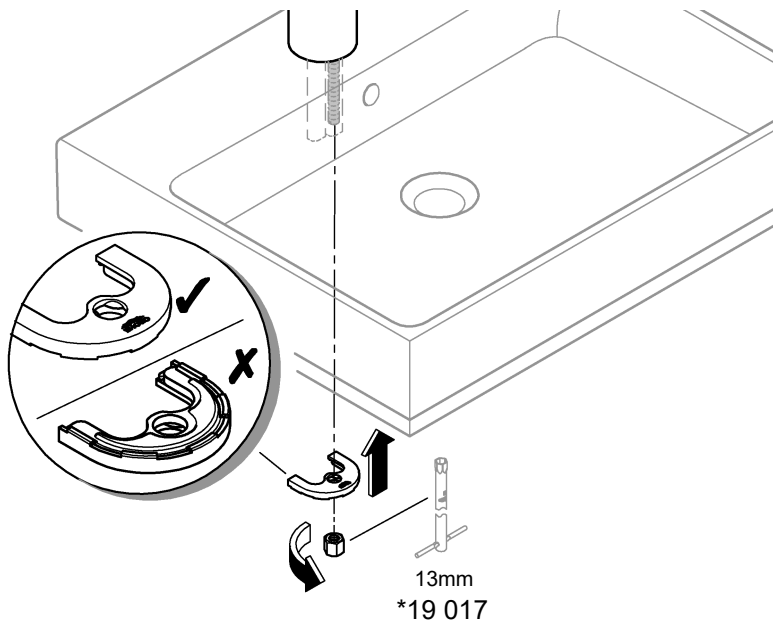


1b

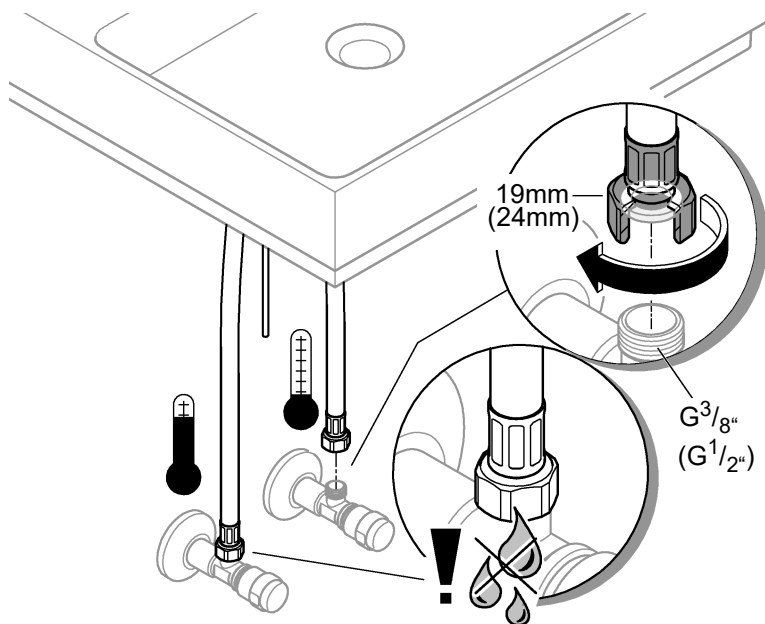




2

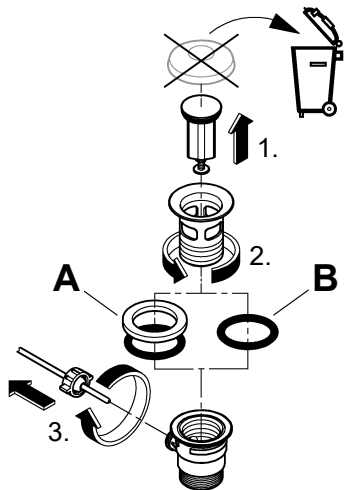


3

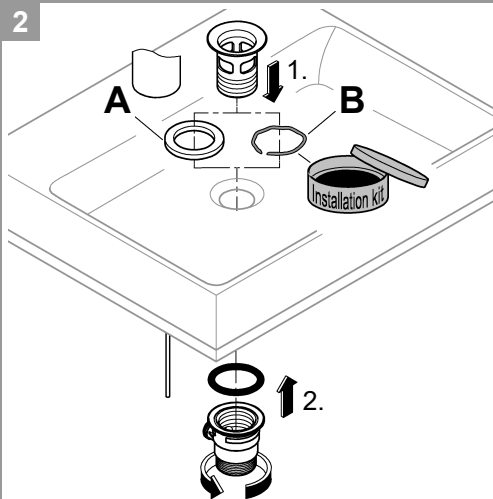




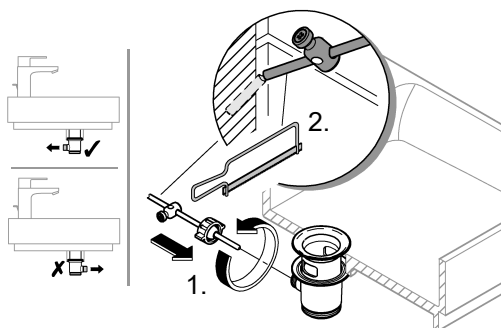
1



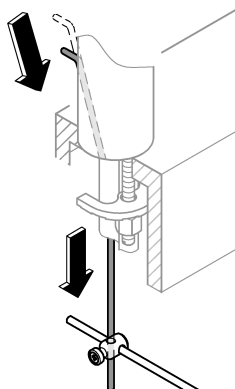
2



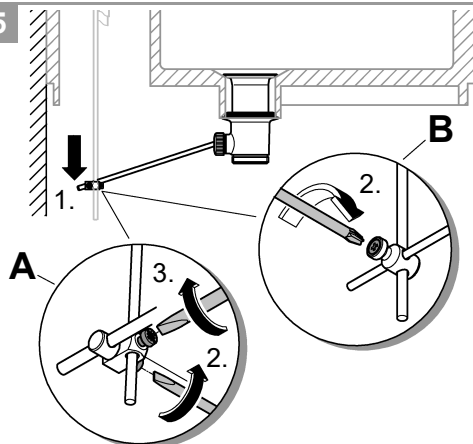
3



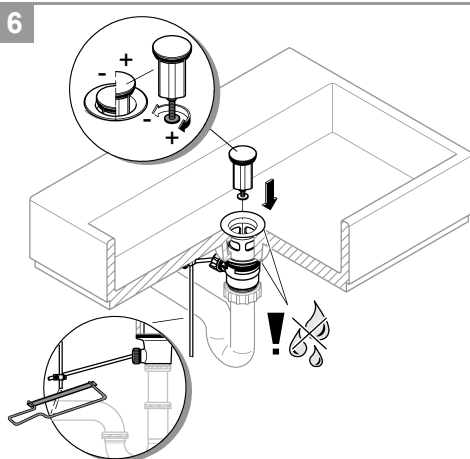
4



5

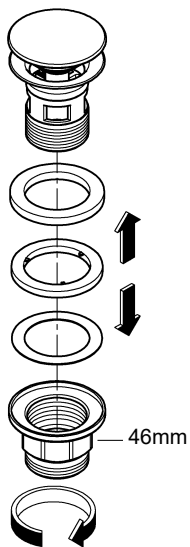


6

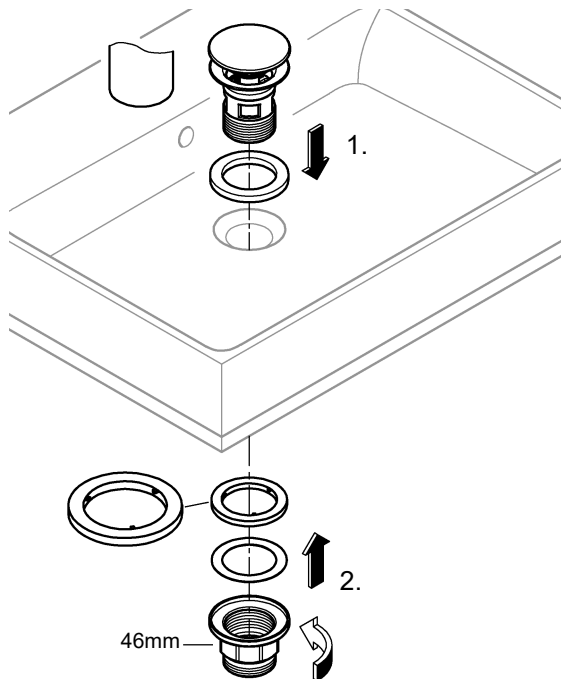




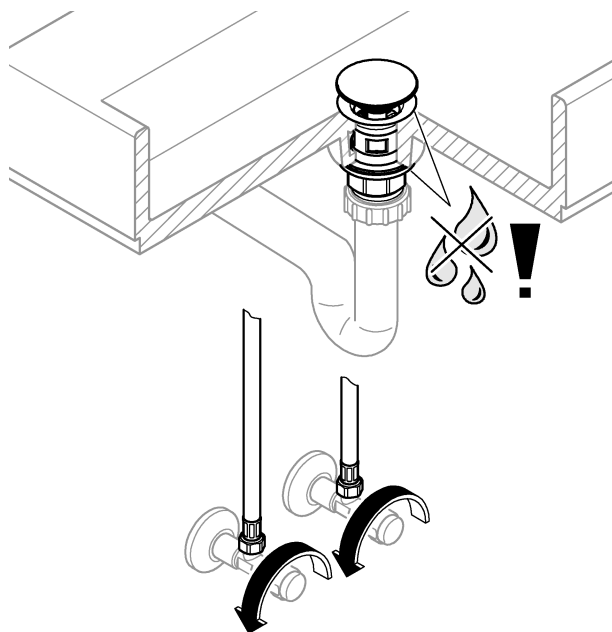
1



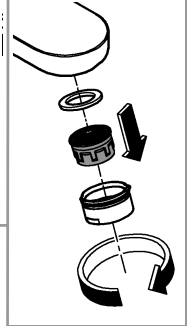
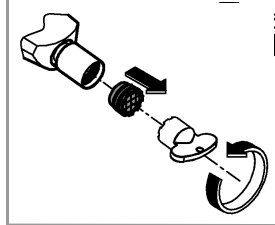
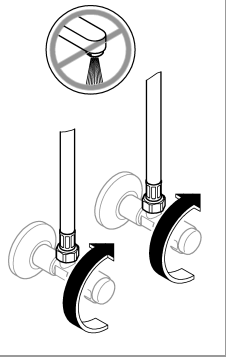
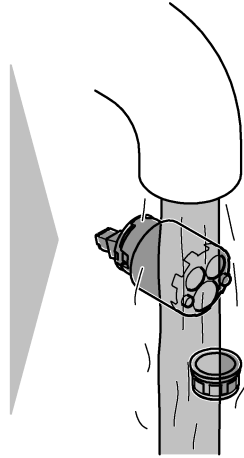
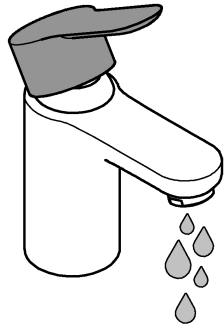
2



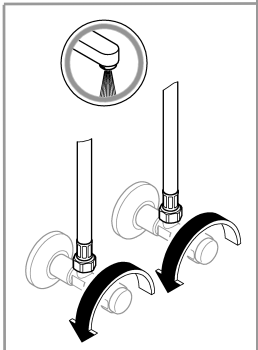
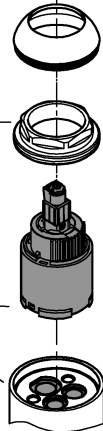
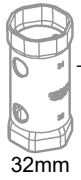
3







\*19 332







A series of 20 horizontal lines for writing, spaced evenly down the page.

