

Application

- for shower

Can be used in conjunction with:

- Pressurised storage heaters
- Thermally controlled instantaneous heaters
- Hydraulically controlled instantaneous heaters

Operation with unpressurised storage heaters (open water heaters) is not possible.

Specifications

- Flow pressure min. 50 kPa - recommended 100 - 500 kPa
- Operating pressure max. 500 kPa

If static pressure is greater than 500 kPa, fit pressure reducer.

Avoid major pressure differences between hot and cold water supply.

- Flow rate at 300 kPa flow pressure approx. 7.5 L/min

Installation

Flush piping system prior and after installation of fitting thoroughly (Consider EN 806)!

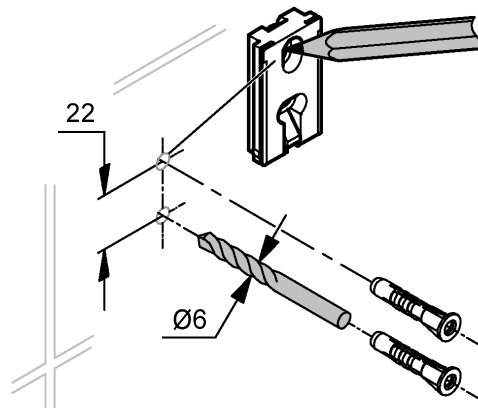
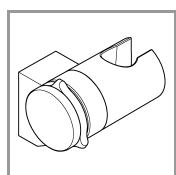
This product must be installed in conformance with local codes e.g. AS/NZS 3500 series of standard!

Installation and connection, see Figs. [1] to [4].

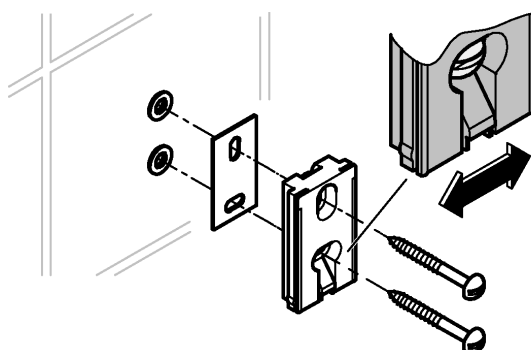
Open cold and hot water supply and check connections for leakage!

Maintenance, see Fig. [5].

1



2



3

