



DIN 1988

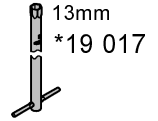
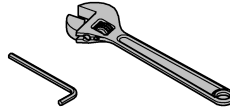
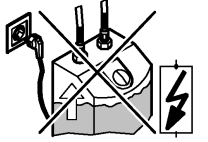
DIN EN 806

bar

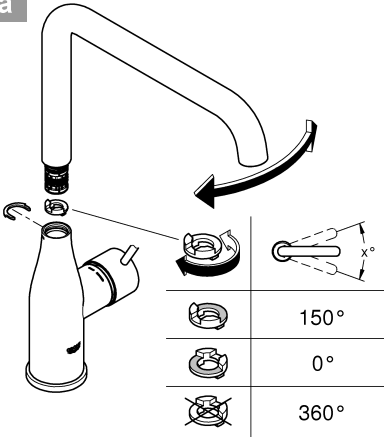
max. 10
0,5 5 1

°C

max. 70° 60°

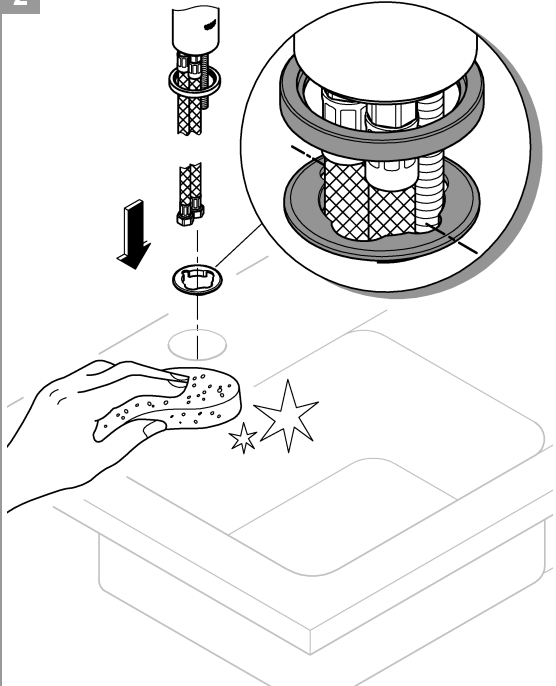


1a

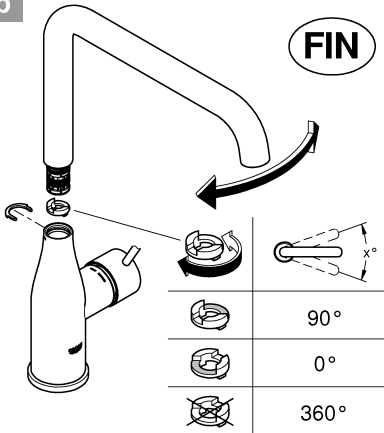


		150°
		0°
		360°

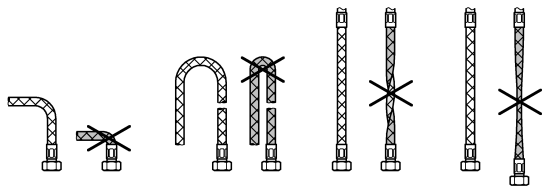
2

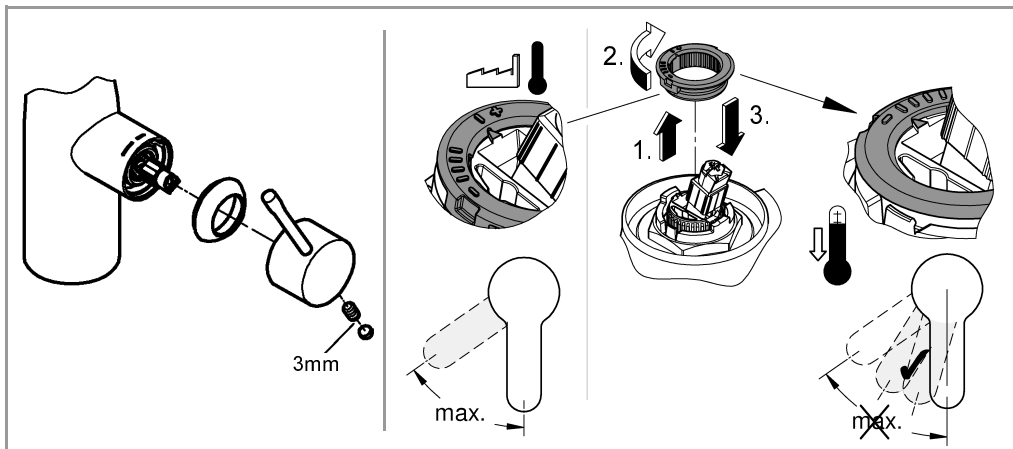
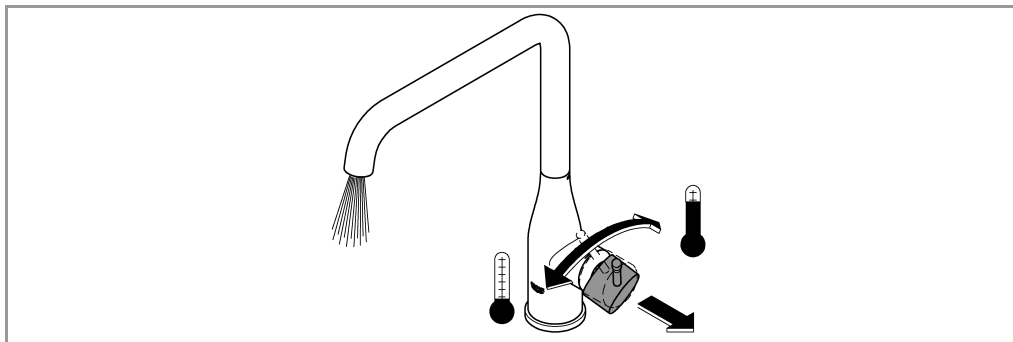
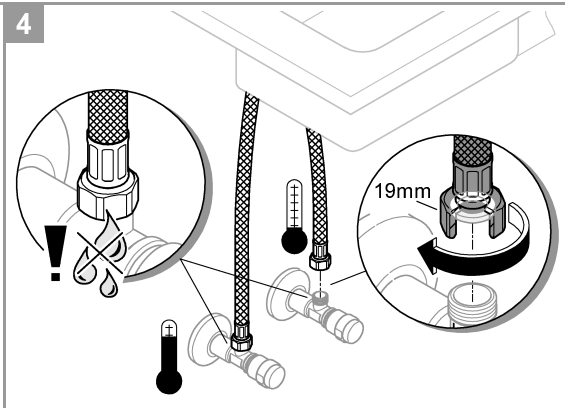
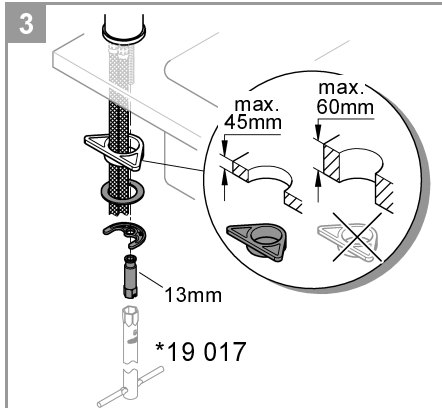


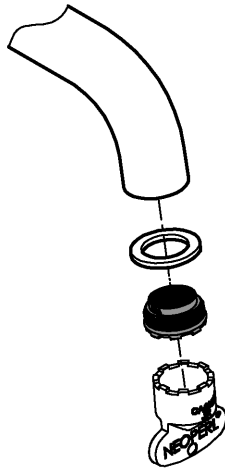
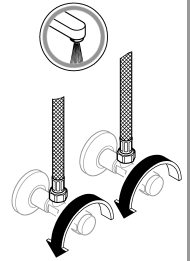
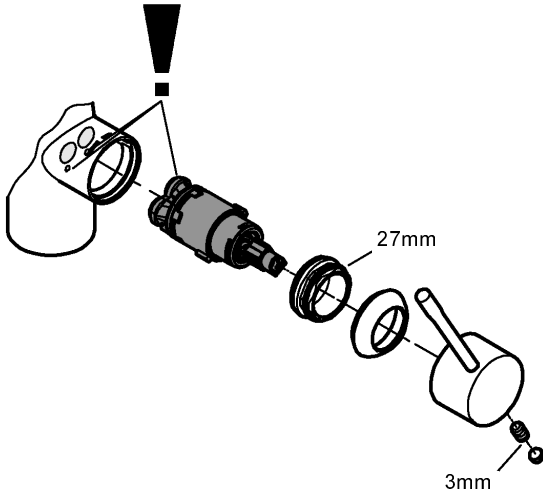
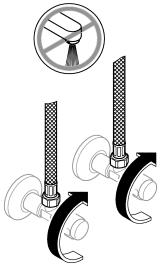
1b



		90°
		0°
		360°









A series of horizontal lines for writing, consisting of 20 evenly spaced lines extending across the width of the page.

