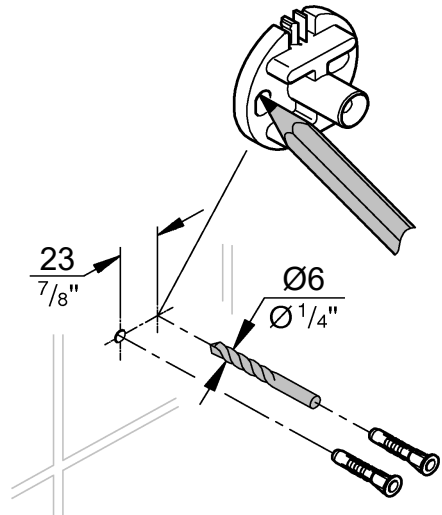
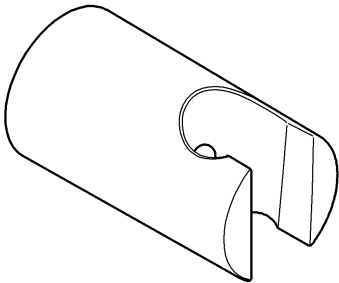
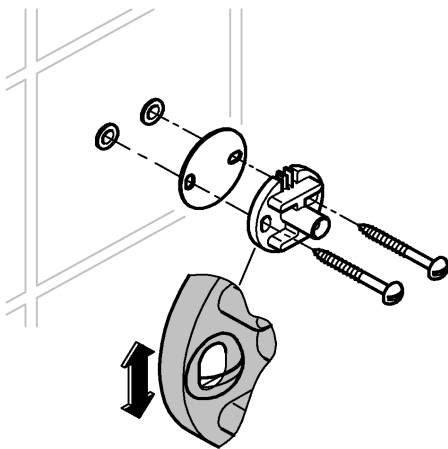


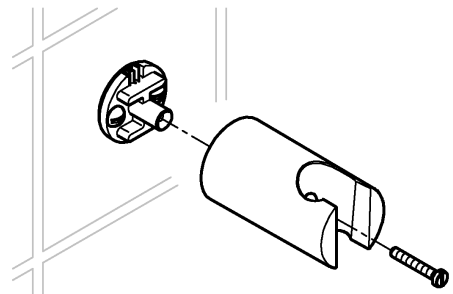
1

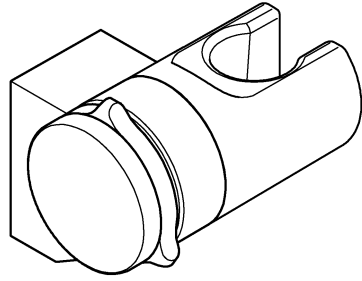
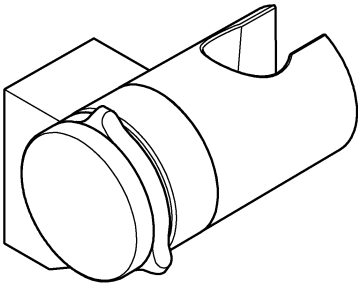


2

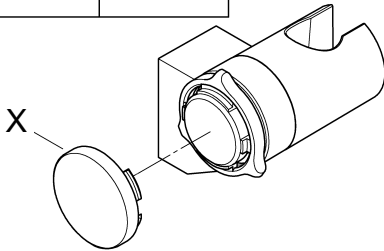


3

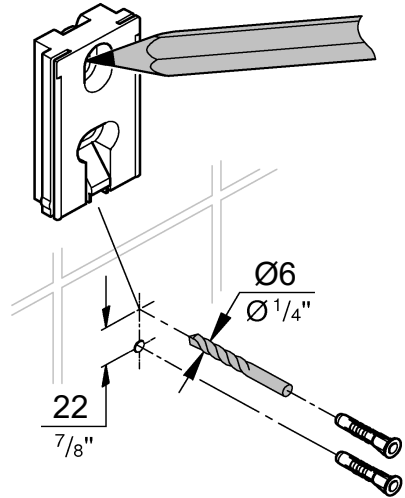




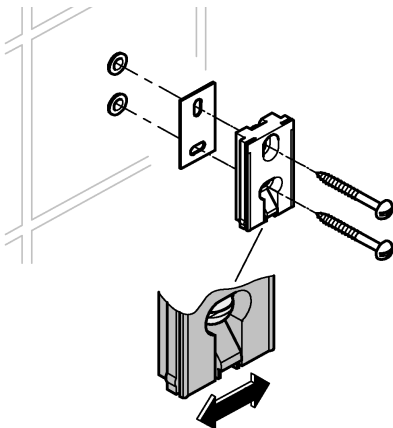
X	102 938	45 652



1



2



3

