

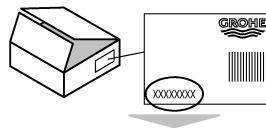
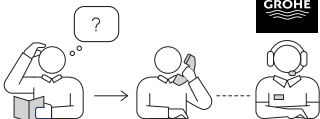
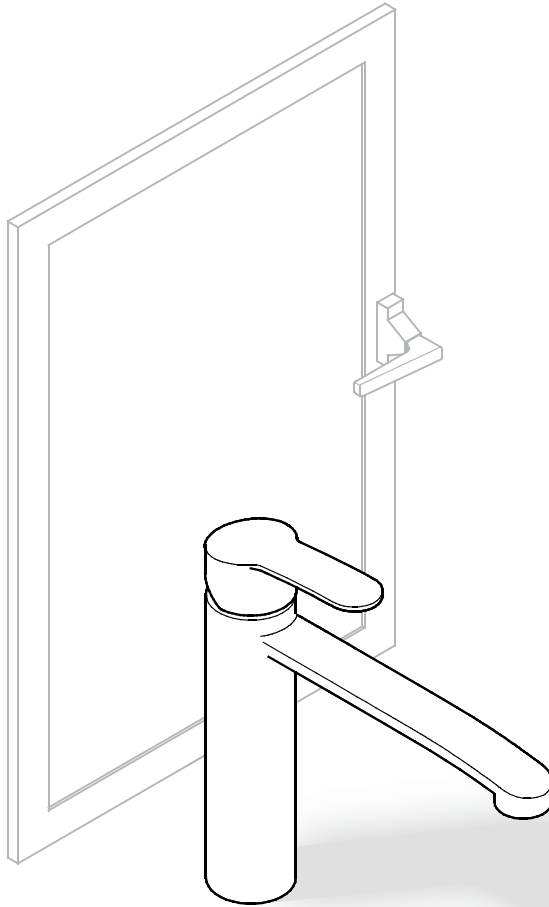
DESIGN + ENGINEERING
GROHE GERMANY

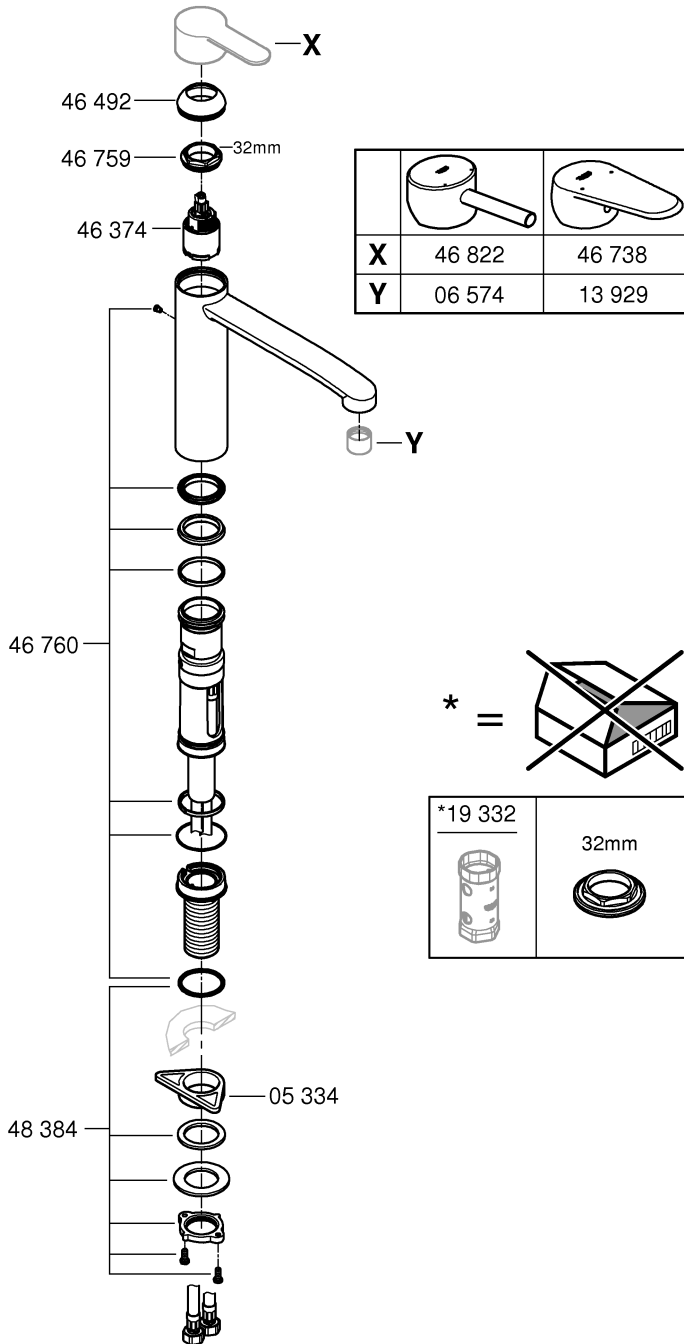
99.625.331/ÄM 251548/02.22

www.grohe.com

Pure Freude
an Wasser

GROHE
WAVES







DIN EN 806

DIN EN 1717

DIN 1988



bar

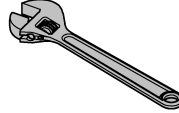
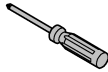


°C

max. 10
0,5



max. 70° thumbs up max. 60°

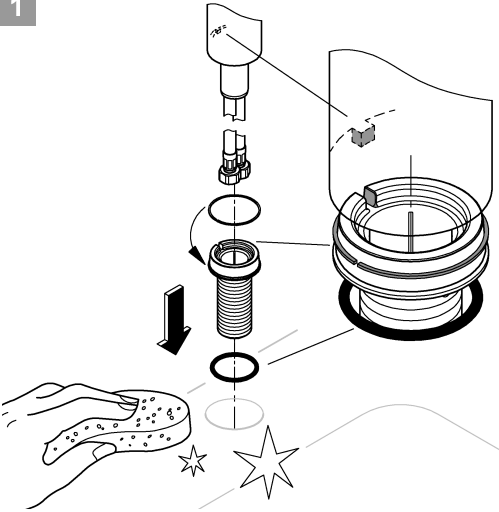


32mm

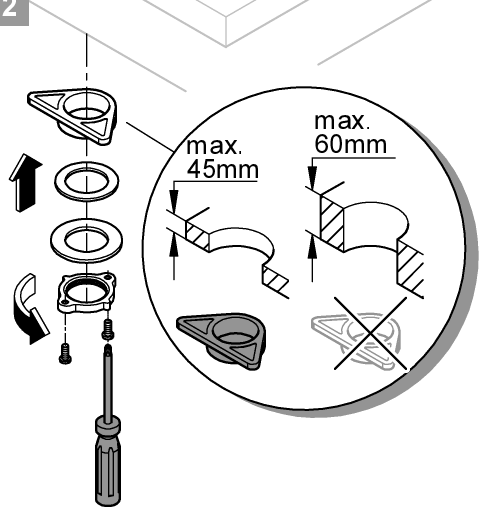
*19 332



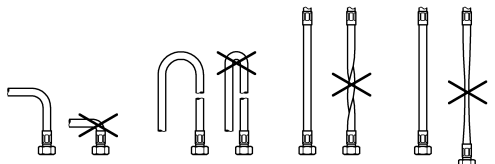
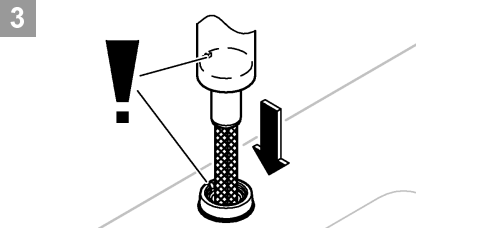
1



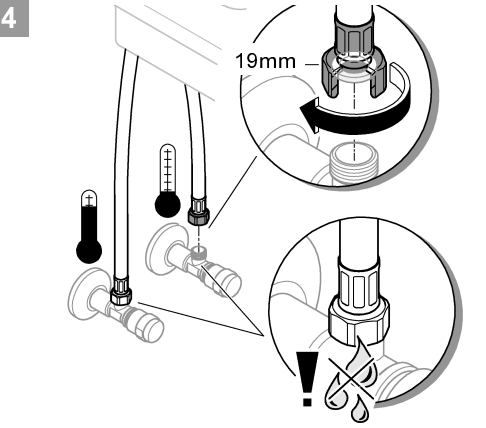
2

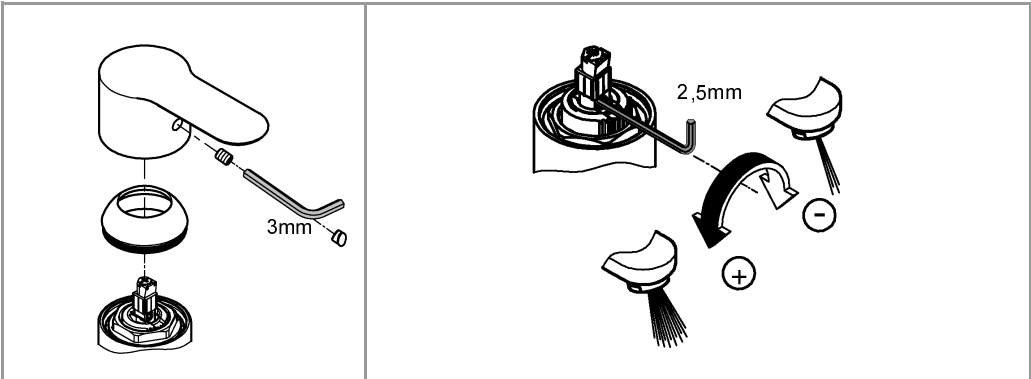
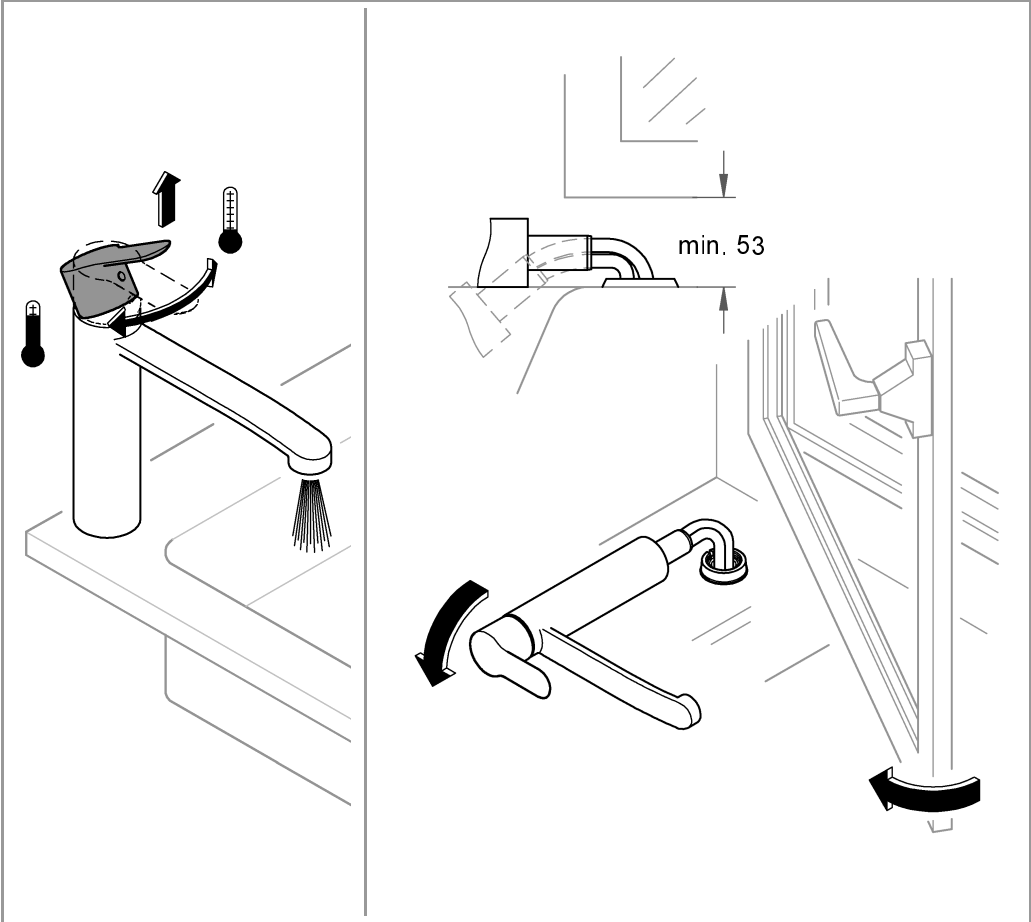


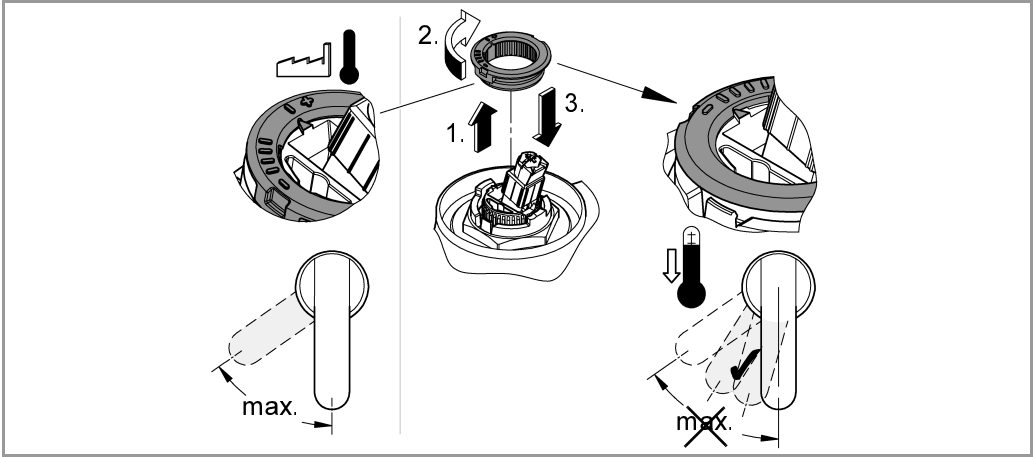
3



4







SERVICE

