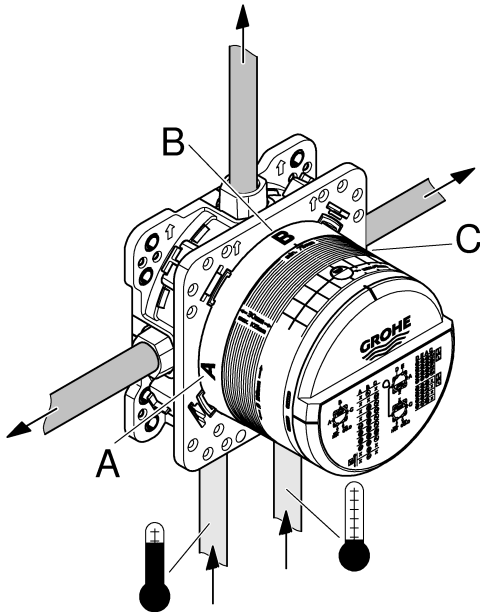
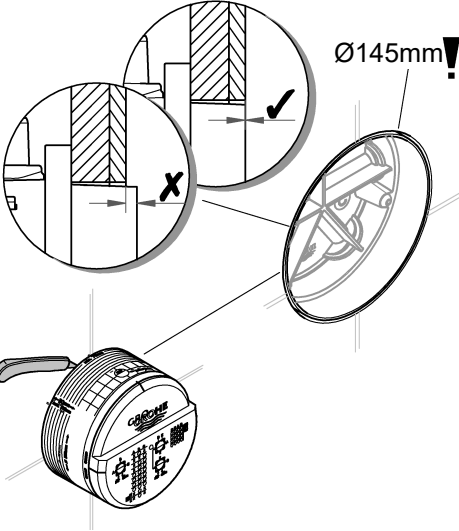
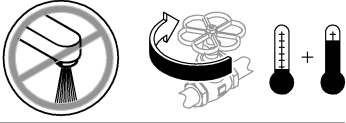
	kPa						
	100	200	300	400	500	600	
A	13,3	18,8	23	26,6	29,7	32,5	
B	15,6	22	27	31,2	34,9	38,2	
C	13,3	18,8	23	26,6	29,7	32,5	l/min
A+B	19,1	26,9	33	38,1	42,6	46,7	
A+B+C	20,8	29,4	36	41,6	46,5	50,9	

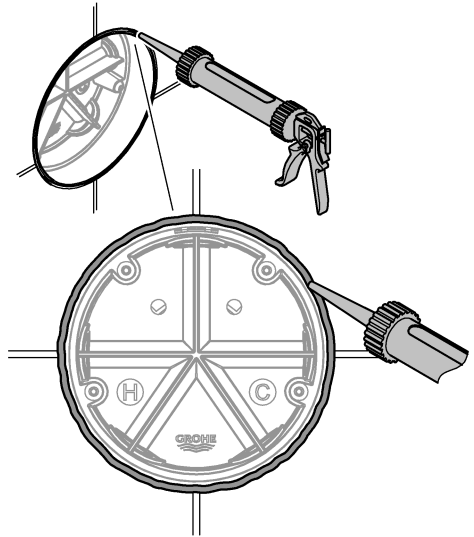




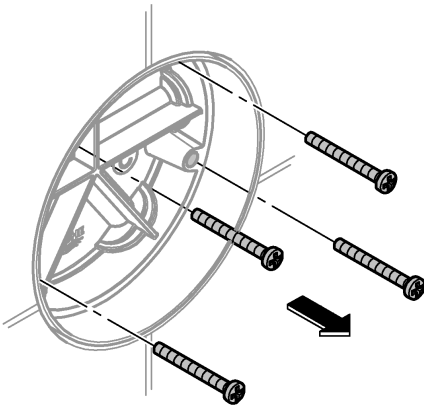
1



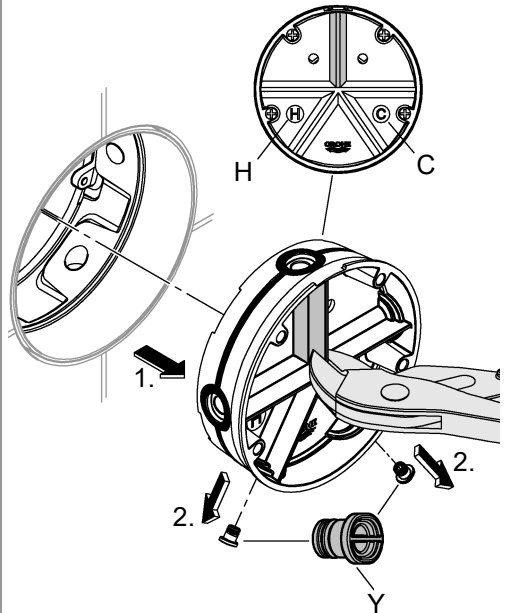
2



3

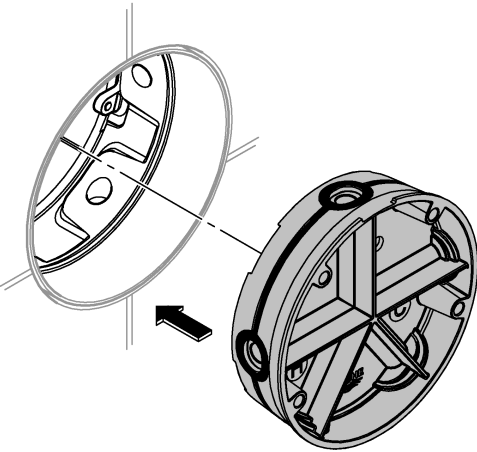


4

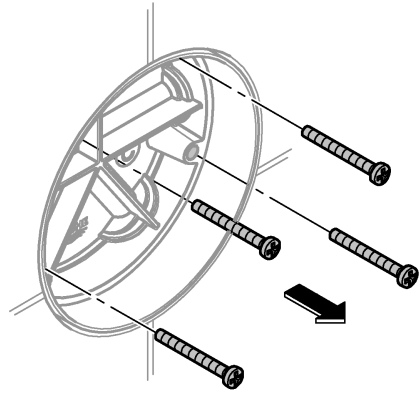




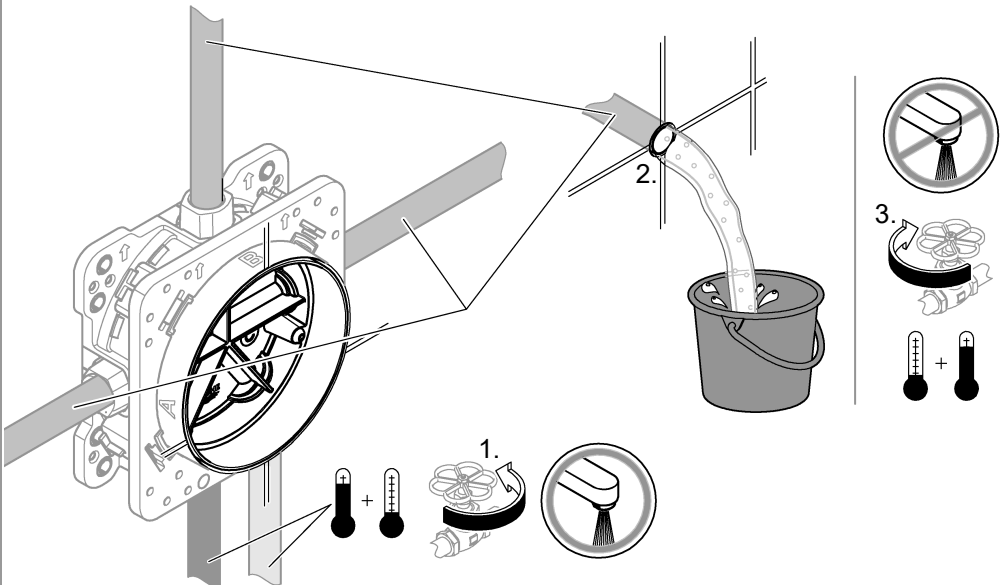
5



6

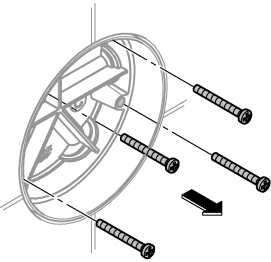


7

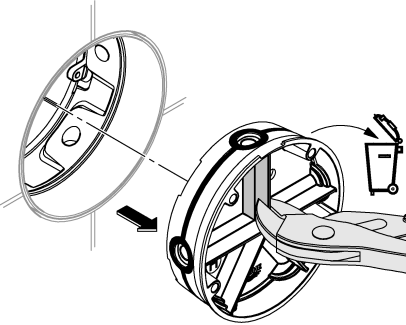




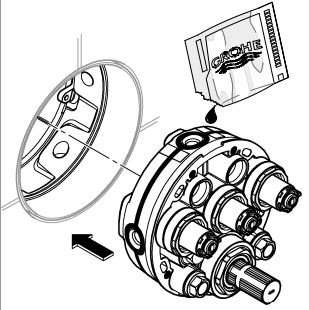
8



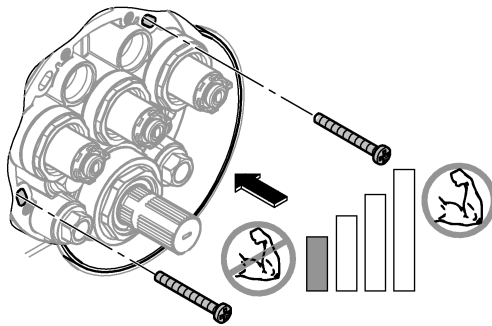
9



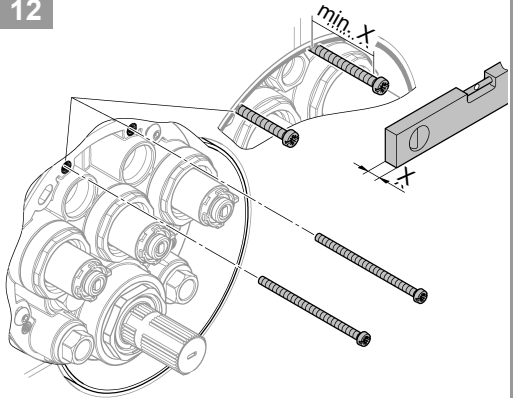
10



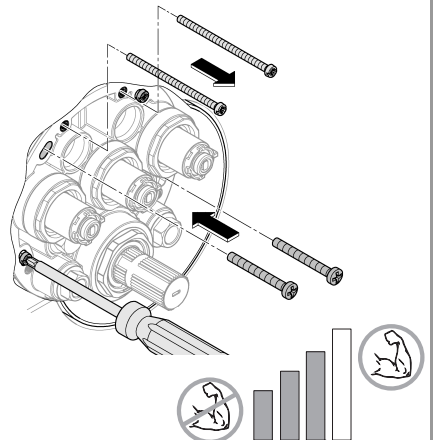
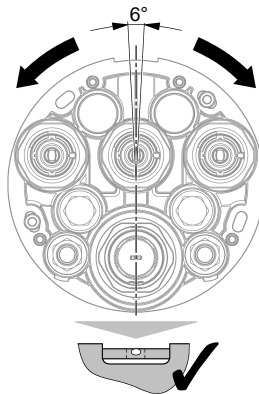
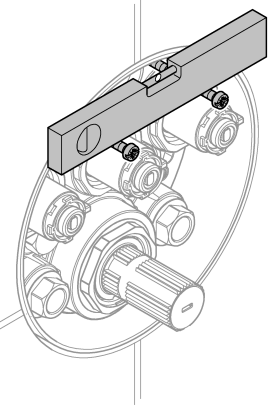
11

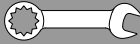


12

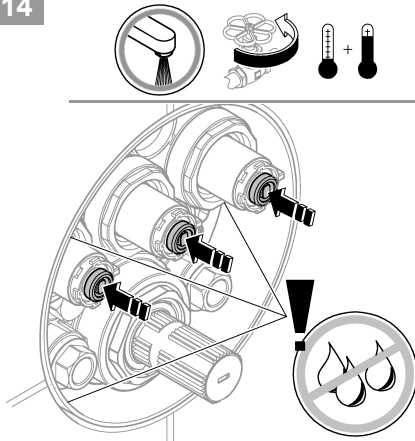


13

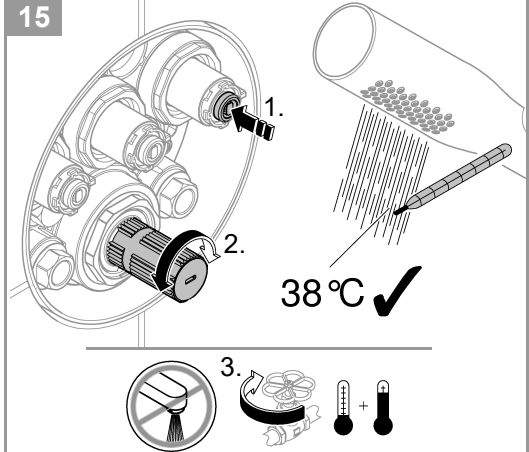




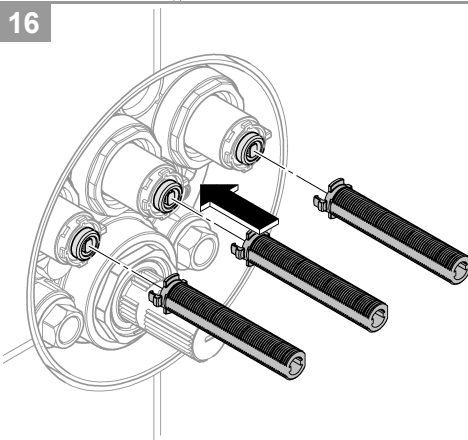
14



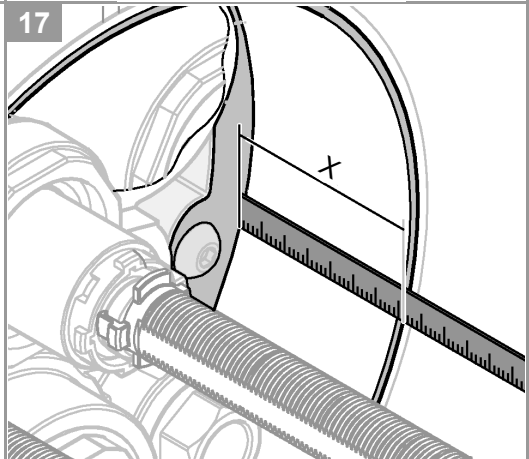
15



16

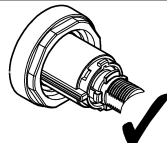
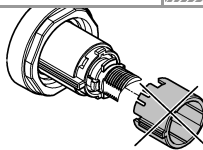


17

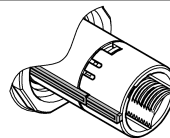
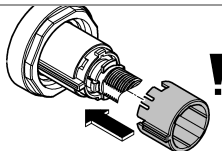


18

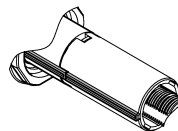
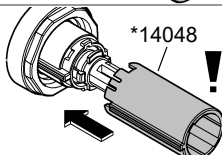
A
 $X < 40\text{mm}$



B
 $X = 40\text{mm}-55\text{mm}$

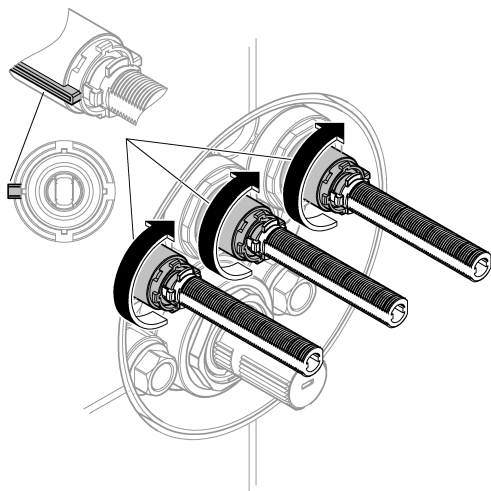


C
 $X = 55\text{mm}-80\text{mm}$

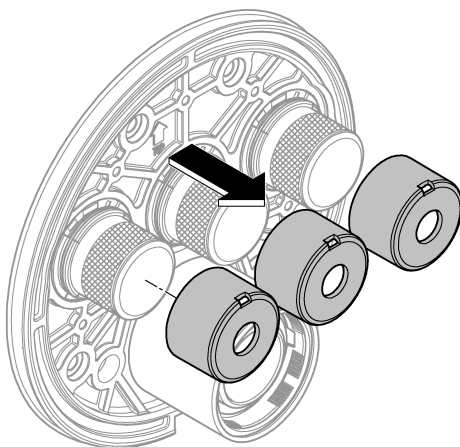




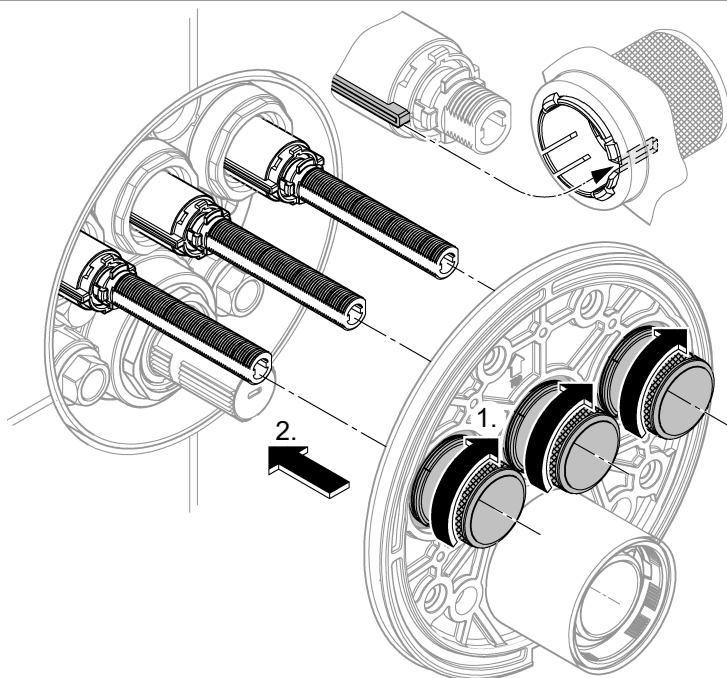
19



20

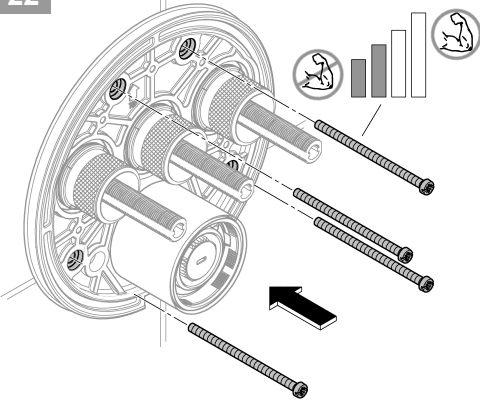


21

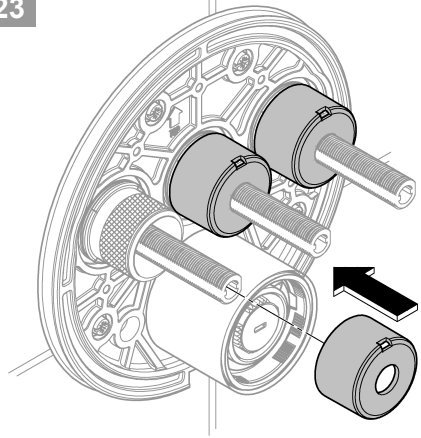




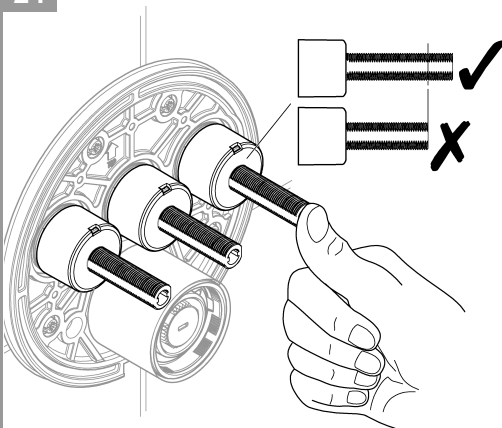
22



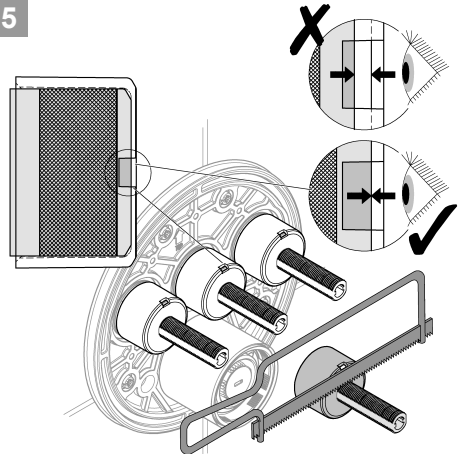
23



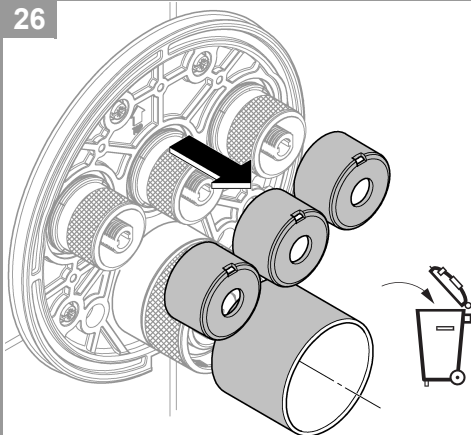
24



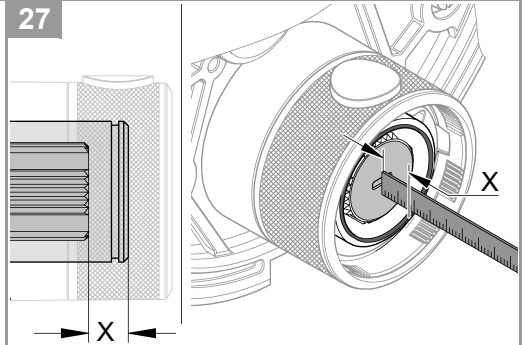
25



26



27

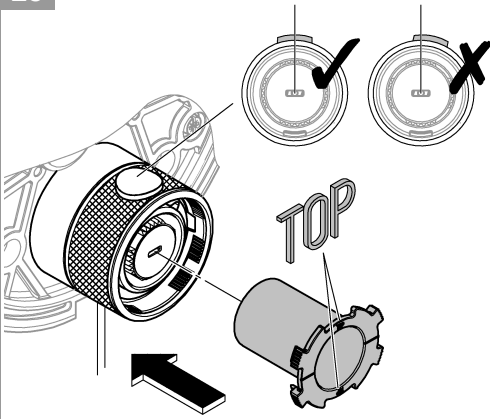


$X = < 29,5\text{mm}$ 28

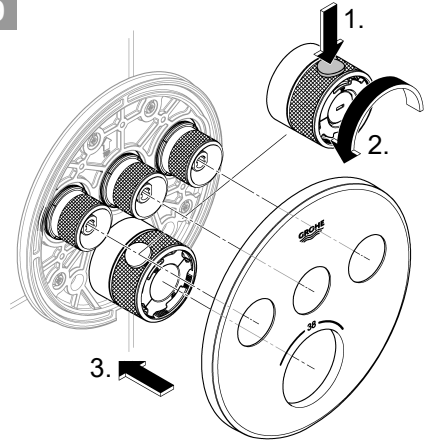
$X = > 29,5\text{mm}$ *14 048



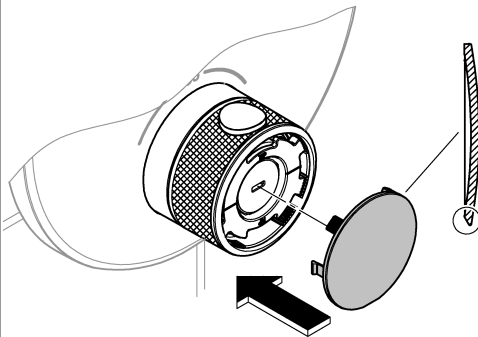
28



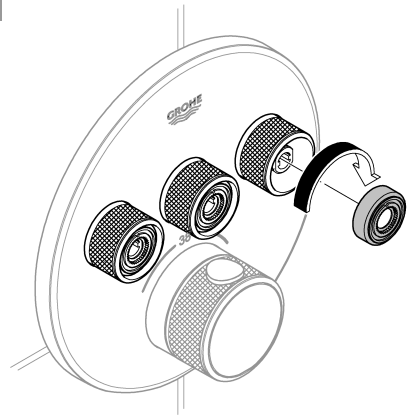
29



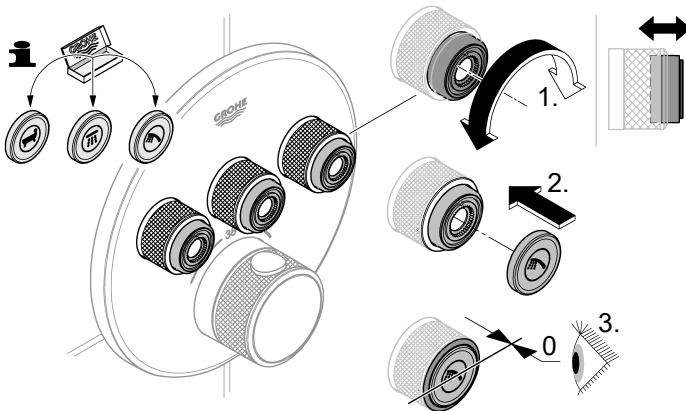
30

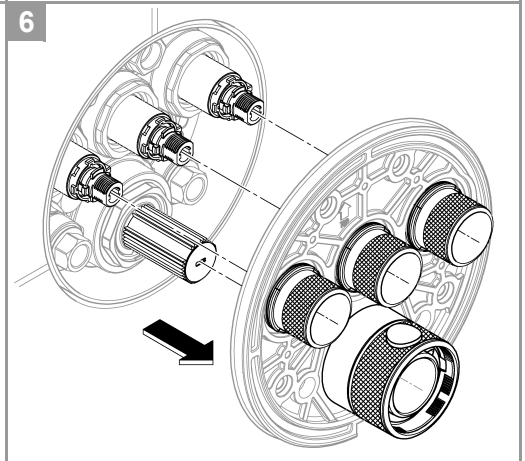
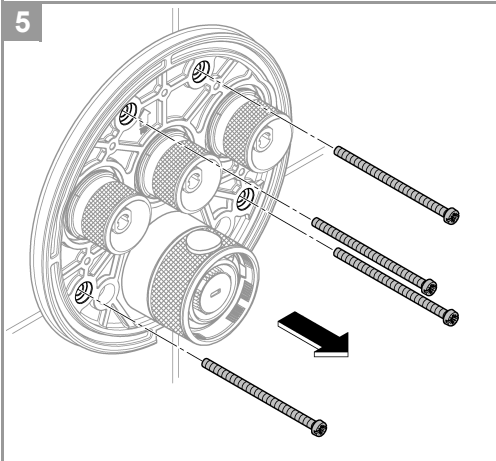
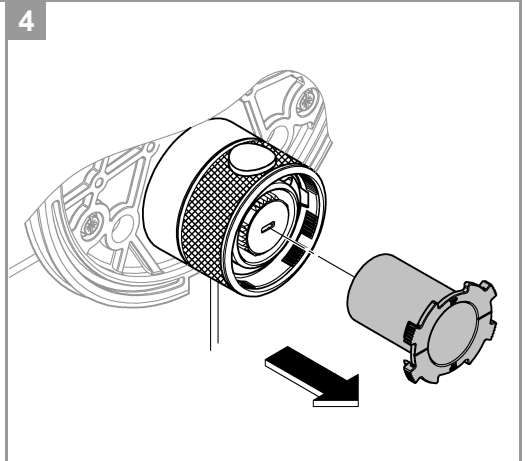
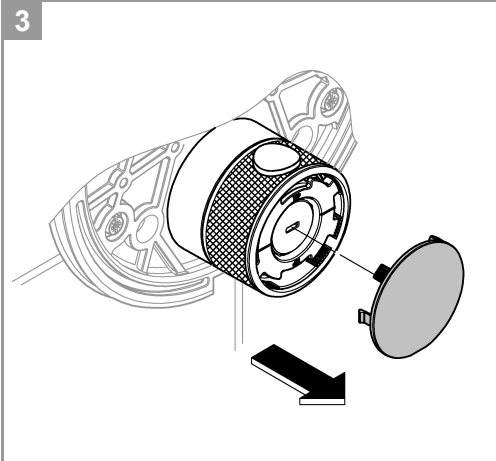
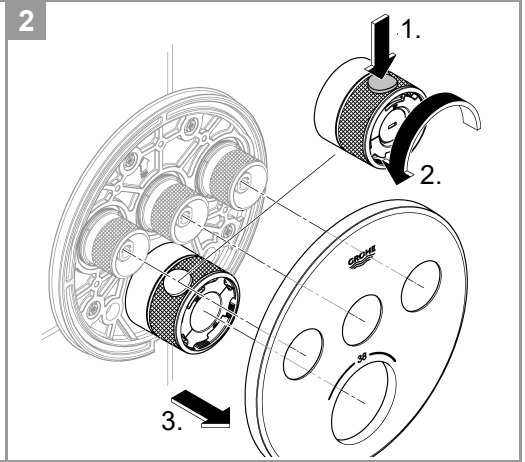
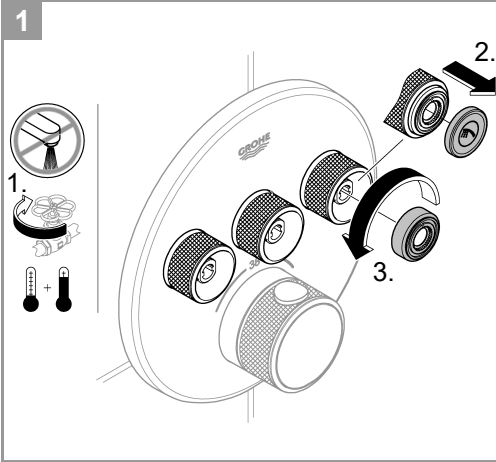


31



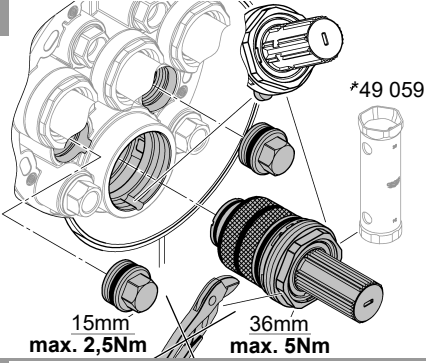
32



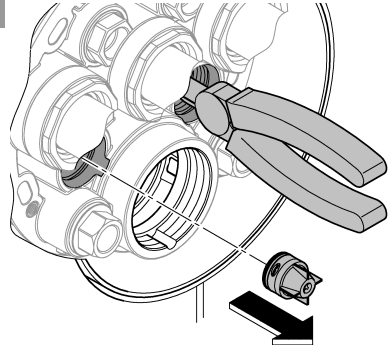




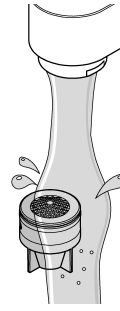
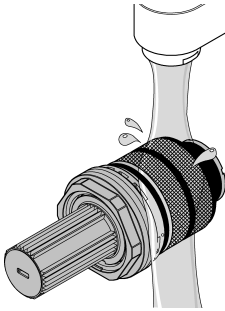
7a



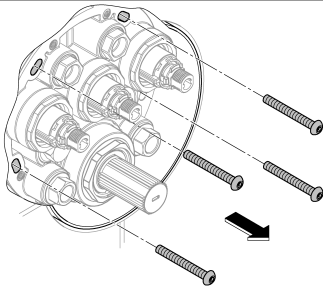
8a



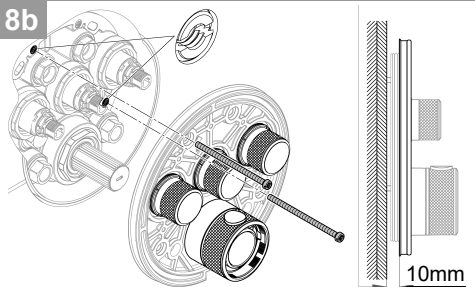
9a



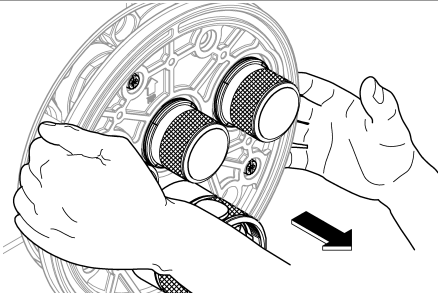
7b



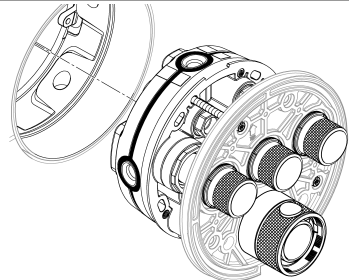
8b



9b



10b



Safety information



Avoiding scalding

It is recommended that thermostatic devices able to limit the water temperature to 43 °C be installed at points of discharge with special attention to the outlet temperature (hospitals, schools, nursing and retirement homes). This product is equipped with a temperature end stop. It is generally recommended that the temperature of shower systems not exceed 38 °C in nurseries and specific areas in care homes. Use Grotherm Special thermostats with special handles for facilitating thermal disinfection and with an appropriate safety end stop. Applicable standards (e.g. EN 806-2) and technical regulations for potable water must be observed.

Technical Data

- Flow pressure
- Minimum flow pressure without downstream resistances 50 kPa
- Minimum flow pressure with downstream resistances 100 kPa
- Recommended 150:500 kPa
- Minimum flow rate 5 l/min
- Temperature
- Hot water supply max. 70 °C
- Recommended for energy saving 60 °C
- Thermal disinfection possible
- Safety stop 43 °C
- Hot water temperature at supply connection min. 2 °C higher than mixed water temperature

Flow rates without downstream resistances, see page 1. **These should be observed when dimensioning the outlet!**

The following special accessories are available:

- Extension 25mm (prod. no.: 14 048)
- Isolating valves (prod. no.: 14 053)

Thermostat compact cartridge for exchanged water channels: Reversed connections, hot on right and cold on left, replace compact cartridge (prod. no.: 49 003)

Installation

This product must be installed in conformance with local codes e.g. AS/NZS 3500 series of standard!

- In order to flush, remove the plugs (Y), see page 2 Fig. [4].
- Open cold and hot water supply and check connections for watertightness!
- Alignment of functional unit by 6° possible.
- Measure valves, see page 5 Fig. [18]. For a dimension larger than 40mm, the enclosed extension must be used.

Adjusting to 38 °C

- Before the mixer is put into service if the mixed water temperature measured at the point of discharge varies from the desired temperature set on the thermostat, see page 5 Fig. [15].
- Every time following maintenance on the thermostatic compact cartridge.

Temperature limitation

The safety stop limits the temperature range to 38 °C. If a higher temperature is required, the 38 °C stop can be overridden by pressing the button.

Danger of frost damage

When the domestic water system is drained, the thermostats must be drained separately since non-return valves are installed in the hot and cold water connections.