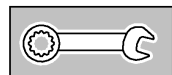
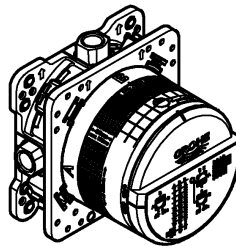
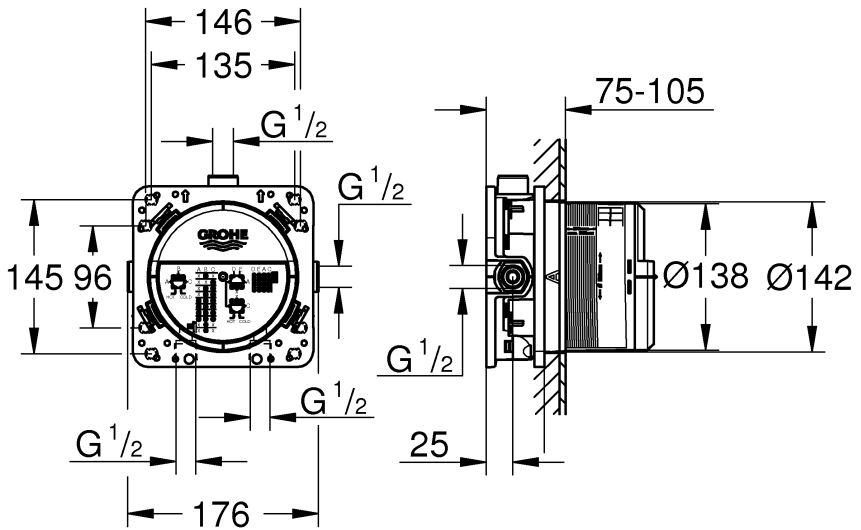
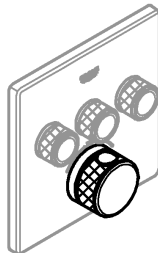


## 35 602



1-8

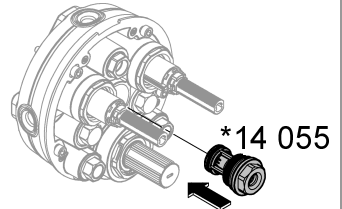
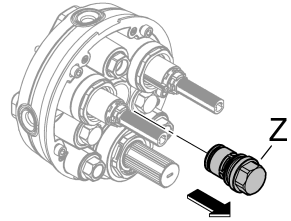
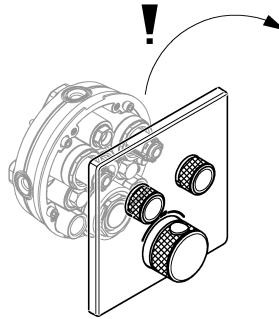
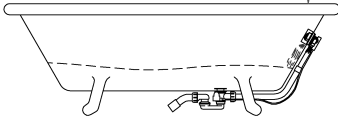
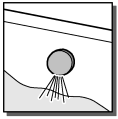
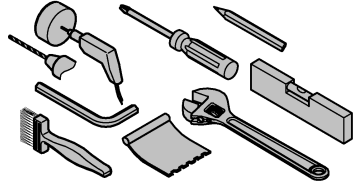
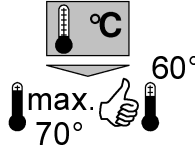


9-15

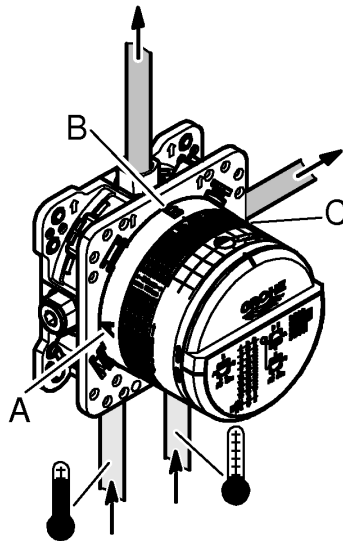
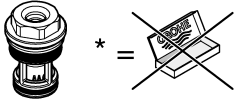


DIN  
1988

DIN EN  
806



\*14 055



## Applications

Operation is possible with:

- Pressurised storage heaters
- Thermally/hydraulically controlled instantaneous water heaters

Operation with unpressurised storage heaters (displacement water heaters) is **not** possible!

## Technical data

- Operating pressure: max. 1000 kPa

## Note:

This product must be installed in conformance with local codes e.g. AS/NZS 3500 series of standard!

To comply with noise levels if static pressure exceeds 500 kPa, a pressure reducing valve must be fitted.

For the combination with bath filler and overflow sets an approved safety device is prescribed according to EN 1717.

The following must be observed:

- For Grohtherm SmartControl and SmartControl Mixer with **two valves** the safety device (special accessories prod. no.: 14 055) can be screwed in instead of the pre-assembled plug (Z).
- The GROHE Rapido SmartBox must be mounted at least 300mm above the tub edge.

## Installation of the box

- Make drill holes for the box and slots for the pipes.
- Installation depth 75-105mm.
- If the box is installed too deeply an extension can be applied.

**Installation options**, see pages 3-5.

- Installation in studding
- Installation with spacers
- Installation directly on the wall
- Installation in the wall
- Installation on prefabricated house assembly plates or prefabricated shells

## Connecting the pipes

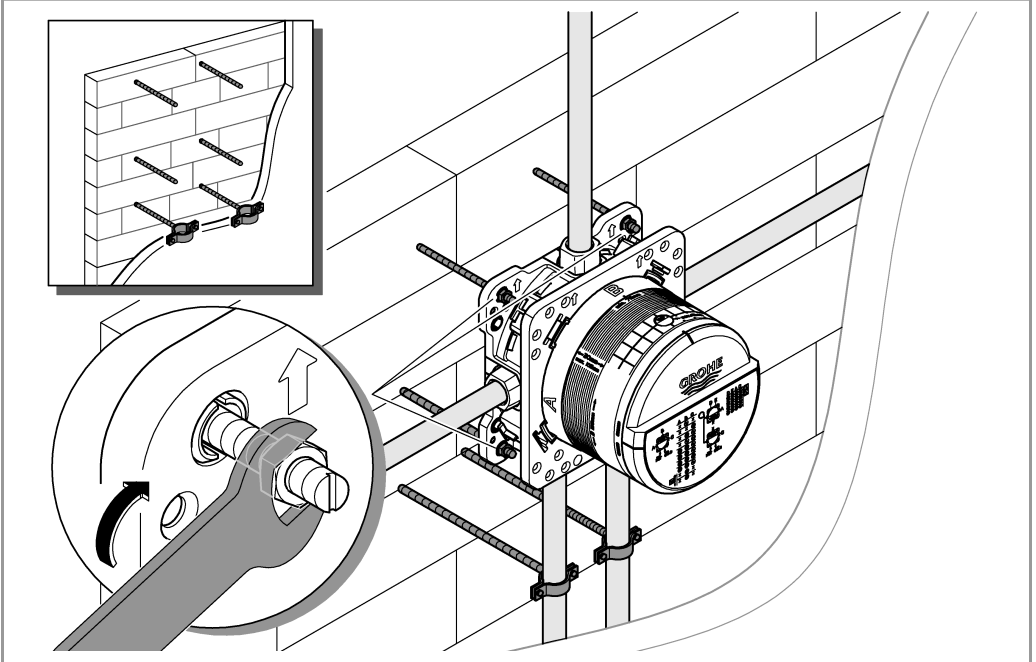
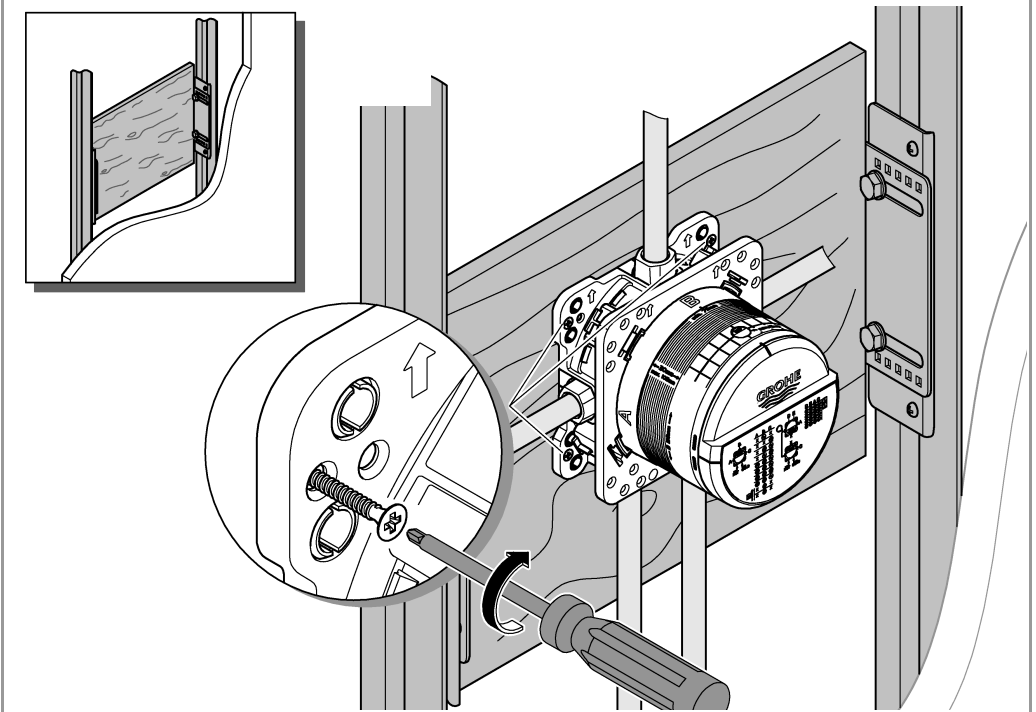
The outflows intended for this purpose are to be used.

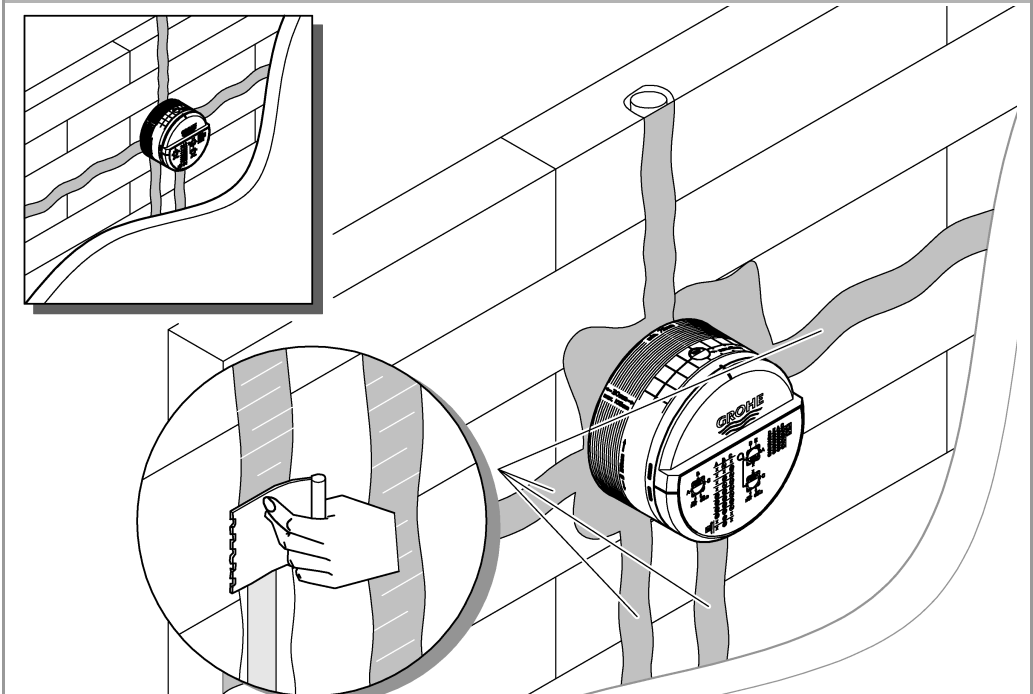
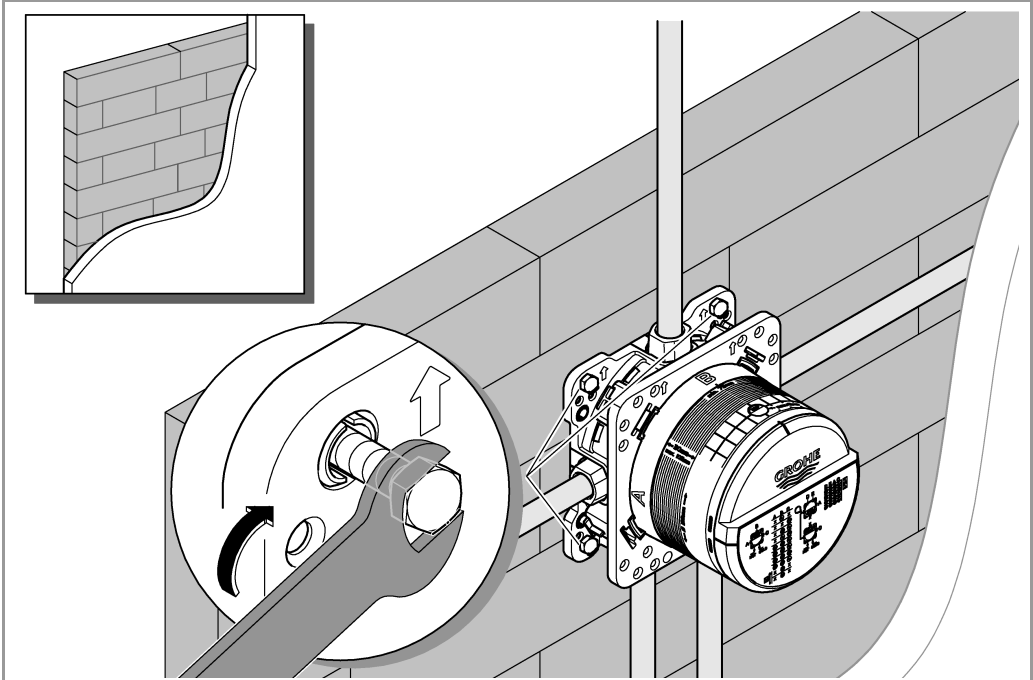
- Recommended configuration options, see from page 10.
- Non-binding outflows must be sealed with the accompanying plug (X).
- Check connections for water-tightness.
- Plugs (Y) must be assembled, see page 7, Fig. [6].

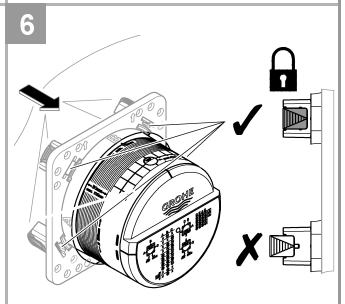
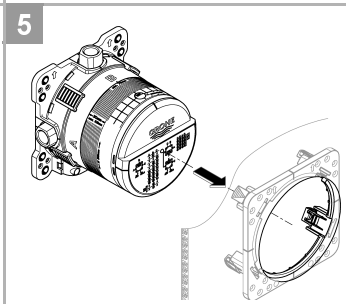
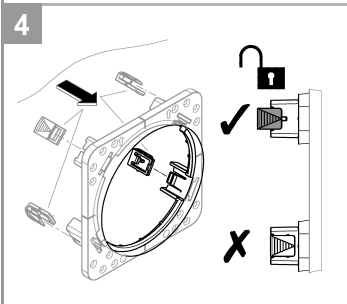
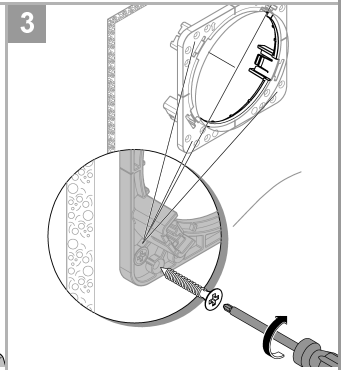
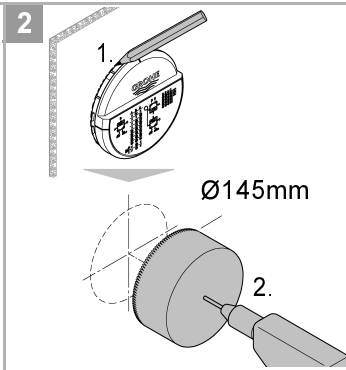
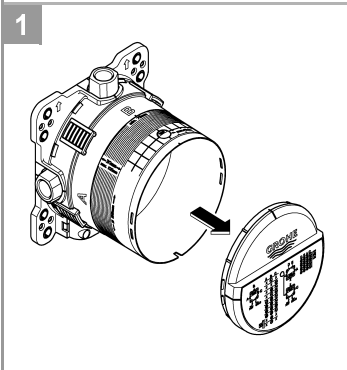
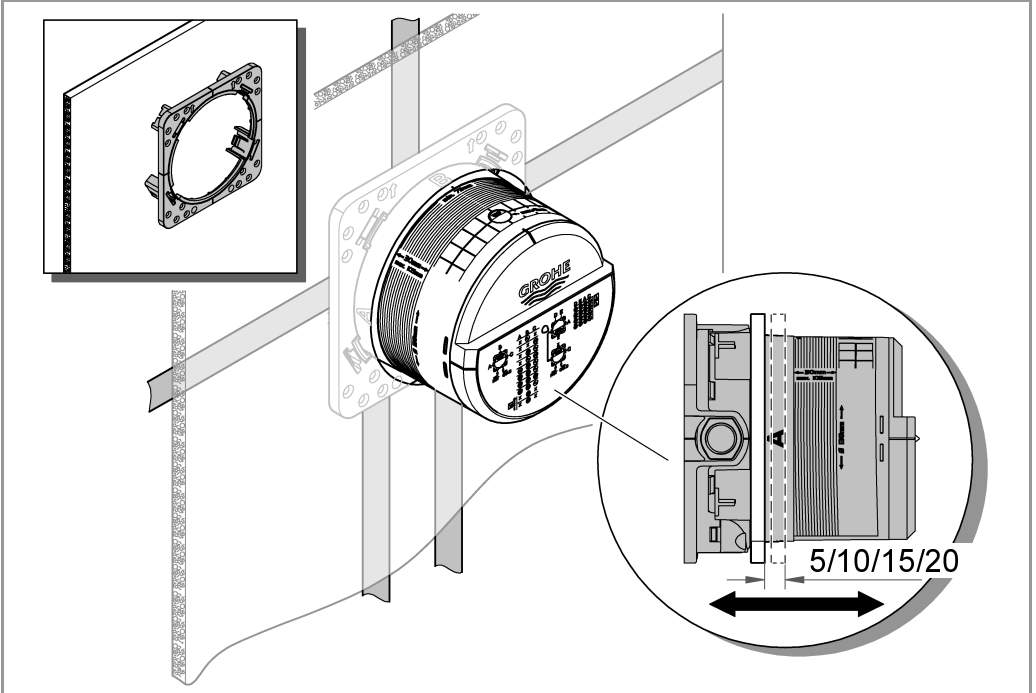
**Apply carrier material as sealant**, see page 8, Fig. [9] to [11].

## Plaster and tile the wall.

Do **not** cut the fitting template prior to final installation.

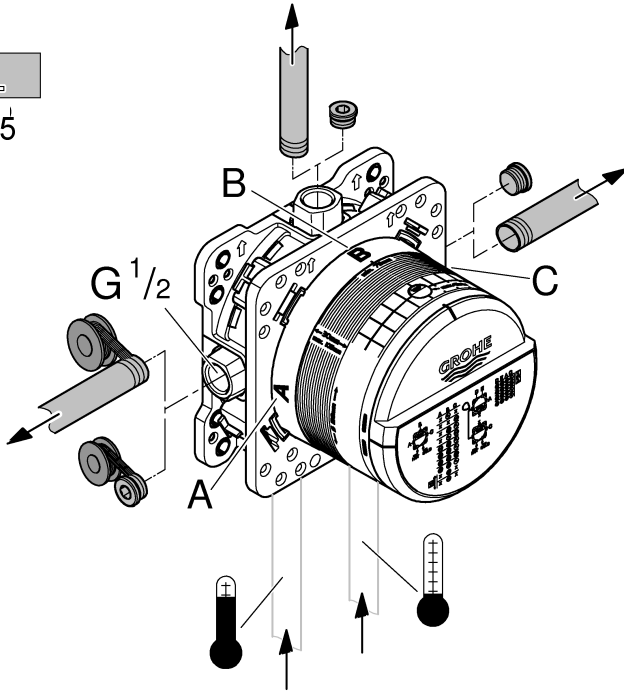
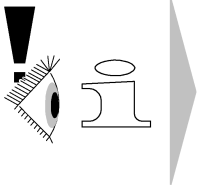
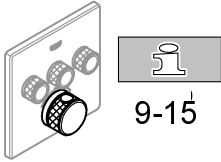




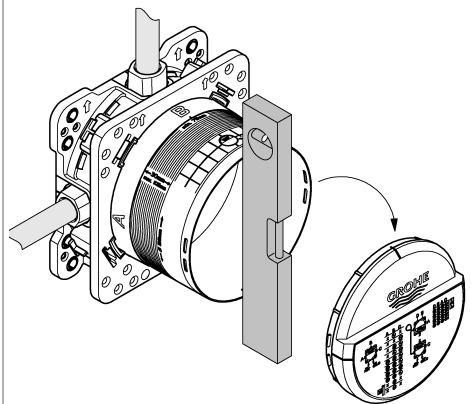
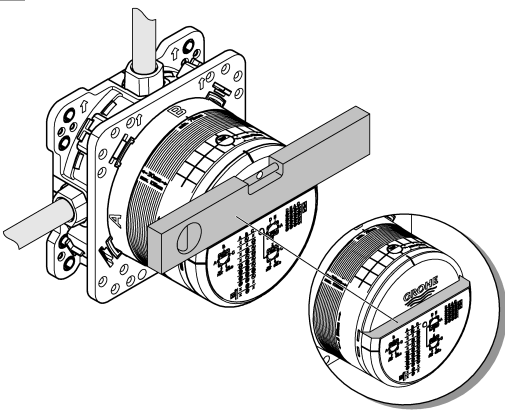




# 1 Grotherm Smart Control

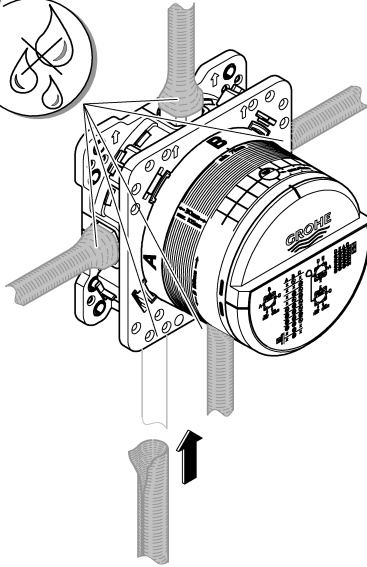


# 2

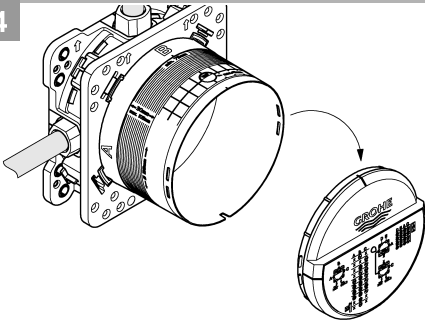




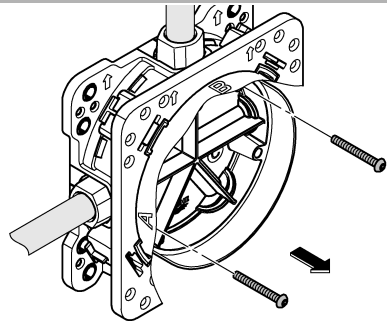
3



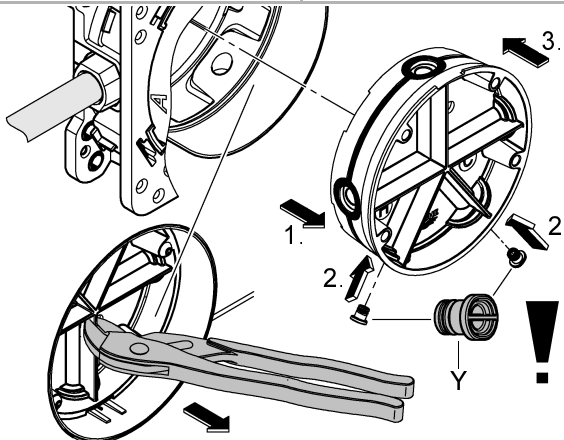
4



5



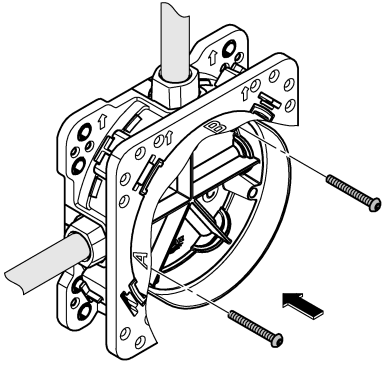
6



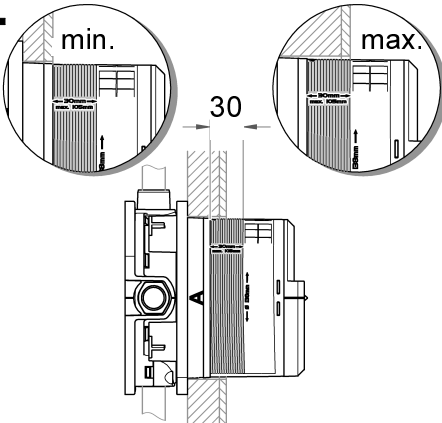
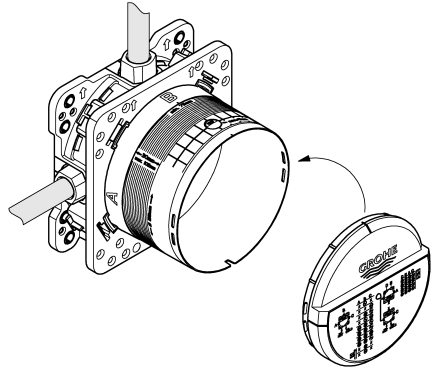




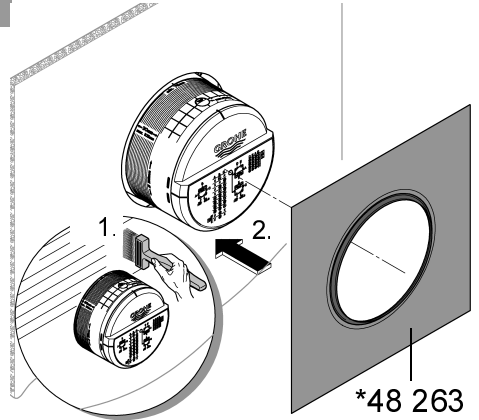
7



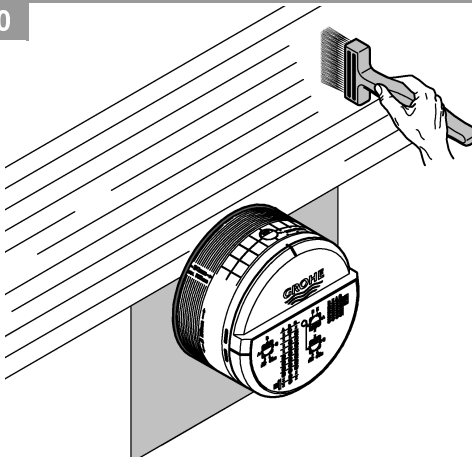
8



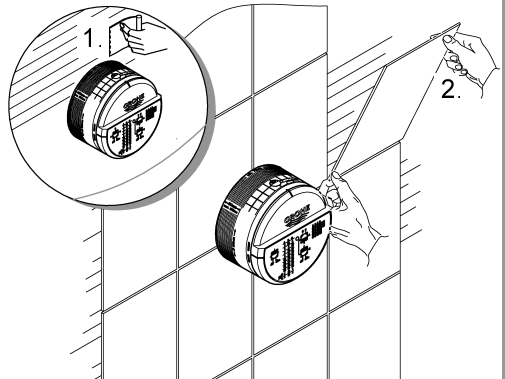
9



10



11



## Technical specifications Grohtherm SmartControl

- Flow pressure
  - Minimum flow pressure without downstream resistances 50 kPa
  - Minimum flow pressure with downstream resistances 100 kPa
  - Recommended 350 - 500 kPa
  
- Minimum flow rate 5 l/min
- Temperature
  - Hot water inlet max. 70 °C
  - Recommended for energy saving 60 °C
  - Thermal disinfection possible
  
- Hot water temperature at supply connection min. 2 °C higher than mixed water temperature

Flow rates without downstream resistances, see page 10-15. **These are to be observed when dimensioning the outlet!**

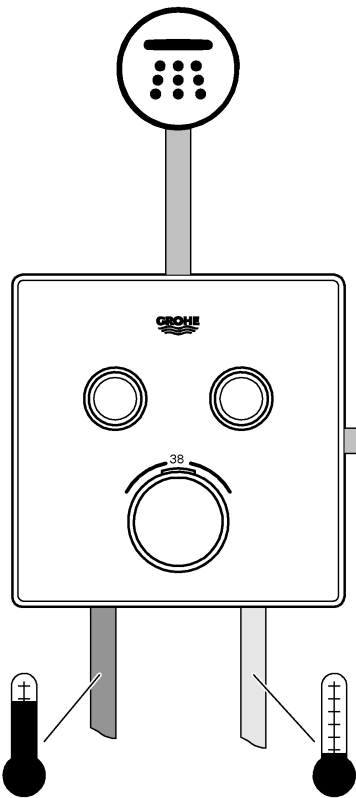
- Recommended configuration options, see from page 10.

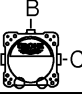
### **The following special accessories are available:**

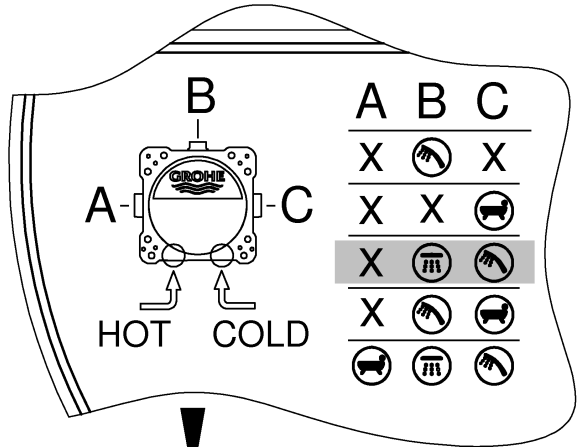
- Extension 25mm (prod. no.: 14 048)
- Safety device, only in combination with two valves (prod. no.: 14 055)
- Isolating valves (prod. no.: 14 053)
- Reversed connection, hot on right – cold on left replace thermostat cartridges (prod. no.: 49 003)



# Grotherm SmartControl



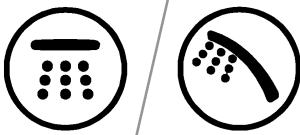
	kPa						l/min
	100	200	300	400	500	600	
B	13,9	19,6	24	27,7	31	33,9	
C	15	21,2	26	30	33,6	36,8	
B + C	16,7	23,7	29	33,5	37,4	41	



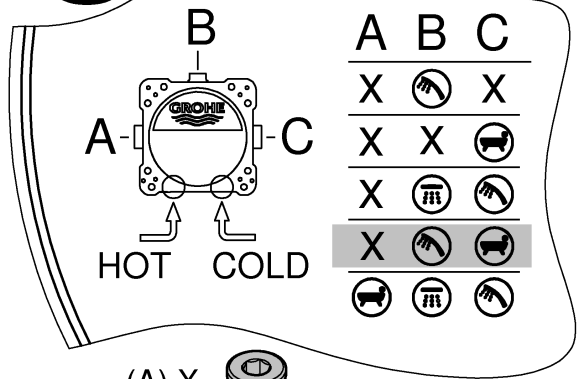
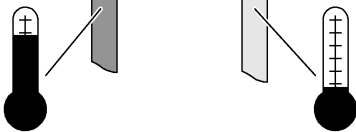
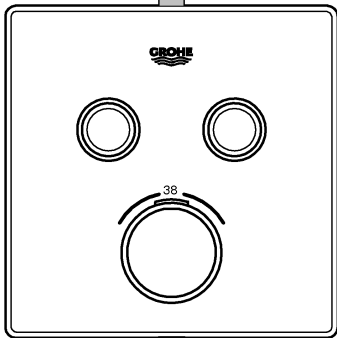
! (A) X=



# Grotherm SmartControl



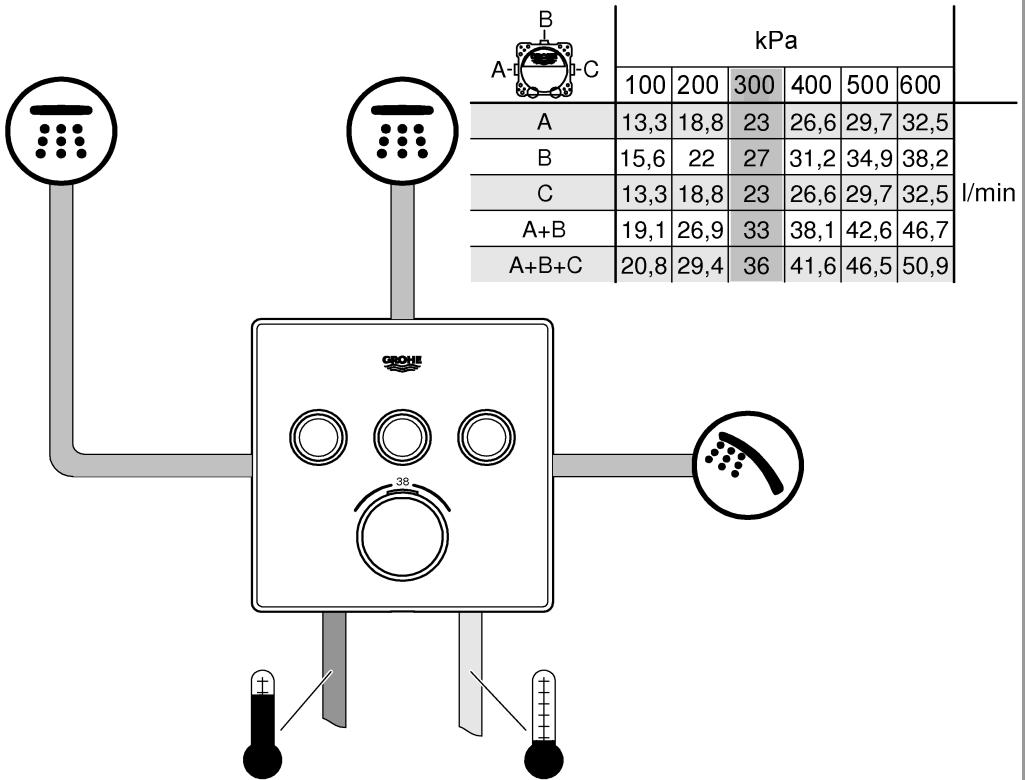
A	kPa						/min
	100	200	300	400	500	600	
B	13,9	19,6	24	27,7	31	33,9	
C	15	21,2	26	30	33,6	36,8	
B + C	16,7	23,7	29	33,5	37,4	41	



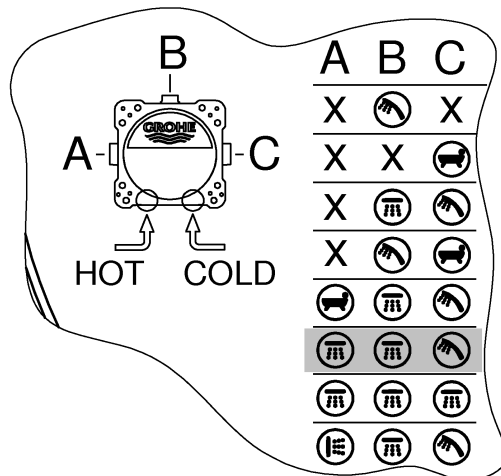
(A) X=



# Grotherm SmartControl

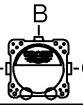


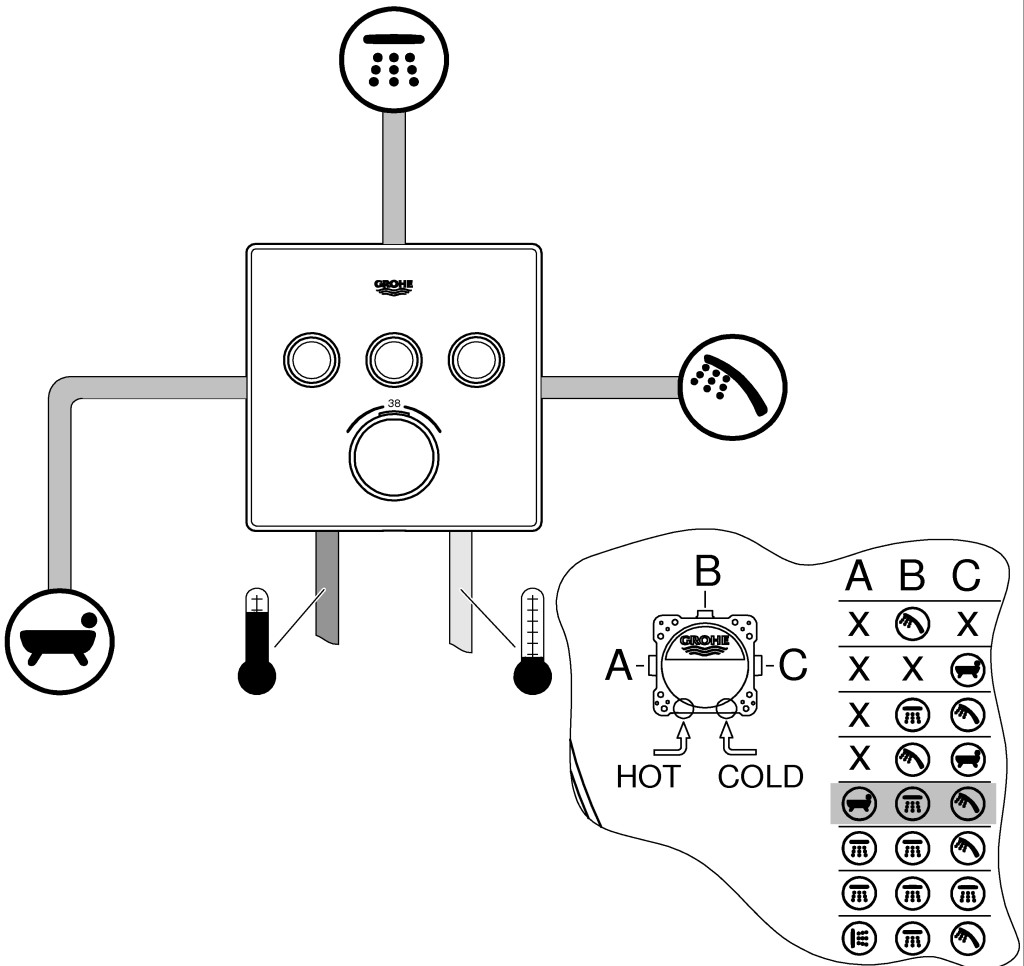
A-B-C	kPa						l/min
	100	200	300	400	500	600	
A	13,3	18,8	23	26,6	29,7	32,5	
B	15,6	22	27	31,2	34,9	38,2	
C	13,3	18,8	23	26,6	29,7	32,5	
A+B	19,1	26,9	33	38,1	42,6	46,7	
A+B+C	20,8	29,4	36	41,6	46,5	50,9	





# Grotherm SmartControl

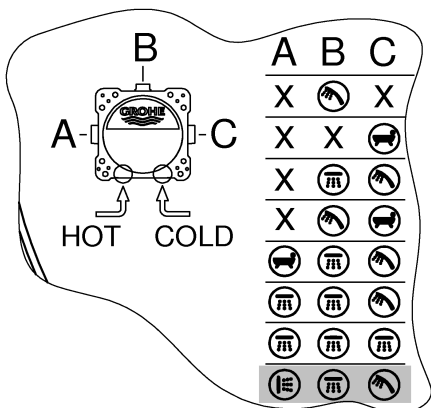
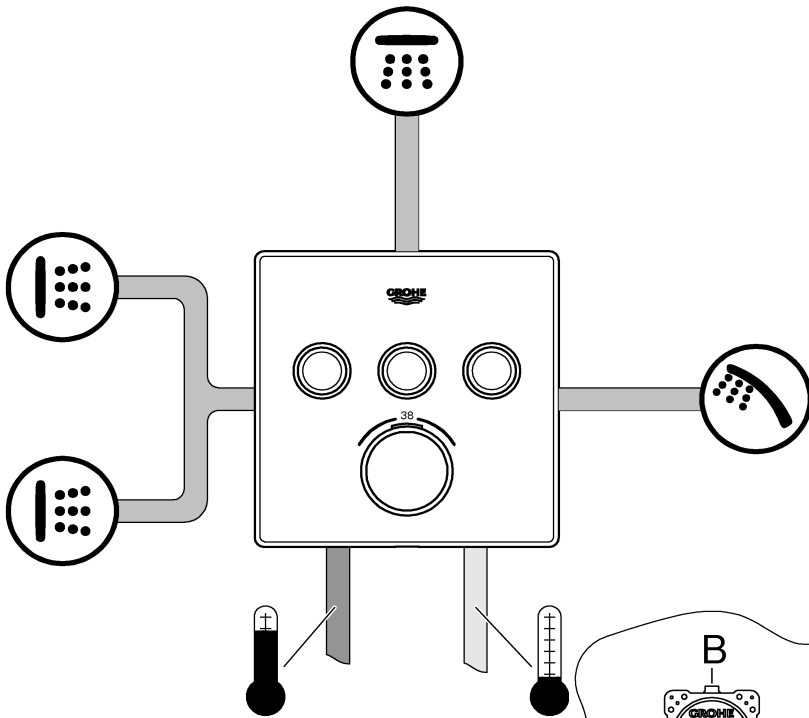
	kPa						l/min
	100	200	300	400	500	600	
A	13,3	18,8	23	26,6	29,7	32,5	
B	15,6	22	27	31,2	34,9	38,2	
C	13,3	18,8	23	26,6	29,7	32,5	
A+B	19,1	26,9	33	38,1	42,6	46,7	
A+B+C	20,8	29,4	36	41,6	46,5	50,9	





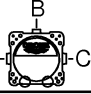
# Grotherm SmartControl

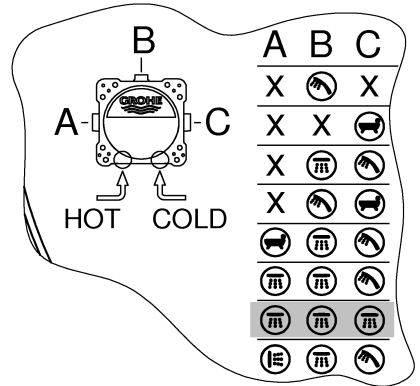
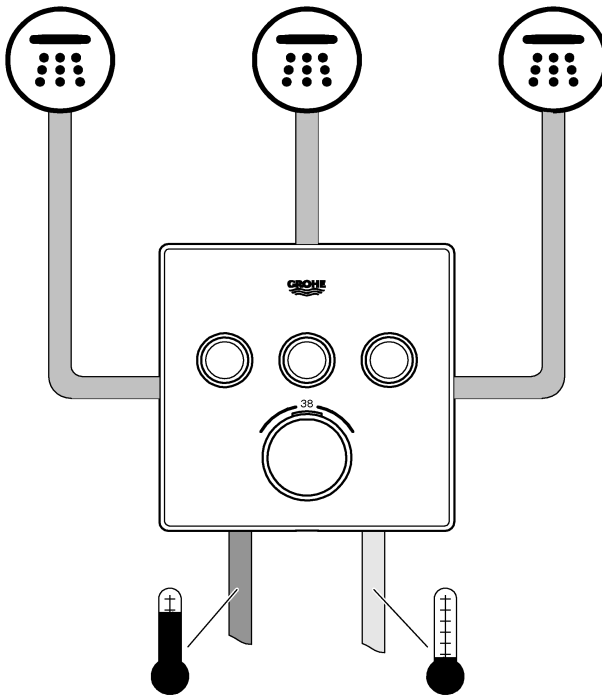
	kPa						l/min
	100	200	300	400	500	600	
A	13,3	18,8	23	26,6	29,7	32,5	
B	15,6	22	27	31,2	34,9	38,2	
C	13,3	18,8	23	26,6	29,7	32,5	
A+B	19,1	26,9	33	38,1	42,6	46,7	
A+B+C	20,8	29,4	36	41,6	46,5	50,9	





# Grotherm SmartControl

	kPa						l/min
	100	200	300	400	500	600	
A	13,3	18,8	23	26,6	29,7	32,5	
B	15,6	22	27	31,2	34,9	38,2	
C	13,3	18,8	23	26,6	29,7	32,5	
A+B	19,1	26,9	33	38,1	42,6	46,7	
A+B+C	20,8	29,4	36	41,6	46,5	50,9	



AUS

Tel.: 1800 080 055  
 Email:  
[customer.care@reece.com.au](mailto:customer.care@reece.com.au)



NZ

Tel.: +64 09 573 0490  
 Email: [sales@robertson.co.nz](mailto:sales@robertson.co.nz)