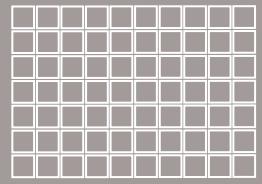


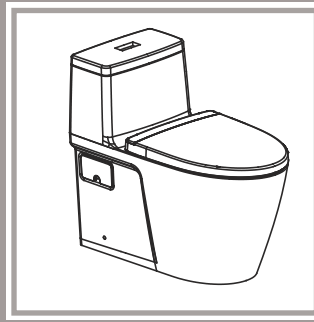
VORTEX OP TOILET



39315000

97.0052.031/ECN 252507/12.21

Installation Manual



Thank you for selecting our products which have been the benchmarks of fine quality for years. To help ensure that the installation process will proceed smoothly, please read these instructions carefully before you begin. Also review the recommended tools and materials in the list, carefully unpack and examine your new plumbing fixture.

ALL INSTALLATION PROCEDURES MUST COMPLY IN STRICT ACCORDANCE WITH APPLICABLE LOCAL PLUMBING AND BUILDING CODES.

Remark : This installation manual is only for installing the ceramic parts. For the tank or seat & cover installation, please refer to its respective manual.

RECOMMENDED TOOLS AND MATERIALS

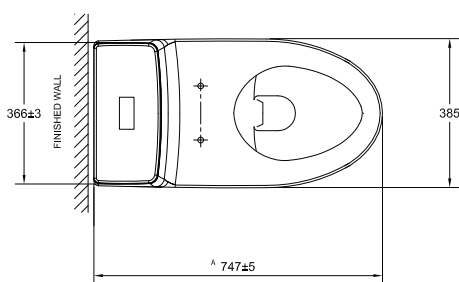
Putty Knife	Adjustable Wrench	Channel Lock Pliers	P plumber's Putty or Caulking	Phillips Screwdriver
Pipe Wrench	Drill	Tape Measure	Level	Regular Screwdriver
		Hacksaw		

PRODUCT DIMENSIONS

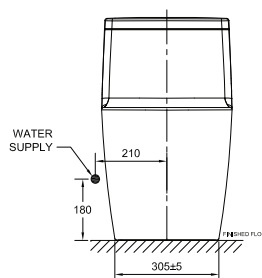
Dimension diagrams are provided for each model.

Unit : mm

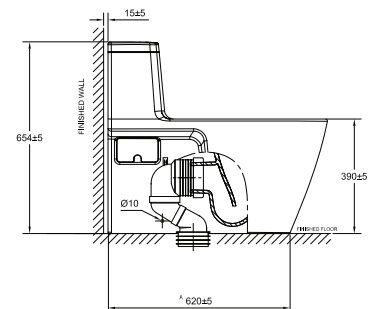
Note: dimensions are nominal and may vary within the range of manufacturing tolerances.



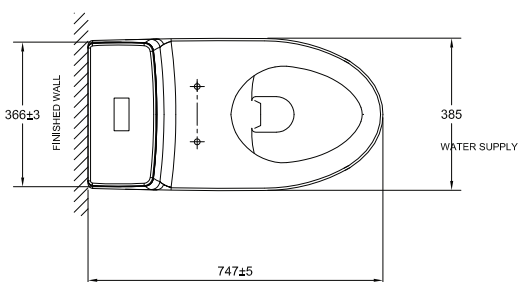
TOP VIEW



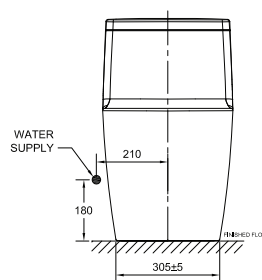
FRONT VIEW



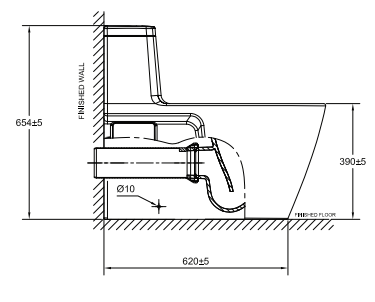
SIDE VIEW



TOP VIEW

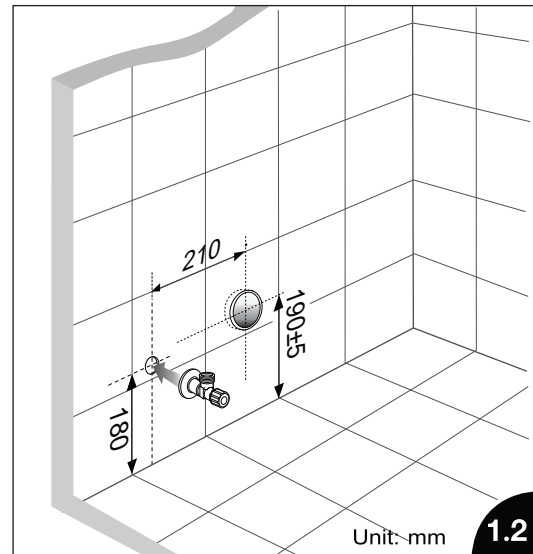
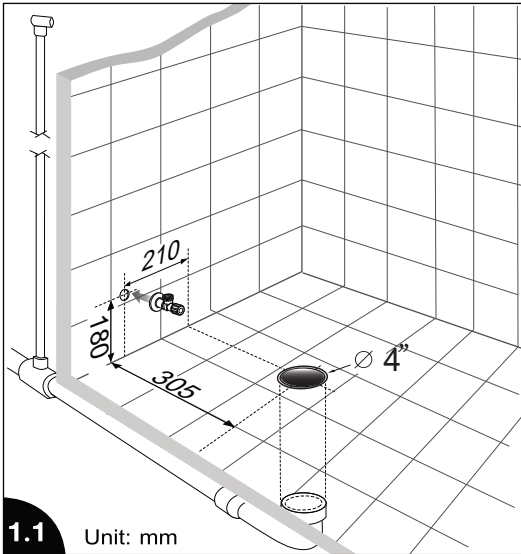


FRONT VIEW



SIDE VIEW

PIPING PREPARATION AND CONNECTING WASTE PIPE AND WATER SUPPLY VALVE

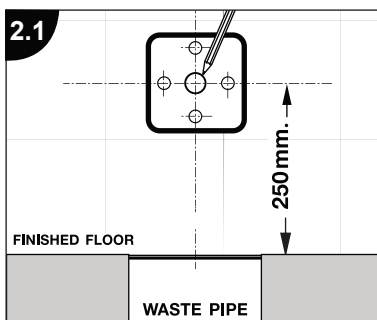


WATER SUPPLY PIPE : Connecting size $\text{Ø } \frac{1}{2}$ ''

WASTE PIPE (Fig.1.1 / 1.2) : Size 4'' (PVC. pipe class 8.5 or a regular pipe with an internal diameter of 102 mm.) at the connecting point with the toilet and a gradient of 2 cm. per 100 cm.

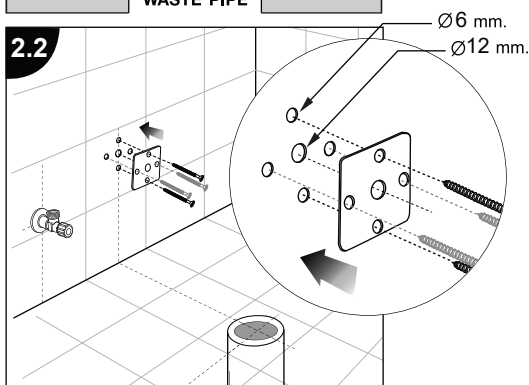
AIR VENT : Size not smaller than $\text{Ø } 1\frac{1}{2}$ '' and must be connected directly to the waste pipe.

INSTALL THE STRUT BY WALL FIXING



2.1 Install the strut plate in the wall on the specified location.

2.2 To drill the specified location of the strut plate in the wall.

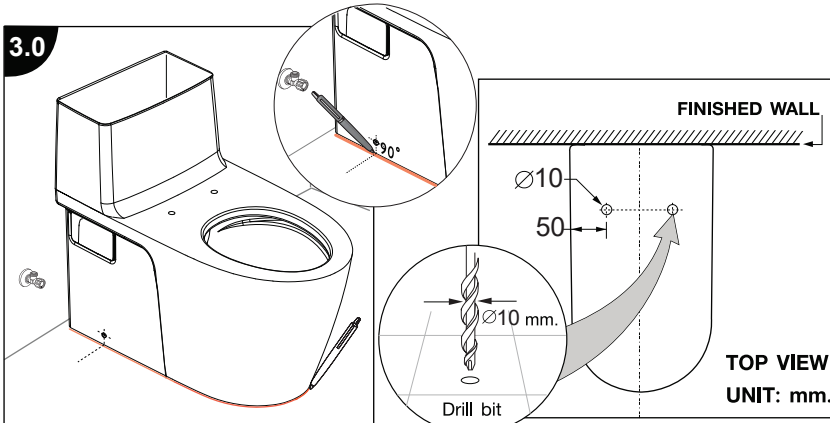


* The figure show side view of the hole depth

3

FLOOR FIXING SET INSTALLATION

3.0



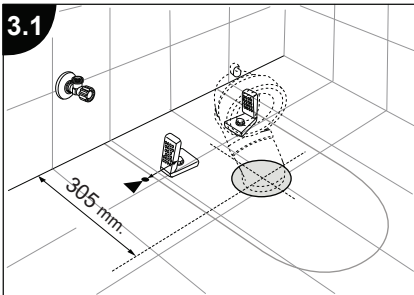
3.0) Set properly the VC. on the floor, mark the fixing hole 90° into the floor.

3.1) For connector follow the dimension shown in the figures 3.1.

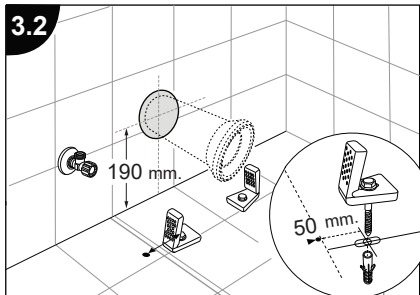
For connector follow the dimension shown in the figures 3.2 and mark the location to be drilled.

3.2) Using 10 mm. Ø masonry drill bit, bore the specified holes in the floor by following dimensions shown in the figures.

3.1



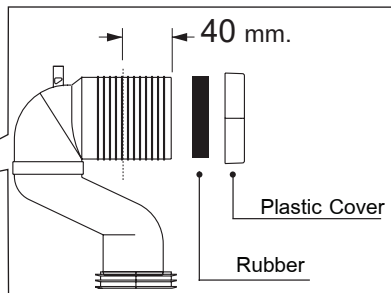
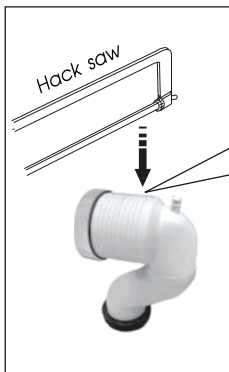
3.2



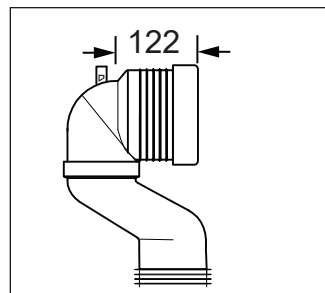
4

CUTTING OF PLASTIC CONNECTOR

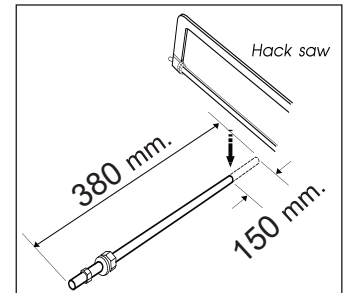
CUTTING GUIDE ROUGHING-IN 305 MM.



- Remove connector parts before cutting.



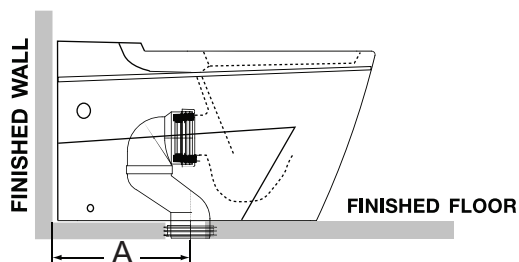
- Shows the connector after cutting.



- Cutting of support rod as figure shown.

CUTTING OF PLASTIC CONNECTOR

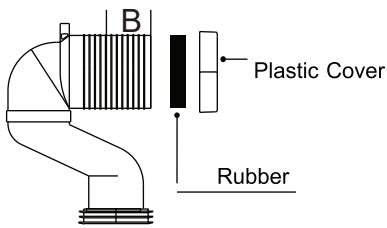
CUTTING GUIDE IN CASE THE ROUGHING-IN IS NOT ON 305 MM.



A = Length to trap way dimension to the wall.

B = Length of the connector to cut out.

C = Length of rod the connector to cut out.



- It shows the connector before cutting.



- It shows the rod strut before cutting.

- In case length of "A" is less than 305 mm. but not lower than 245 mm.

$$B = 40 - (305 - A)$$

$$C = 150 + (305 - A)$$

- In case length of "A" is greater than 305mm. but not over than 340 mm.

$$B = 40 + (A - 305)$$

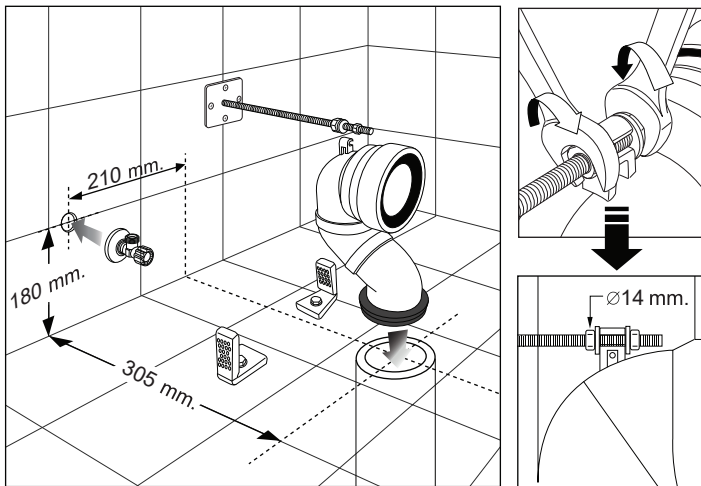
$$C = 150 - (A - 305)$$

Remark :

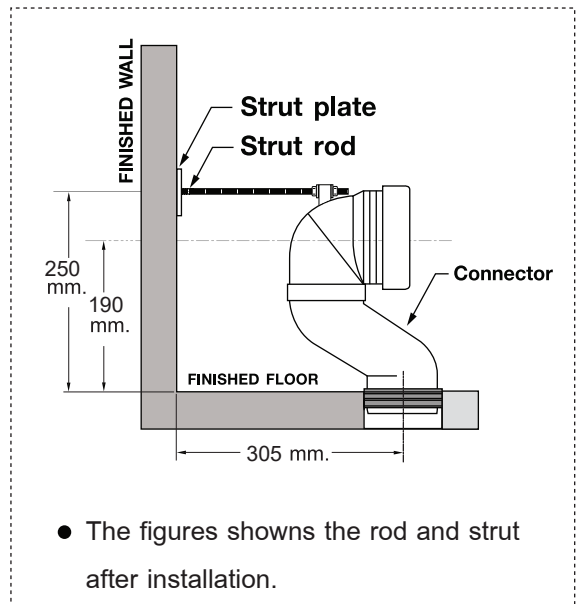
- Length of "A" is less than 245 mm. can not do installation.
- Length of "A" is greater than 340 mm. big space will occurred from wall to tank.

5

INSTALL THE ROD WITH THE PLATE STRUT AND TOGETHER WITH WASTE CONNECTOR



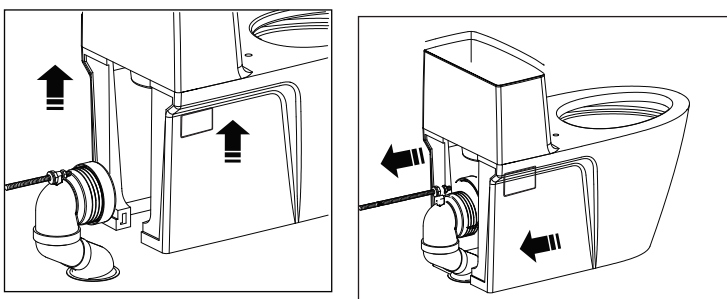
The figures shown the rod of strut with waste connector.



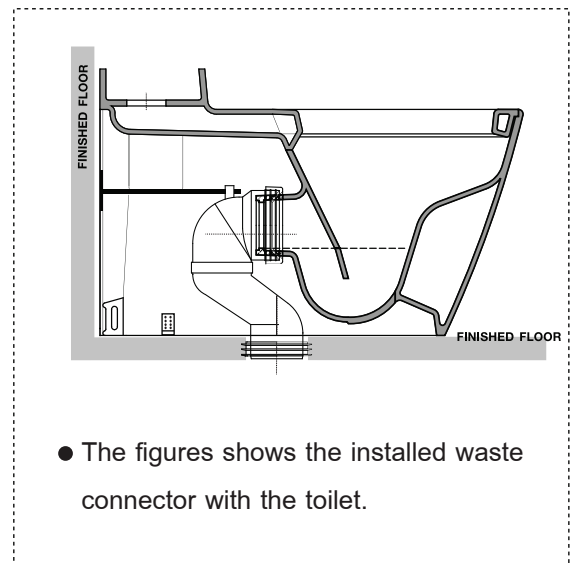
- The figures shows the rod and strut after installation.

6

TOILET INSTALLATION



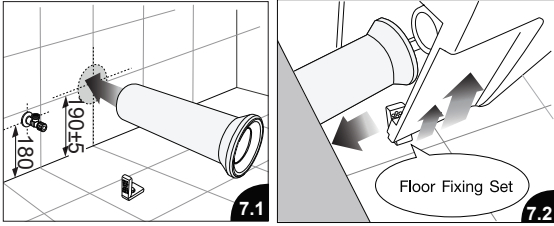
- Lift the VC and aim the outlet into the connector's opening then gently push the VC towards the wall until connector and VC fits properly.



- The figures shows the installed waste connector with the toilet.

7

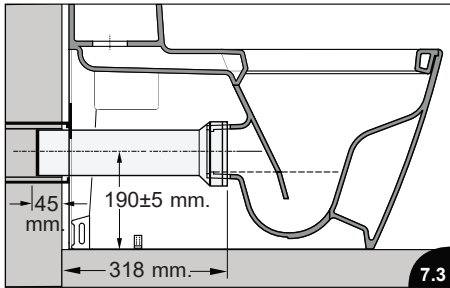
INSTALLATION THE PLASTIC CONNECTOR INTO THE WALL (P-TRAP)



7.1) Insert the plastic connector into the waste pipe on the wall up to protruding length of 318 mm. as shown in figures 7.3

NOTE :

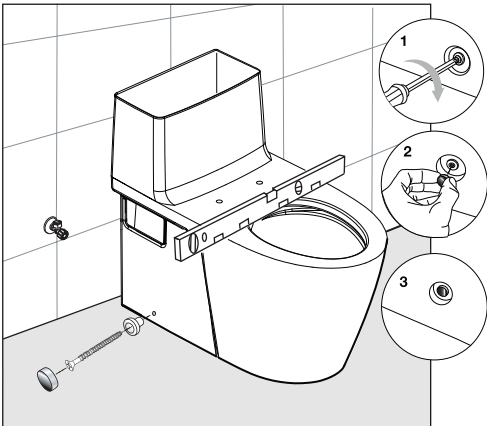
(If necessary, apply PVC cement solvent (not supplied) around the end tip of plastic connector to be fitted with the waste pipe to strengthen the connection joint between waste pipe and plastic connector)



7.2) Lift the VC and aim the outlet into the connector's opening then gently push the VC towards the wall until connector and VC fits properly.

8

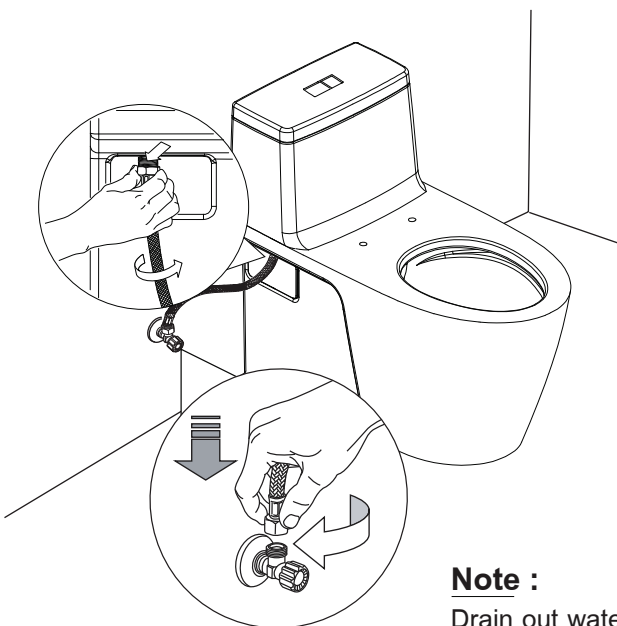
FIX THE TOILET / CHECK LEVEL



- After the above installation, check level of the toilet.
- Using the floor fixing screw set fix the toilet on the floor.

9

WATER SUPPLY ASSEMBLING

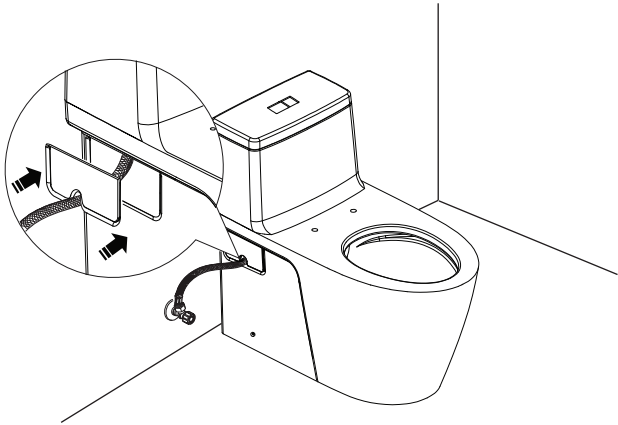


- Attach the water supply hose properly unto the water control valve as figured shown, and then tighten snugly by hand. Attach the water supply hose properly to the stop valve by turning clockwise.

Note :

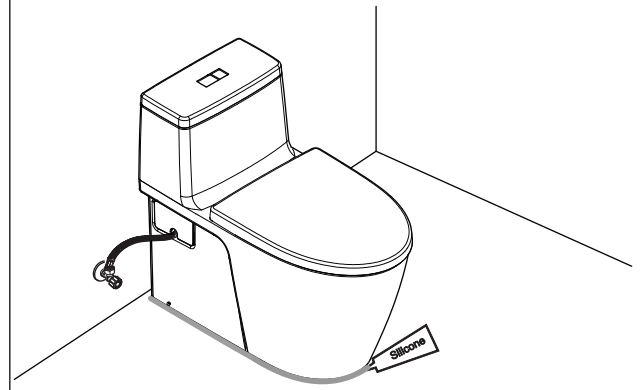
Drain out water from pipe before fixing stop valve and water supply house.

10 PLASTIC WINDOW SIDE CAP INSTALLATION



- Attach the plastic window cap push to side toilet.
(as figures show)

11 INSTALLATION FINISHING



- Install the seat & cover according to seat & cover installation manual
- Apply a silicone putty along the intersecting edge of the toilet base and floor, ensuring a complete seal.

TROUBLE SHOOTING GUIDE

Problem	Possible Cause	To Correct
1. Poor flushing action	<ul style="list-style-type: none"> a. Water level in tank is below prescribe level. b. Flush valve mechanism in tank closes too quickly or does not open. c. Flush handle or button needs replacing. d. Water pressure is too low. e. Partially clogged trapway and / or drainpipe. f. Cleanser used in tank deposits residue. g. No air vent. 	<ul style="list-style-type: none"> a. Set to prescribed level. b. Make sure there are no any material stuck to outlet components. c. Replace. d. Normal water supply pressure must be at least 20 psi. e. Use a plunger or toilet auger to unclog. f. Clean out tank and cease using the cleanser. g. Install air vent per instructions.
2. Water won't stop running	<ul style="list-style-type: none"> a. Water level in tank is higher than overflow pipe. b. Turn off the water supply. If water continues to flow into the bowl the flush valve seat and / or rubber seal disk are worn or deformed. c. Turn off the water supply valve. If water continues to flow into the bowl until the water level falls to the level of the overflow pipe, sand or debris may be clogged in the water control mechanism. d. Flush valve string is too tight, holding the flush valve open. e. Push Button needs replacing. 	<ul style="list-style-type: none"> a. Adjust the cylinder to maintain the water at the prescribed level. b. Replace seat, rubber seal disk, or complete assembly, as needed. c. Shut off water supply valve. Remove top cap of water control. Clean and reassemble, or replace plunger. d. Replace flush valve unit. e. Replace push button.
3. Water supply hose leaks	<ul style="list-style-type: none"> a. Improper installation b. Water pressure is too high. 	<ul style="list-style-type: none"> a. Reinstall, according to instructions. b. Water pressure must not exceed 80 psi.

CARE AND MAINTENANCE

Do not use harsh abrasives or caustic clean fixture surface. A mild detergent, warm water, and a soft cloth will remove normal dirt and soap accumulations from fittings and surfaces. Rinse thoroughly after cleaning and polish with a soft dry cloth to restore original luster of material.

⚠ Notice

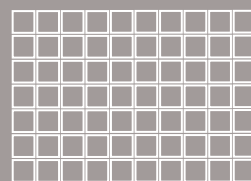
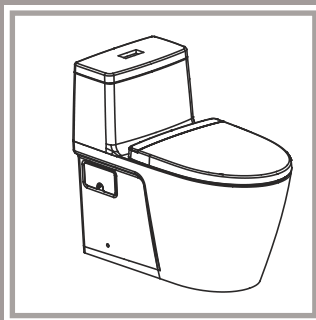
Do not use cleaners in tank. Products containing chlorine(calcium hydrochlorite) can seriously damage fittings in the tank. This damage can cause leakage and property damage. **GROHE shall not be responsible or liable for any tank fitting damage caused by the use of cleaners containing chlorine (calcium hydrochlorite)**

Pure Freude
an Wasser

GROHE
Wasser

- D**
☎ +49 571 39 89 333
service.de@grohe.com
- A**
☎ +43 1 6 80 60
info-at@grohe.com
- AUS**
☎ 1800 080 055
customer.care@reece.com.au
- B**
☎ +32 (0)2 899 3077
https://www.grohe.be/nl_be/onzeservice/contact.html
- BG**
☎ +359 2 971 99 59
info-bg@grohe.com
- BR**
☎ 0800 770 1222
falecom@lixilamericas.com
- CAU**
☎ +99 412 497 09 74
info-az@grohe.com
- CDN**
☎ +1 888 6447643
info@grohe.ca
- CH**
☎ +41 44 877 73 00
info@grohe.ch
- CN**
☎ +86 4008811698
info.cn@grohe.com
- CZ**
☎ +420 277 004 193
info-cz@grohe.com
- DK**
☎ +45 44 65 68 00
grohe@grohe.dk
- E**
☎ +34 93 / 3 36 88 50
grohe@grohe.es
- EST** **LT** **LV**
☎ +372 661 6354
grohe@grohe.ee
- F**
☎ +33 1 49 97 29 00
sav-fr@grohe.com
- FIN**
☎ +358 (09)42451390
grohe@grohe.fi
- GB**
☎ +44 208 283 2840
info-uk@grohe.com
- GR**
☎ +302102712908
service-gr@grohe.com
- H**
☎ +36 (06)1 238-8045
info-hu@grohe.com
- HK**
☎ +852 2969 7067
info@grohe.hk
- I**
☎ +39 2 959401
info-it@grohe.com
- IND**
☎ 18001024475
customercare.in@grohe.com
- IS**
☎ +354 515 400
grohe@byko.is
- J**
☎ +81-3-5775-7500
info_grohe@blisspajapan.jp
- KZ**
☎ +7 775 007 05 27
service-kz@grohe.com
- MAL**
☎ 1800 80 6570
customerservice.my@lixil.com
- MX**
☎ 01 800 839 1200
info@lixilamericas.com
- N**
☎ +47 22 07 20 70
grohe@grohe.no
- NL**
☎ +31(0) 88-0030700
https://www.grohe.nl/nl_nl/onzeservice/contact.html
- NZ**
☎ +64 09 573 0490
sales@robertson.co.nz
- P**
☎ +351 234529620
comercial-pt@grohe.com
- PL**
☎ +48 (22) 5432640
biuro@grohe.com
- RI**
☎ 0800-1-047-643
customercare-indonesia@lixil.com
- RO**
☎ +40 021 212 50 50
info-ro@grohe.com
- ROK**
☎ +82 2 1588 5903
info-singapore@grohe.com
- RP**
☎ +63 2 89288000
service_center@wilcon.com.ph
- RUS**
☎ 8 800 200 00 49
service-ru@grohe.com
- S**
☎ +46 771 14 13 14
grohe@grohe.se
- SGP** **RC**
☎ +65 6311 3611
grohe@connectcentre.sg
- SK**
☎ +421 948 119 343
info-sk@grohe.com
- T**
☎ +6629014455
grohe-thailand@lixil.com
- TR** **AZ** **TM** **TJ**
☎ +90 216 441 23 70
service.turkey@grohe.com
- UA**
☎ +380 (44) 5375273
info-ua@grohe.com
- USA**
☎ +1 800 4447643
Grohetechcare@lixil.com
- VN**
☎ (+84) 1800 6624
cshk@lixil.com
- AL** **BiH** **HR** **KS**
ME **MK** **SLO** **SRB**
☎ +385 1 2911470
adria-hr@grohe.com
- CY** **MT** **IL**
☎ + 357 22465200
service.cyprus@grohe.com
- UAE** **KWT** **BHR**
OM **PK**
☎ +971 4 421 4556
service.UAE@grohe.com
- KSA** **LBN** **JOR**
IRQ **QAT**
☎ +961 76868616
service.lebanon@grohe.com
- EGY** **SUD** **LBY**
☎ + 202 26147988
service.egypt@grohe.com
- MA** **DZ** **TN** **NGR**
BJ **GH** **CI** **SN**
☎ + 202 26147988
service.morocco@grohe.com
- Far East Area Sales Office:**
☎ +65 6311 3600
info@grohe.com.sg
- Latin America:**
☎ +52 818 3050626
info@lixilamericas.com

连体座便器安装说明书



39315000

97.0052.031/ECN 252507/12.21

安装说明书

感谢阁下选用我们的产品……我们的产品多年来一直是优良质量的标志。为了有助于安装顺利进行，请您在开始安装之前仔细阅读这些指南，也请查阅推荐的工具和材料表；小心打开您的新产品。

▲ 警告：易碎产品。小心轻放以避免产品破碎和人身伤害。

注意：图片可能与真实产品不符（请以实物为准）。

所有的安装程序必须严格遵从当地的卫浴和建筑法规条例。

备注：此安装说明书只针对座厕部分的安装予以简要说明，水箱配件及盖板的安装请分别参见相应的安装说明书。

使用注意事项

- 1、请不要向便器内冲入新闻纸、纸尿裤、妇用卫生巾等容易堵塞的物品。
- 2、请不要用重力撞击陶瓷，以防止破损漏水。
- 3、不要在零摄氏度以下水的环境中使用。

推荐工具和材料（客户自备）

油泥刀	可调扳手	鲤鱼钳	十字型螺丝起子
扳手	水平尺	钢锯	一字型螺丝起子
冲击钻	矽胶	卷尺	

基本尺寸

每种型号的产品都提供了尺寸图。

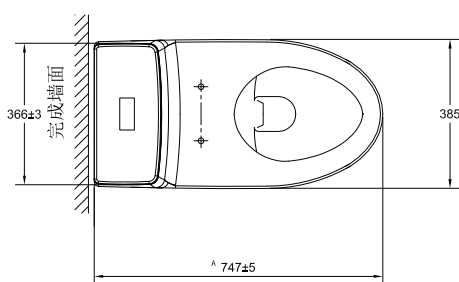
注意：该产品尺寸图仅供参考，产品具体尺寸可能在公差范围尺寸内有所变化。

用水量：3/4.5升

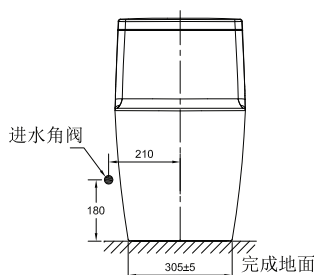
额定用水效率等级：1级

标准号：GB25502-2017

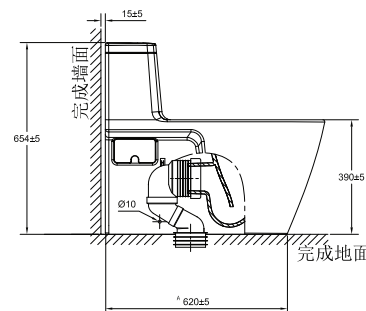
单位：毫米



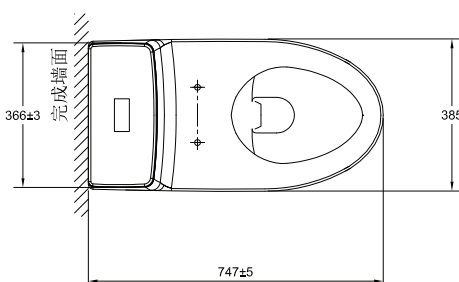
TOP VIEW



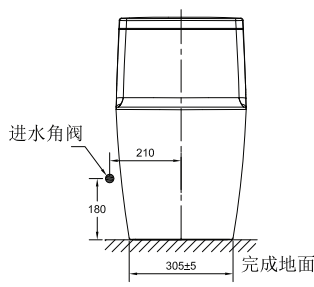
FRONT VIEW



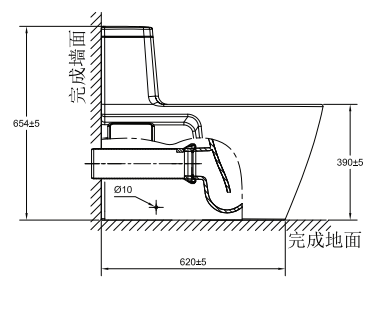
SIDE VIEW



TOP VIEW



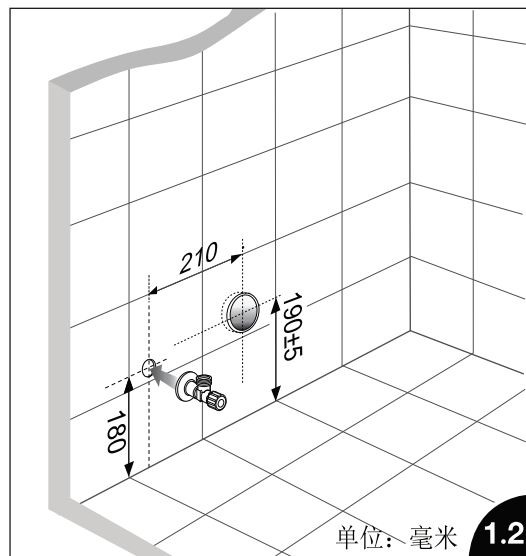
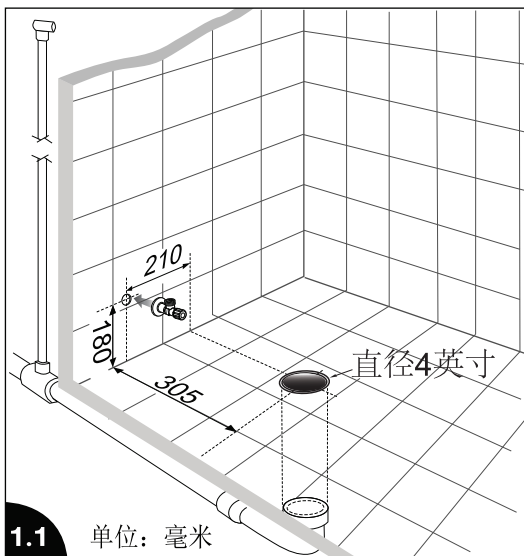
FRONT VIEW



SIDE VIEW

1

管道与进水角阀分布图



进水角阀：

进水角阀的联接尺寸为直径1/2英寸。

排污管（图1.1/1.2）：

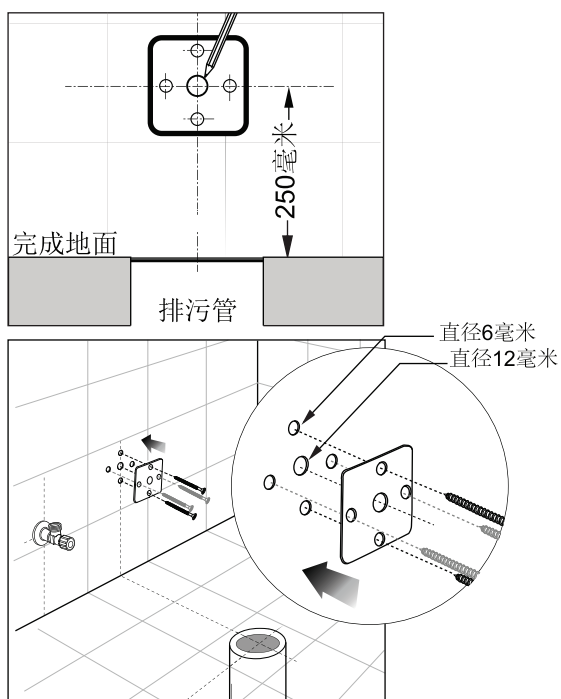
内径102毫米的标准管，安装时，注意排污管必须安装成一定的倾斜度（每100厘米有2厘米的倾斜度）。

排气孔：

不得小于直径1-1/2英寸，必须与排污管相连。

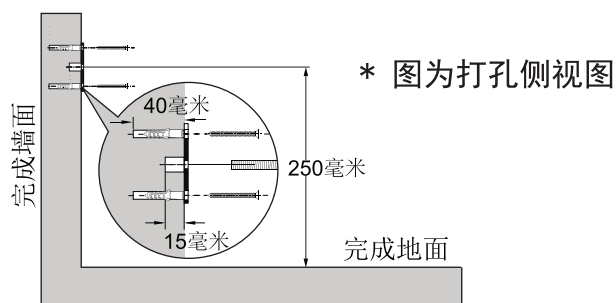
2

安装墙面固定装置



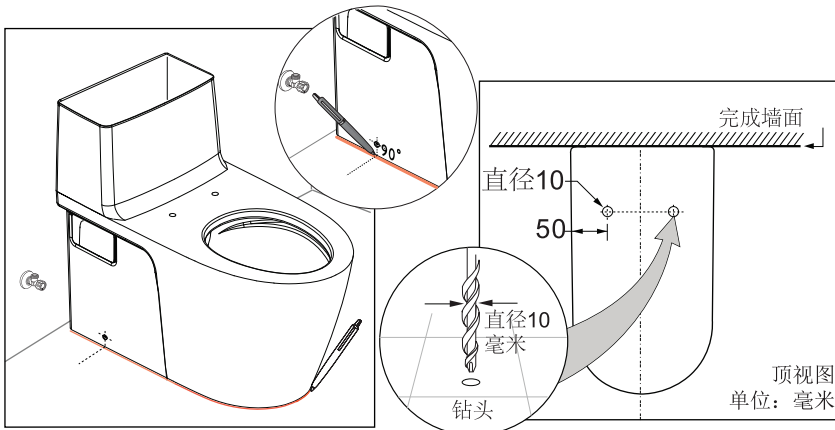
2.1 在墙面的指定位置安装支撑板。

2.2 在墙面的标注位置打孔并固定支撑板。

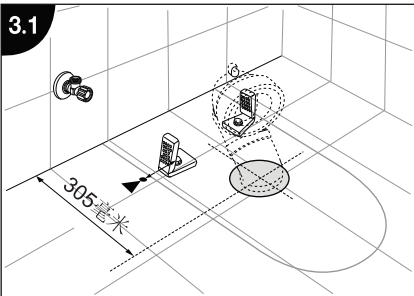


3

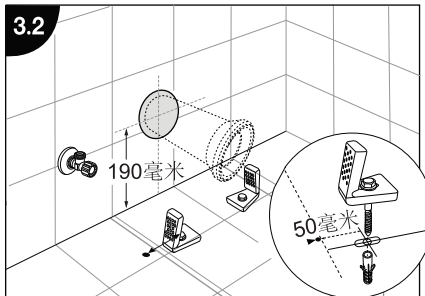
安装地面固定装置



3.1



3.2



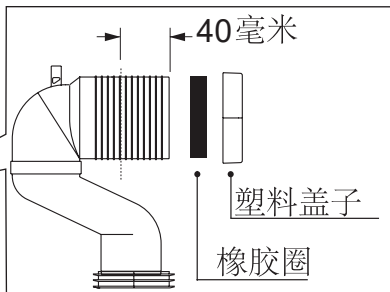
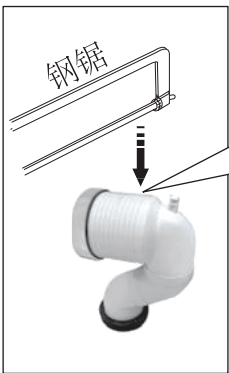
用直径为10毫米的钻头在地面标注位置打孔,并按图示安装地面固定装置。

4

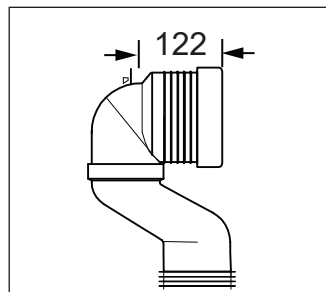
安装墙面固定装置

请如下图剪切多余的弯管部分。

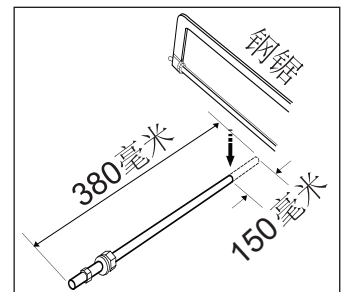
305毫米坑距弯管的切割



此图为排污管切割之前。



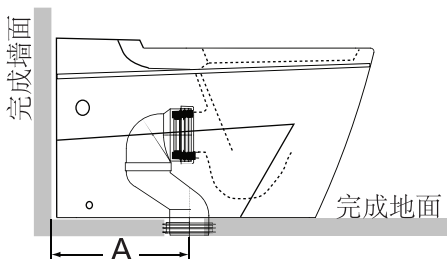
此图为排污管切割之后。



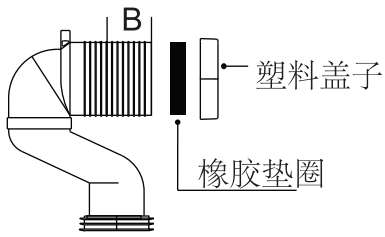
此图为只支撑杆的切割数据。

墙面连接装置的计算方法

其他坑距的弯管切割



- A = 排污管底部圈面中心距到墙面的距离。
- B = 排污管接头切割部分的长度。
- C = 支撑杆切割部分的长度。



● 图为排污管切割图。

如果，265毫米<A的长度<305毫米。

$$B = 40 - (305 - A)$$

$$C = 150 + (305 - A)$$

如果，305毫米<A的长度<325毫米。

$$B = 40 + (A - 305)$$

$$C = 150 - (A - 305)$$

注意：

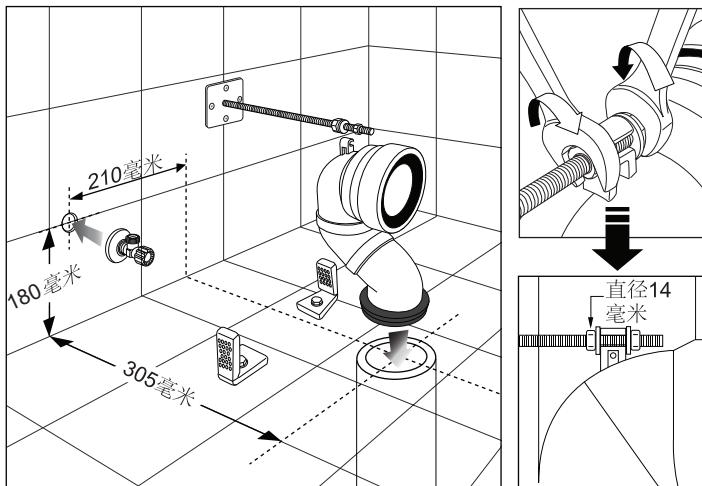
如果A的长度大于340毫米，那么墙面到水箱之间的距离将会很大。



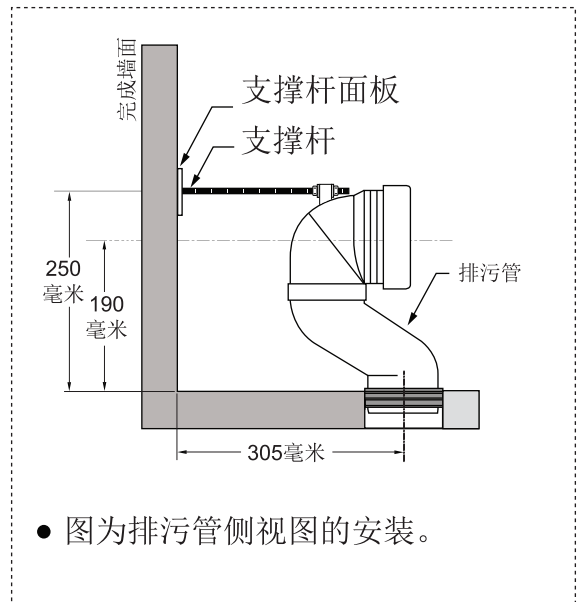
● 图为支撑杆切割图。

5

安装排污管以及支撑杆装置



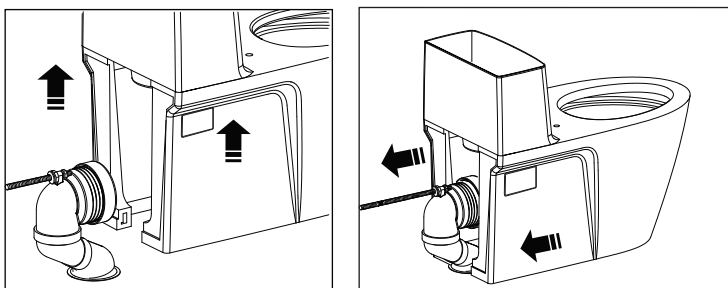
图为排污管的安装。



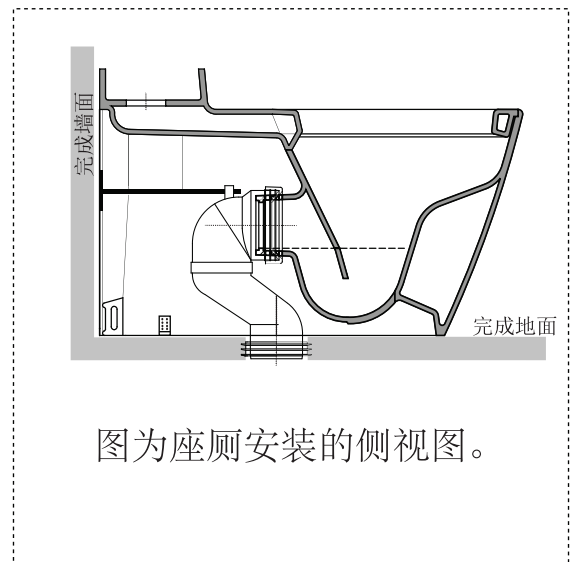
● 图为排污管侧视图的安装。

6

安装座厕



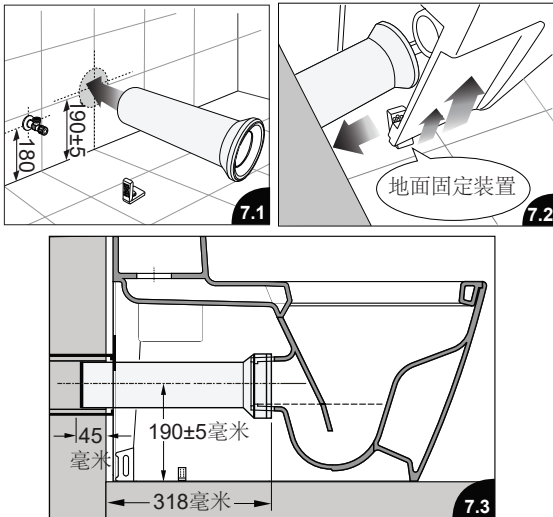
如图所示，轻微提起座厕，同时将弯管接口连接到座厕排污孔，请务必确保两者吻合。



图为座厕安装的侧视图。

7

安装横排管道



如图7.1和7.2的建议尺寸将排污管插入墙面管道孔内。

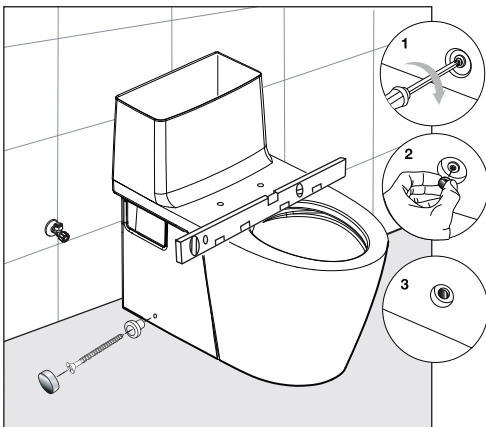
注意：

如果有必要，可以在排污管与墙面接口处涂一圈PVC胶（不提供）使其密封性能更好。

将座厕向排污管方向移动，使其出口与排污管连接。

8

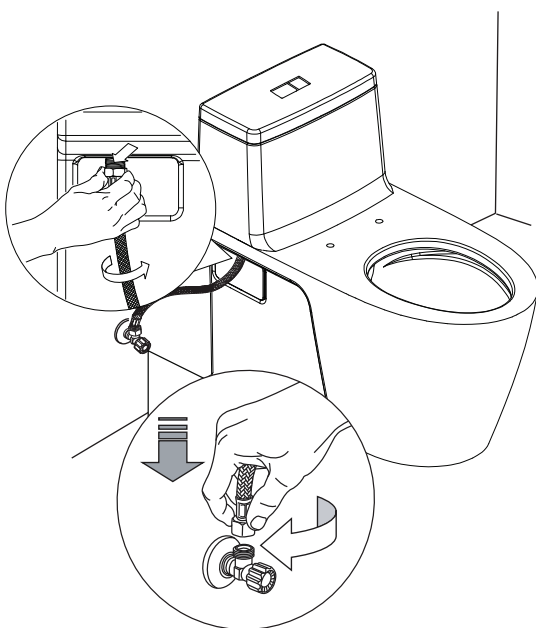
固定座厕 / 检测水平



先用水平尺检查其水平，然后用提供的螺丝按图示将座厕固定到地面上。

9

连接水箱的供水软管



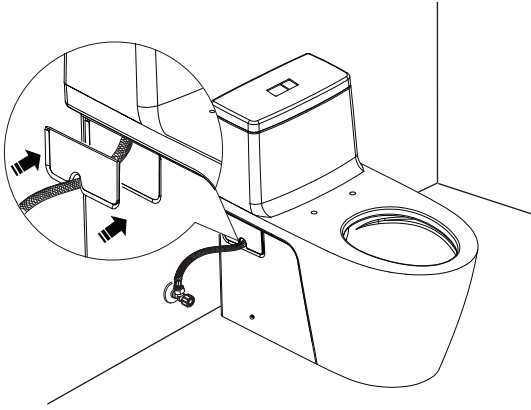
将供水软管连接到供水角阀上。

注意：

在连接供水软管和角阀之前先关闭水源。

10

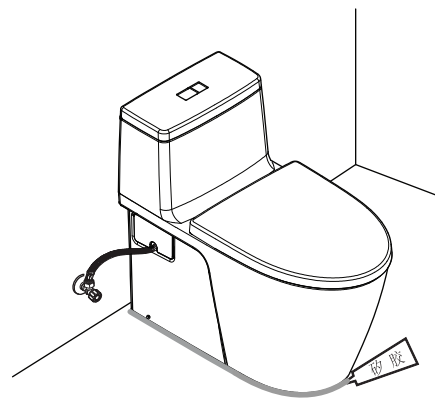
安装侧盖



将侧盖魔术贴与陶瓷魔术贴相粘接。

11

座厕完成安装



- (1) 将供水软管连接到供水角阀上。
- (2) 按照盖板安装说明书安装座厕盖板。
- (3) 在座厕底部边缘涂上矽胶。

注意：矽胶不在提供范围内。
严禁使用水泥固定座厕。
 矽胶的干燥时间不低于24小时。

一般故障排除指南

问题描述	潜在原因	解决办法
1. 冲水不良	a. 水位线比要求的低 b. 冲水阀拍盖关闭过快或没打开 c. 冲水按钮或手柄损坏需更换 d. 水压过低 e. 座厕排污水道或排污管堵塞 f. 使用水箱清洁剂有沉淀物 g. 楼房无管道排气孔	a. 重新调整水位至正确水位线 b. 检查有无脏物附着在出水阀拍盖 c. 更换 d. 正常水压必须高于20psi e. 清理堵塞 f. 清理水箱，停止使用水箱清洁剂 g. 安装管道排气孔
2. 漏水	a. 水位过高，高于水件溢水口 b. 关闭进水角阀，若水仍不断渗入座厕，检查出水拍盖是否变形，或橡胶密封不良 c. 关闭进水阀，水位线低于水件溢水口，若水仍不断渗入座厕，进水阀止水阀内可能有脏物 d. 控制出水阀拍盖装置，收得太紧导致拍盖无法关严 e. 冲水阀手柄式按钮需更换	a. 重新调整水位至正确水位线 b. 更换或调整橡胶密封圈或根据需要更换出水阀 c. 关闭进水阀，卸下进水阀塑料帽，清洁后重新安装或更换止水阀阀芯 d. 更换出水阀 e. 更换
3. 进水管漏水	a. 安装不良 b. 水压过高	a. 根据安装说明重新安装 b. 水压不得超过80psi

保养和清洁

当您清洁座厕时，请使用温和的肥皂水，然后用清水清洁并使用软布擦干。避免使用洗洁精、消毒剂，避免在气雾剂容器内清洁产品。杜绝使用颗粒状的清洁粉末或者在座厕上放置粗糙的座垫。一些浴室的化学药品和化妆品可能有害于座厕的光洁。

⚠ 警告

不要在水箱内使用清洁剂，含氯（次氯酸钙）的清洁剂会严重破坏水箱内的装置，从而引起渗漏或楼宇结构损坏。公司不会对由于使用此种含氯（次氯酸钙）的清洁剂而损坏水箱内装置负责或赔偿。

Pure Freude
an Wasser

GROHE


D
☎ +49 571 39 89 333
service.de@grohe.com

A
☎ +43 1 6 80 60
info-at@grohe.com

AUS
☎ 1800 080 055
customer.care@reece.com.au

B
☎ +32 (0)2 899 3077
[https://www.grohe.be/nl_be/
once-service/contact.html](https://www.grohe.be/nl_be/once-service/contact.html)

BG
☎ +359 2 971 99 59
info-bg@grohe.com

BR
☎ 0800 770 1222
falecom@lixilamericas.com

CAU
☎ +99 412 497 09 74
info-az@grohe.com

CDN
☎ +1 888 6447643
info@grohe.ca

CH
☎ +41 44 877 73 00
info@grohe.ch

CN
☎ +86 4008811698
info.cn@grohe.com

CZ
☎ +420 277 004 193
info-cz@grohe.com

DK
☎ +45 44 65 68 00
grohe@grohe.dk

E
☎ +34 93 / 3 36 88 50
grohe@grohe.es

EST **LT** **LV**
☎ +372 661 6354
grohe@grohe.ee

F
☎ +33 1 49 97 29 00
sav-fr@grohe.com

FIN
☎ +358 (09)42451390
grohe@grohe.fi

GB
☎ +44 208 283 2840
info-uk@grohe.com

GR
☎ +302102712908
service-gr@grohe.com

H
☎ +36 (06)1 238-8045
info-hu@grohe.com

HK
☎ +852 2969 7067
info@grohe.hk

I
☎ +39 2 959401
info-it@grohe.com

IND
☎ 18001024475
customercare.in@grohe.com

IS
☎ +354 515 400
grohe@byko.is

J
☎ +81-3-5775-7500
info_grohe@blisspajapan.jp

KZ
☎ +7 775 007 05 27
service-kz@grohe.com

MAL
☎ 1800 80 6570
customerservice.my@lixil.com

MX
☎ 01 800 839 1200
info@lixilamericas.com

N
☎ +47 22 07 20 70
grohe@grohe.no

NL
☎ +31(0) 88-0030700
[https://www.grohe.nl/nl_nl/
once-service/contact.html](https://www.grohe.nl/nl_nl/once-service/contact.html)

NZ
☎ +64 09 573 0490
sales@robertson.co.nz

P
☎ +351 234529620
comercial-pt@grohe.com

PL
☎ +48 (22) 5432640
biuro@grohe.com

RI
☎ 0800-1-047-643
customercare-
indonesia@lixil.com

RO
☎ +40 021 212 50 50
info-ro@grohe.com

ROK
☎ +82 2 1588 5903
info-singapore@grohe.com

RP
☎ +63 2 89288000
service_center@wilcon.com.ph

RUS
☎ 8 800 200 00 49
service-ru@grohe.com

S
☎ +46 771 14 13 14
grohe@grohe.se

SGP **RC**
☎ +65 6311 3611
grohe@connectcentre.sg

SK
☎ +421 948 119 343
info-sk@grohe.com

T
☎ +6629014455
grohe-thailand@lixil.com

TR **AZ** **TM** **TJ**
☎ +90 216 441 23 70
service.turkey@grohe.com

UA
☎ +380 (44) 5375273
info-ua@grohe.com

USA
☎ +1 800 4447643
Grohetechcare@lixil.com

VN
☎ (+84) 1800 6624
cshk@lixil.com

AL **BiH** **HR** **KS**
ME **MK** **SLO** **SRB**
☎ +385 1 2911470
adria-hr@grohe.com

CY **MT** **IL**
☎ + 357 22465200
service.cyprus@grohe.com

UAE **KWT** **BHR**
OM **PK**
☎ +971 4 421 4556
service.UAE@grohe.com

KSA **LBN** **JOR**
IRQ **QAT**
☎ +961 76868616
service.lebanon@grohe.com

EGY **SUD** **LBY**
☎ + 202 26147988
service.egypt@grohe.com

MA **DZ** **TN** **NGR**
BJ **GH** **CI** **SN**
☎ + 202 26147988
service.morocco@grohe.com

Far East Area Sales Office:
☎ +65 6311 3600
info@grohe.com.sg

Latin America:
☎ +52 818 3050626
info@lixilamericas.com