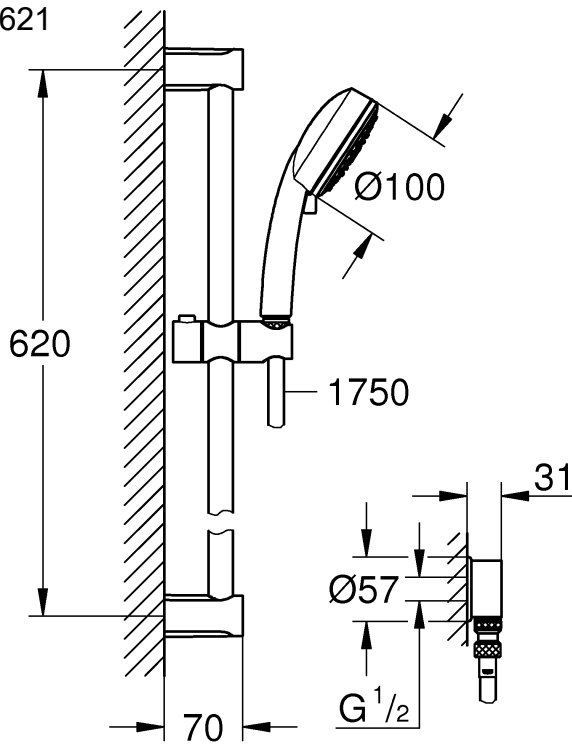


26 621



Application

- for shower

Can be used in conjunction with:

- Pressurised storage heaters
- Thermally controlled instantaneous heaters
- Hydraulically controlled instantaneous heaters

Operation with unpressurised storage heaters (open water heaters) is not possible.

Specifications

- Flow pressure min. 50 kPa - recommended 100 - 500 kPa
- Operating pressure max. 500 kPa

If static pressure is greater than 500 kPa, fit pressure reducer.

Avoid major pressure differences between hot and cold water supply.

- Flow rate at 300 kPa flow pressure approx. 7.5 L/min

Installation

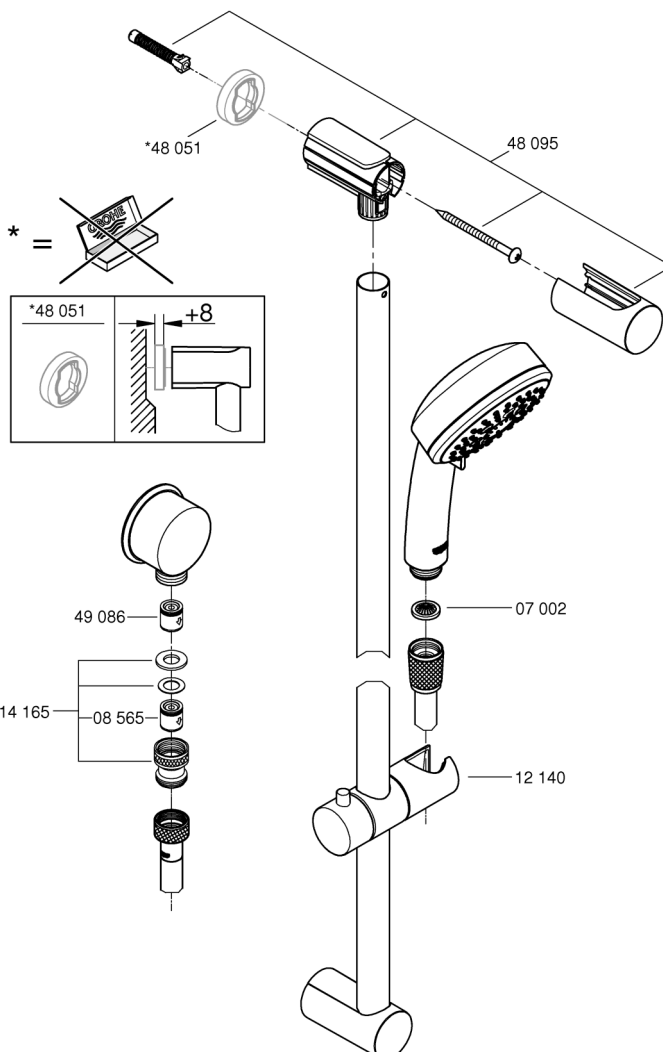
Flush piping system prior and after installation of fitting thoroughly (Consider EN 806)!

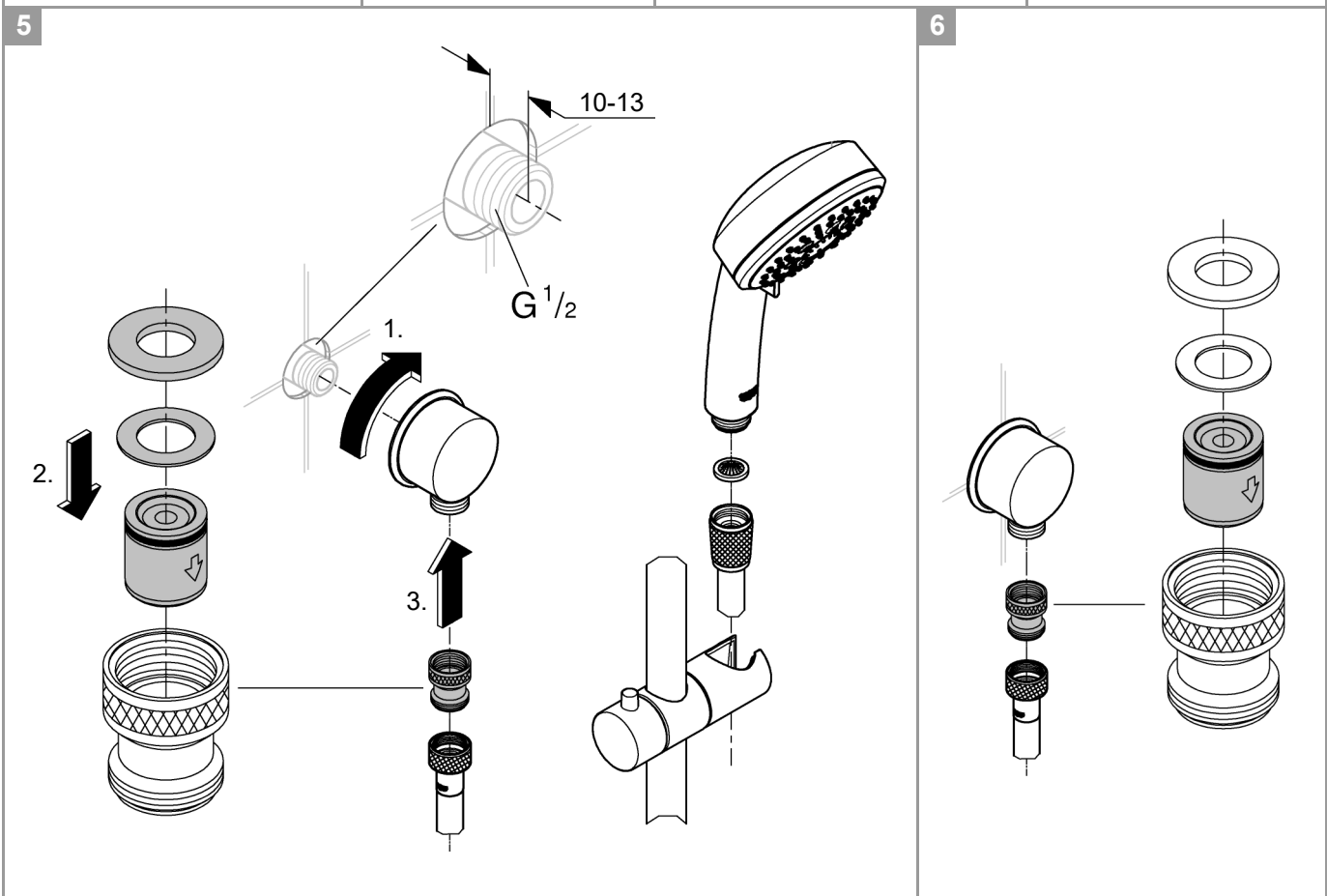
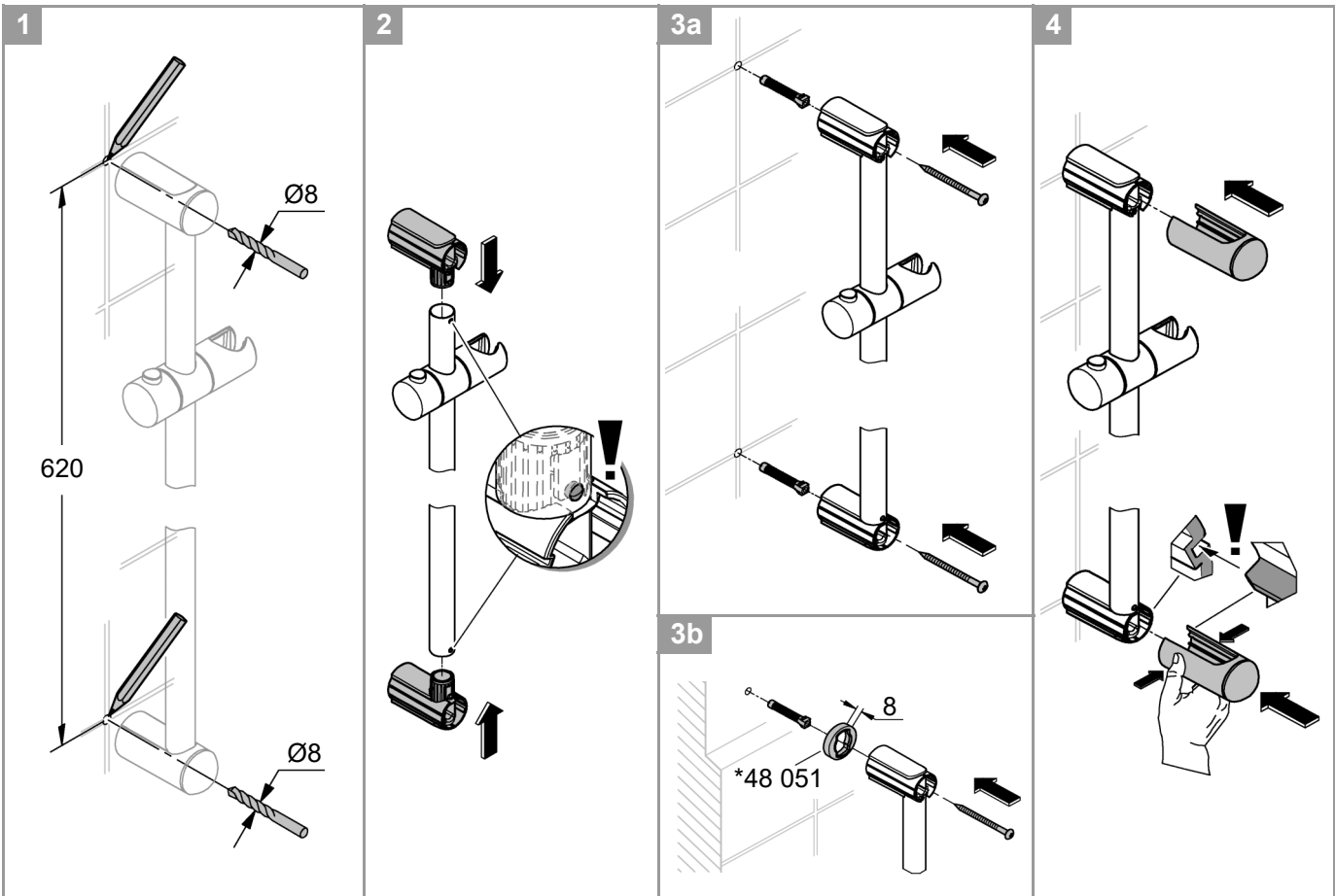
This product must be installed in conformance with local codes e.g. AS/NZS 3500 series of standard!

Installation and connection, see Figs. [1] to [5].

Open cold and hot water supply and check connections for leakage!

Maintenance, see Fig. [6].





AUS

Tel.: 1800 080 055

Email: customer.care@reco.com.au

NZ

Tel.: +64 09 573 0490

Email: sales@robertson.co.nz