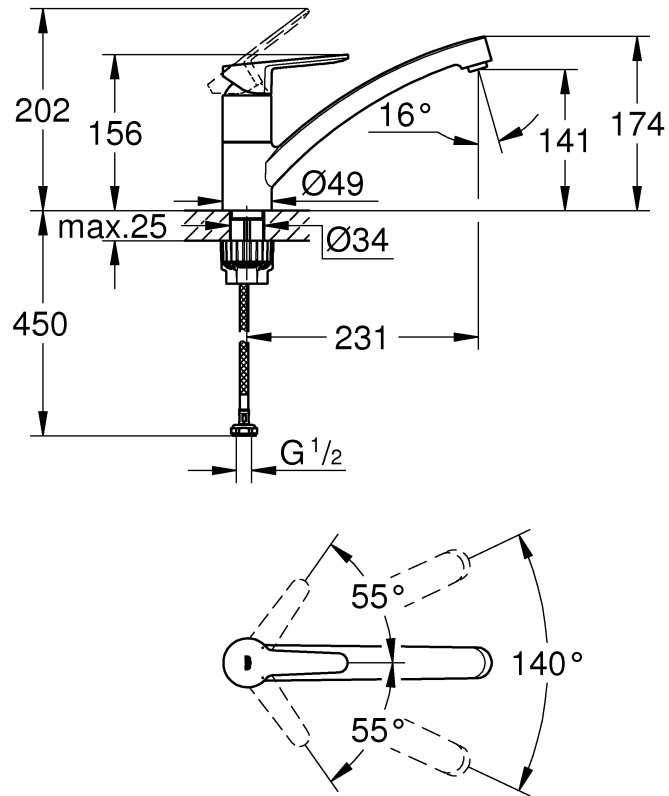
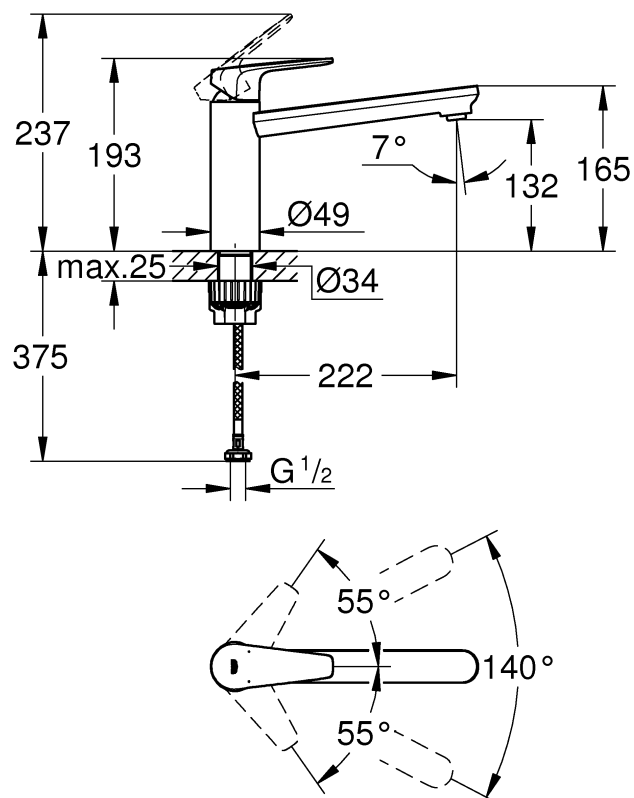


### BauEco



31 683

### BauEdge



31 695



DIN  
1988

DIN EN  
806

bar

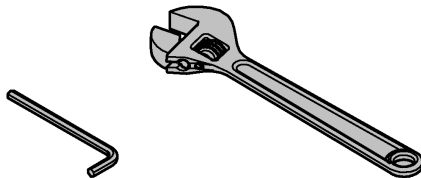
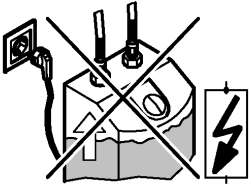
max. 10

5 1

°C

max. 70°

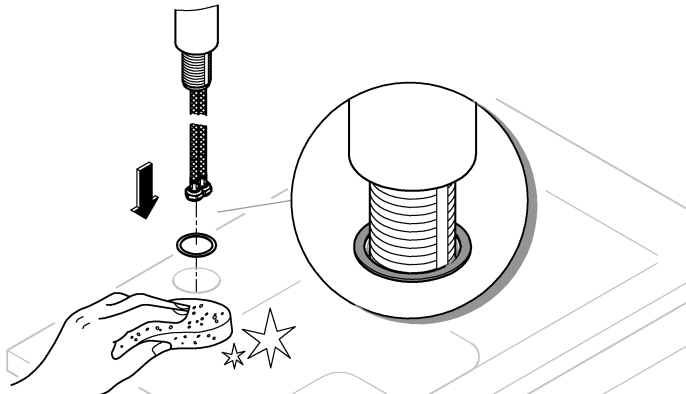
60°



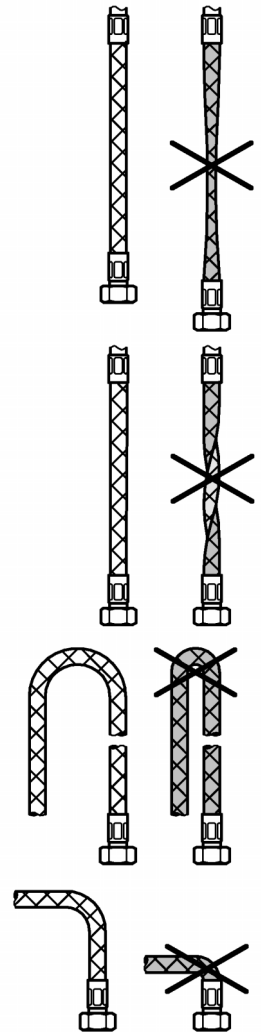
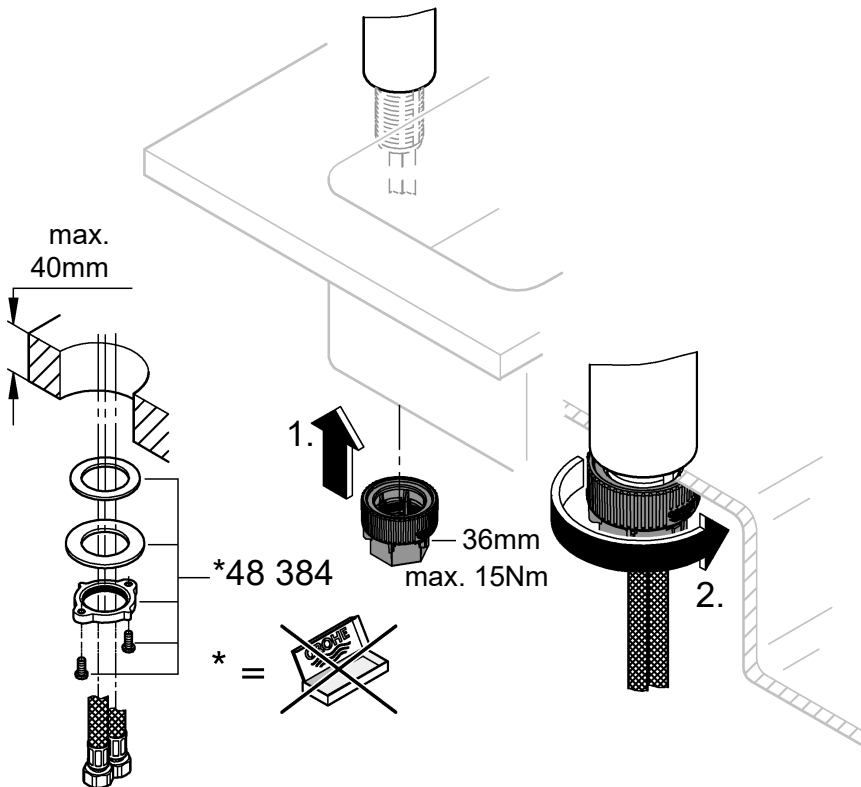
32mm  
\*19 332



1

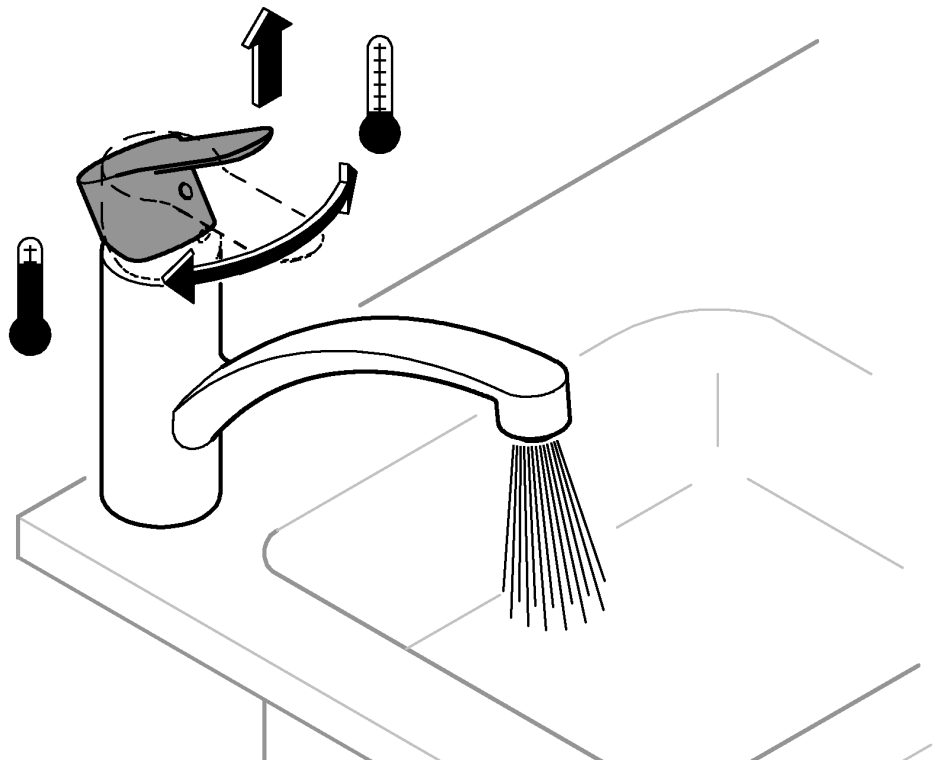
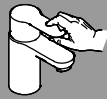
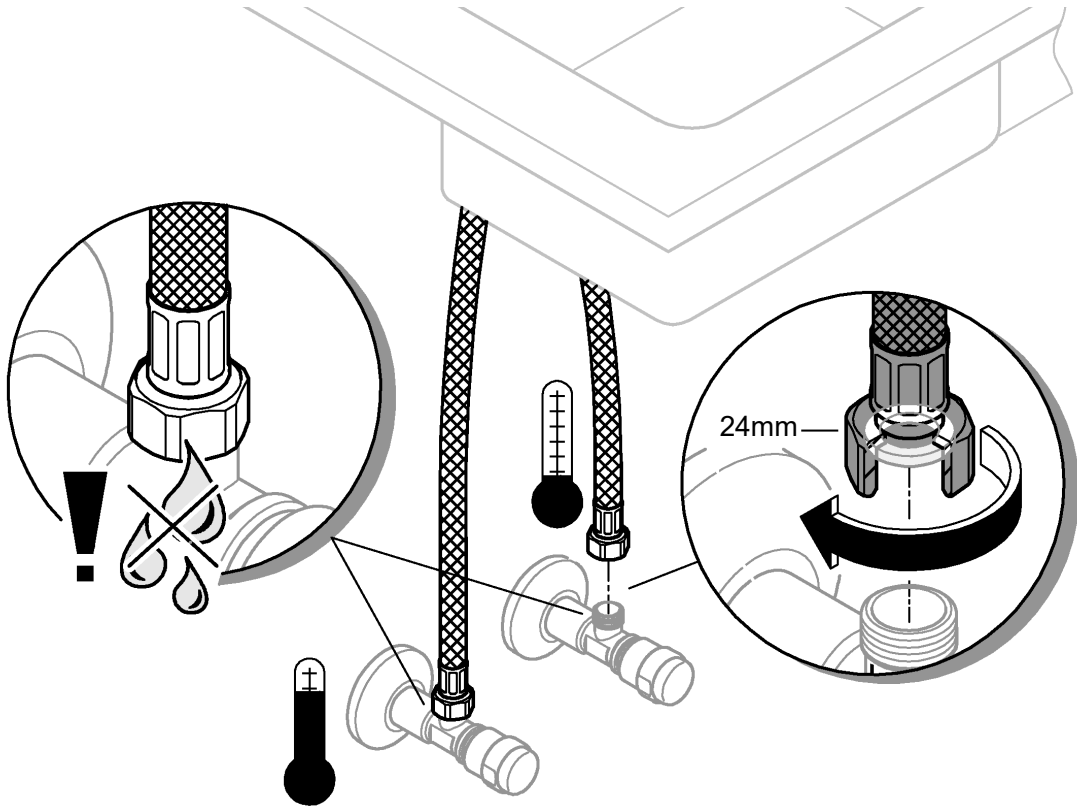


2



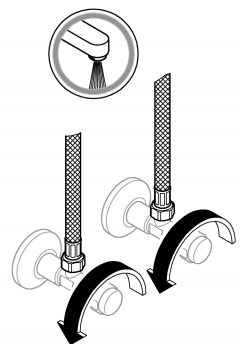
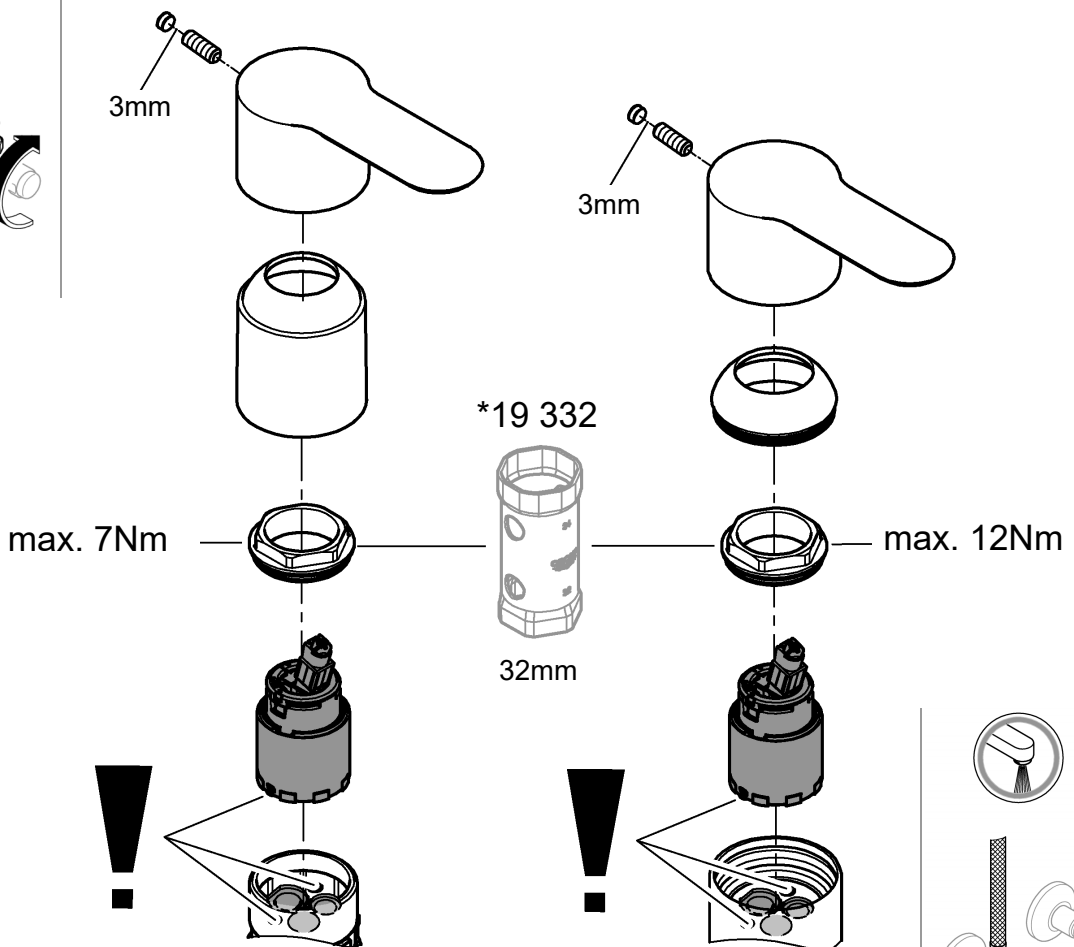
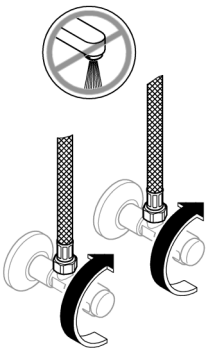
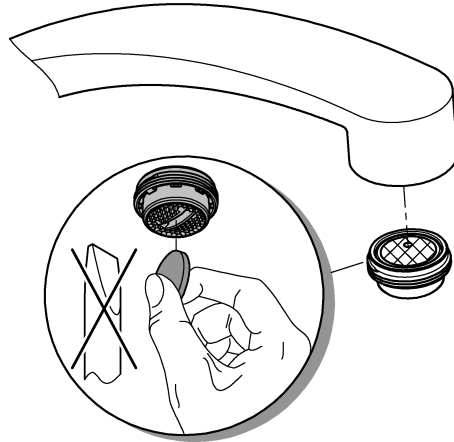


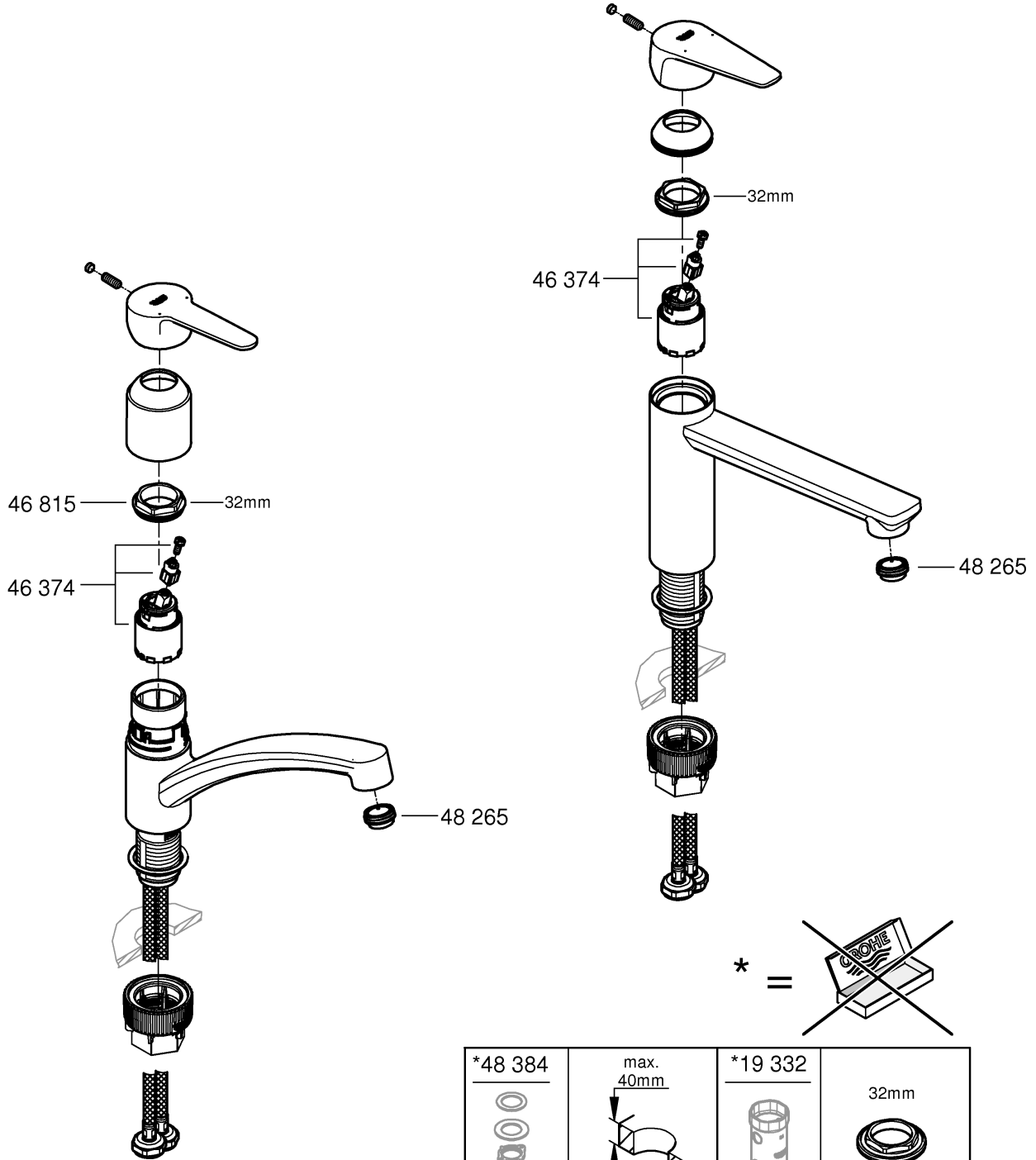
3





MAINTENANCE 





<p>*48 384</p>	<p>max. 40mm</p>	<p>*19 332</p>	<p>32mm</p>
----------------	----------------------	----------------	-------------

## Application

- for kitchen

Can be used in conjunction with:

- Pressurised storage heaters
- Thermally controlled instantaneous heaters
- Hydraulically controlled instantaneous heaters

Operation with unpressurised storage heaters (open water heaters) is **not** possible.

## Specifications:

- Flow pressure min. 50 kPa - recommended 100 - 500 kPa
- Operating pressure max. 1000 kPa
- Test pressure 1600 kPa

If static pressure is greater than 500 kPa, fit pressure reducer.

Avoid major pressure differences between hot and cold water supply.

- Flow rate at 300 kPa flow pressure approx. 13 L/min
- Temperature
  - Hot water inlet: (maximum) 70 °C
  - Recommended: (energy saving) 60 °C
  - Thermal disinfection possible
- Water connection cold - right hot - left
- Max. clamping length max.60mm



## Installation

**Flush piping system prior and after installation of fitting thoroughly (Consider EN 806)!**

This product must be installed in conformance with local codes e.g. AS/NZS 3500 series of standard!

**Installation and connection**, see Fig. [1] - [3].

Refer to the dimensional drawing.

The cold-water supply must be connected on the right and the hot-water supply on the left.

**Note:** With a special accessory, the clamping length can be increased to 40mm (order no. 48 384), see Fig. [2].

**Open cold and hot-water supply and check connections for watertightness!**



**Check fitting for correct operation.**



## Flow rate limiter.

This mixer is fitted with a flow rate limiter, permitting an infinitely individual variable reduction in the flow rate.

The highest possible flow rate is set by the factory before despatch.

**The use of flow rate limiters in combination with hydraulic instantaneous water heaters is not recommended.**



## Maintenance

Inspect and clean all parts, replace as necessary and grease with special grease.

**Shut off cold and hot water supply!**

## Replacing the cartridge.

Assemble in reverse order.

**Observe the correct installation position!**

Make sure that the cartridge seals engage in the grooves on the housing. Screw in and tighten screwing.



**Replacement parts** ( \* = special accessories).

## Care

For directions on the care of this fitting, refer to the accompanying Care Instructions.

**AUS**

Reece Australia Pty Ltd  
118 Burwood Hwy  
Burwood VIC 3125

Tel.: +61 3 9274 0000  
Email: admin@reece.com.au



**NZ**

Robertson  
25 Vestey Drive  
Mt Wellington, Auckland

Tel.: +64 9 5730490  
Email: sales@robertson.co.nz