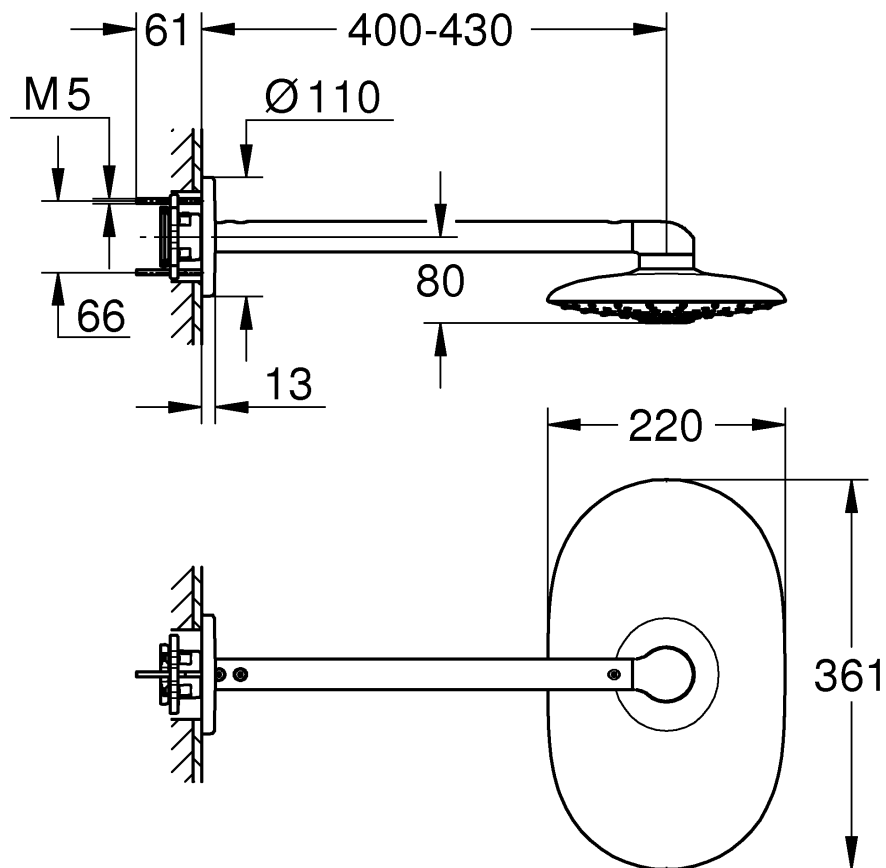
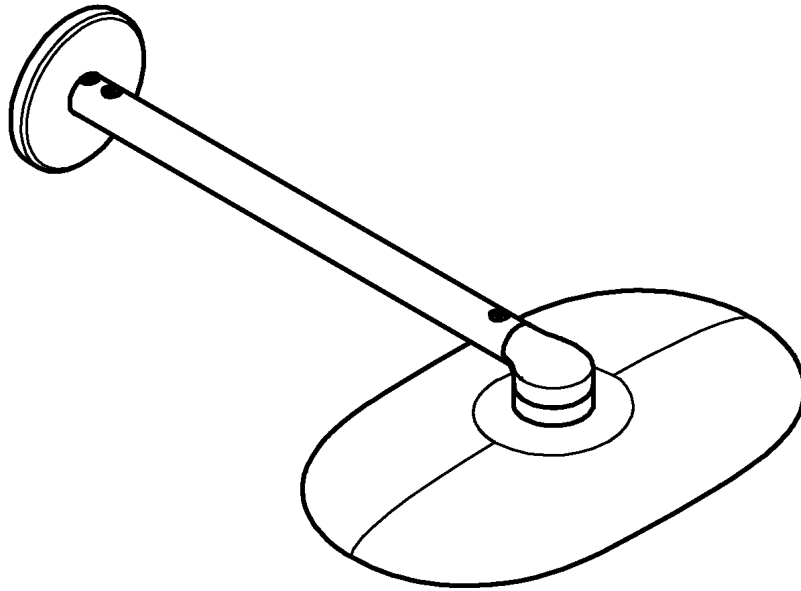
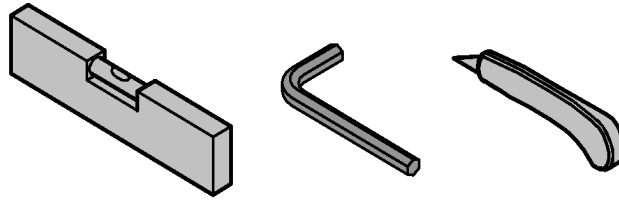
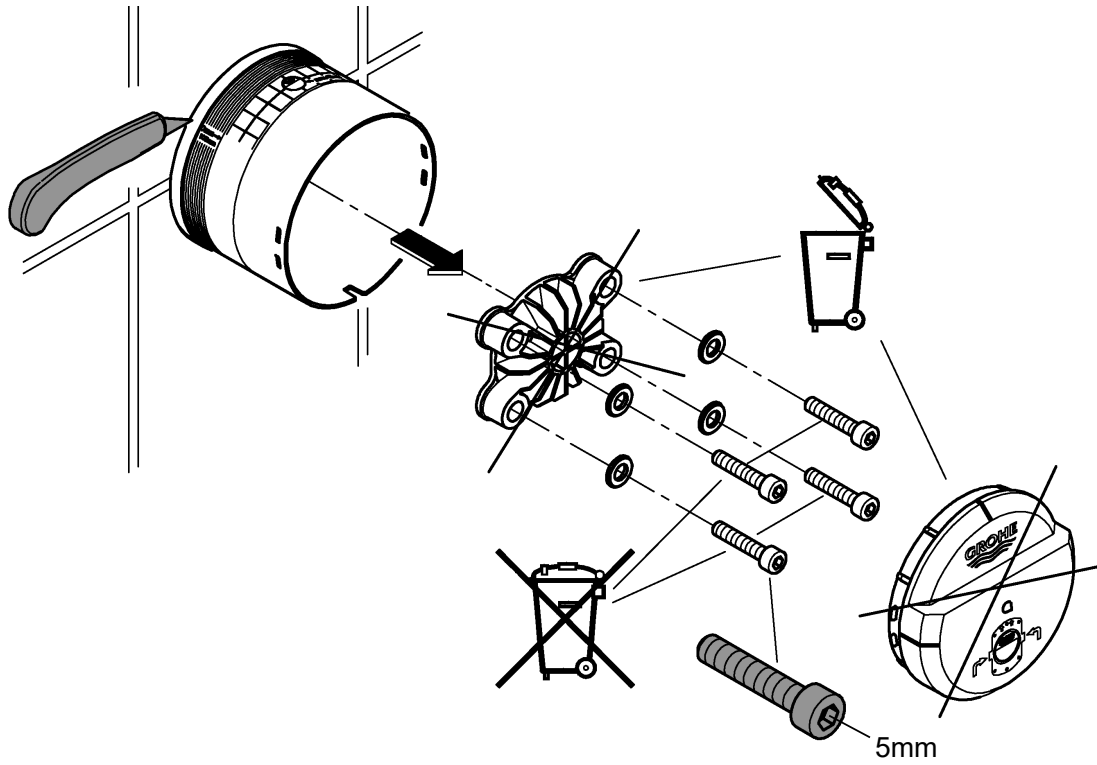


26 625

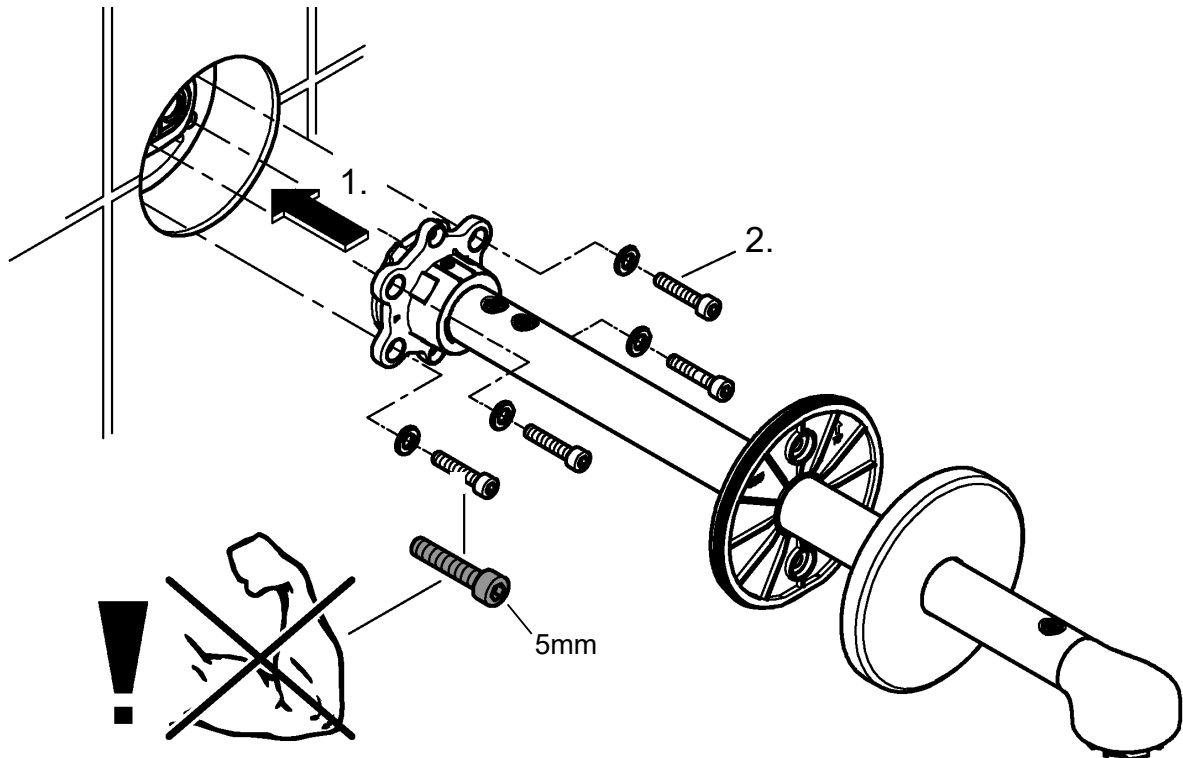




1

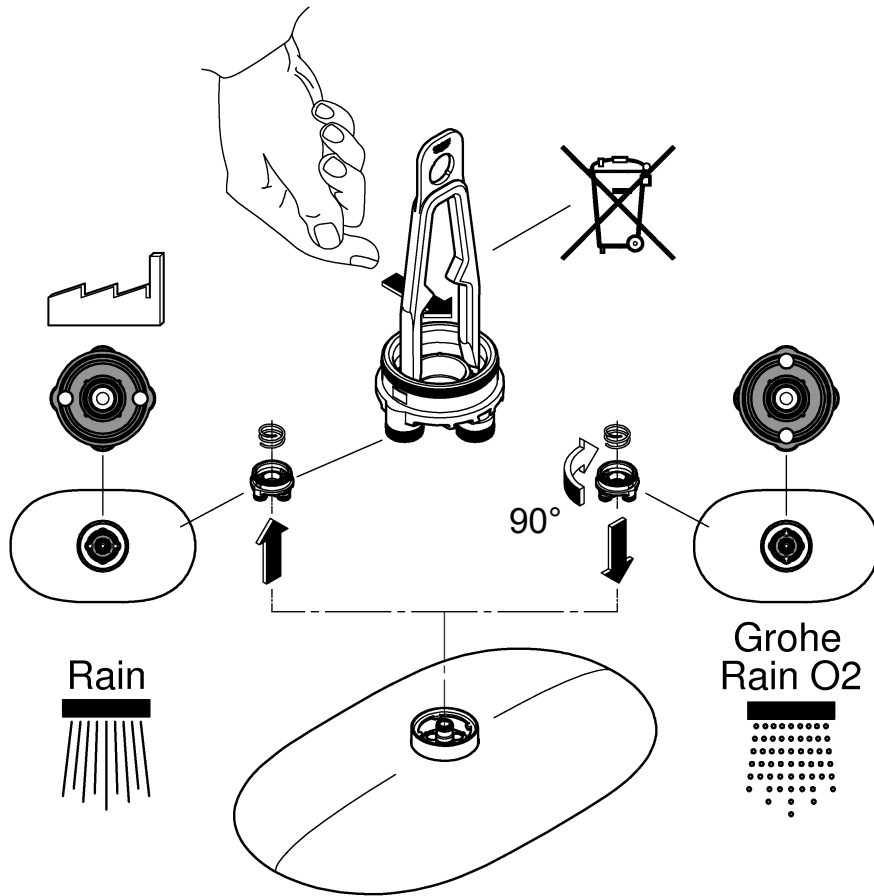


2

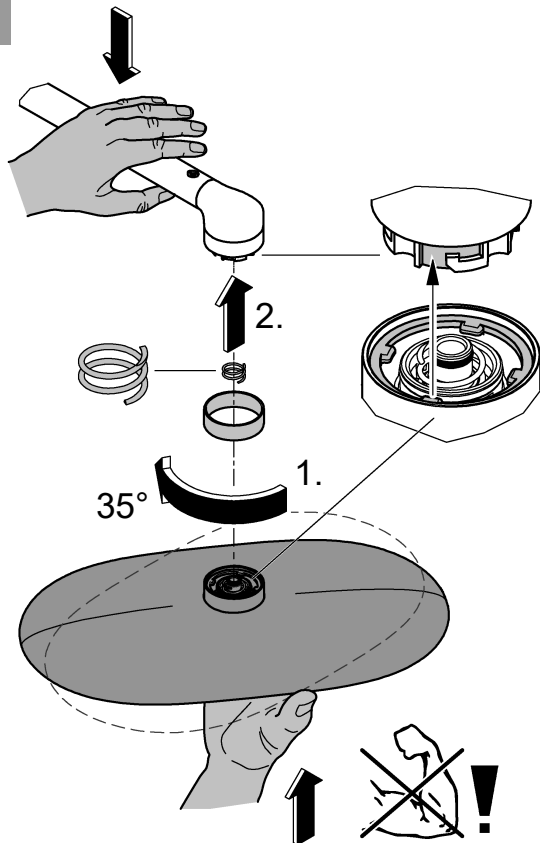




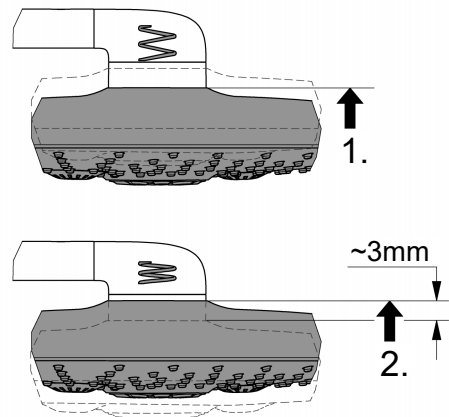
3



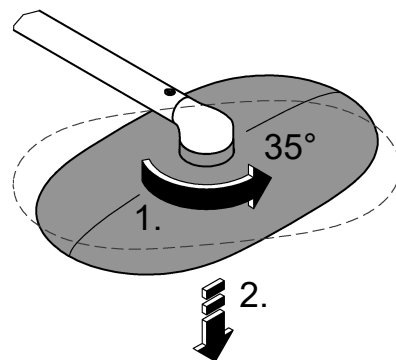
4a



4b

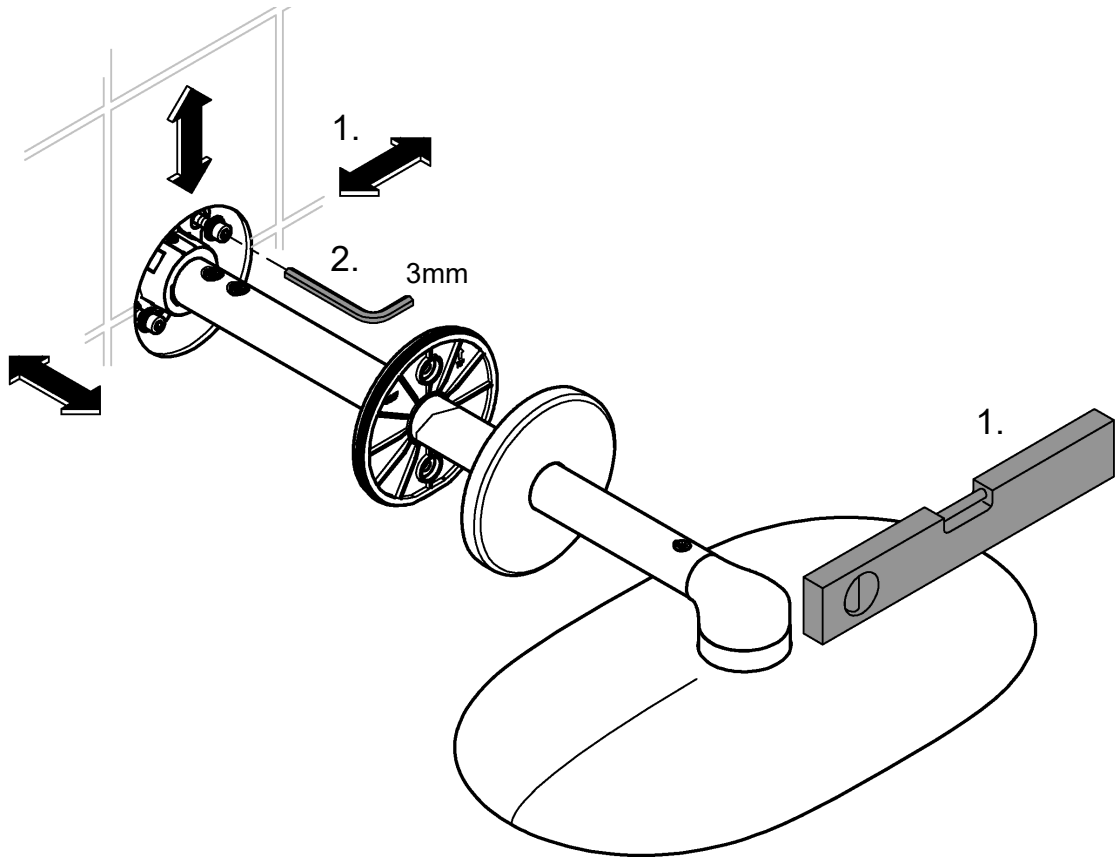


4c

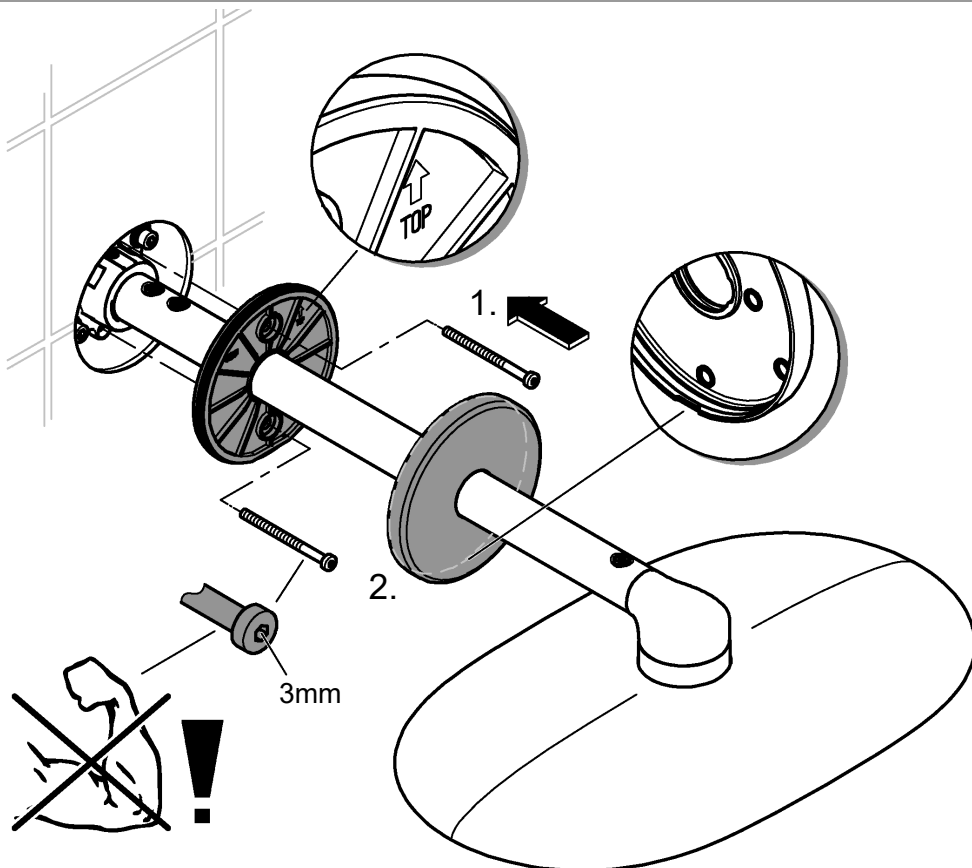


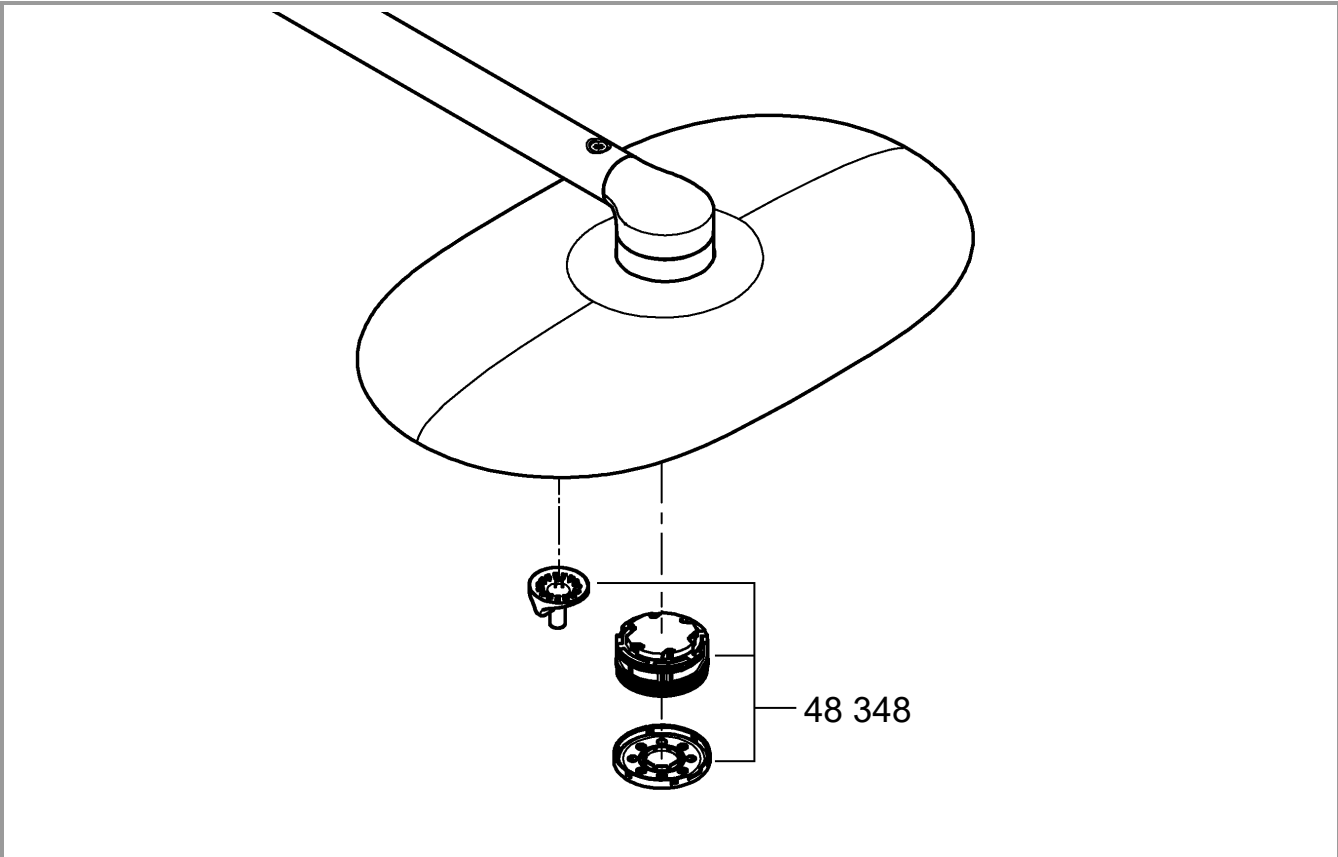
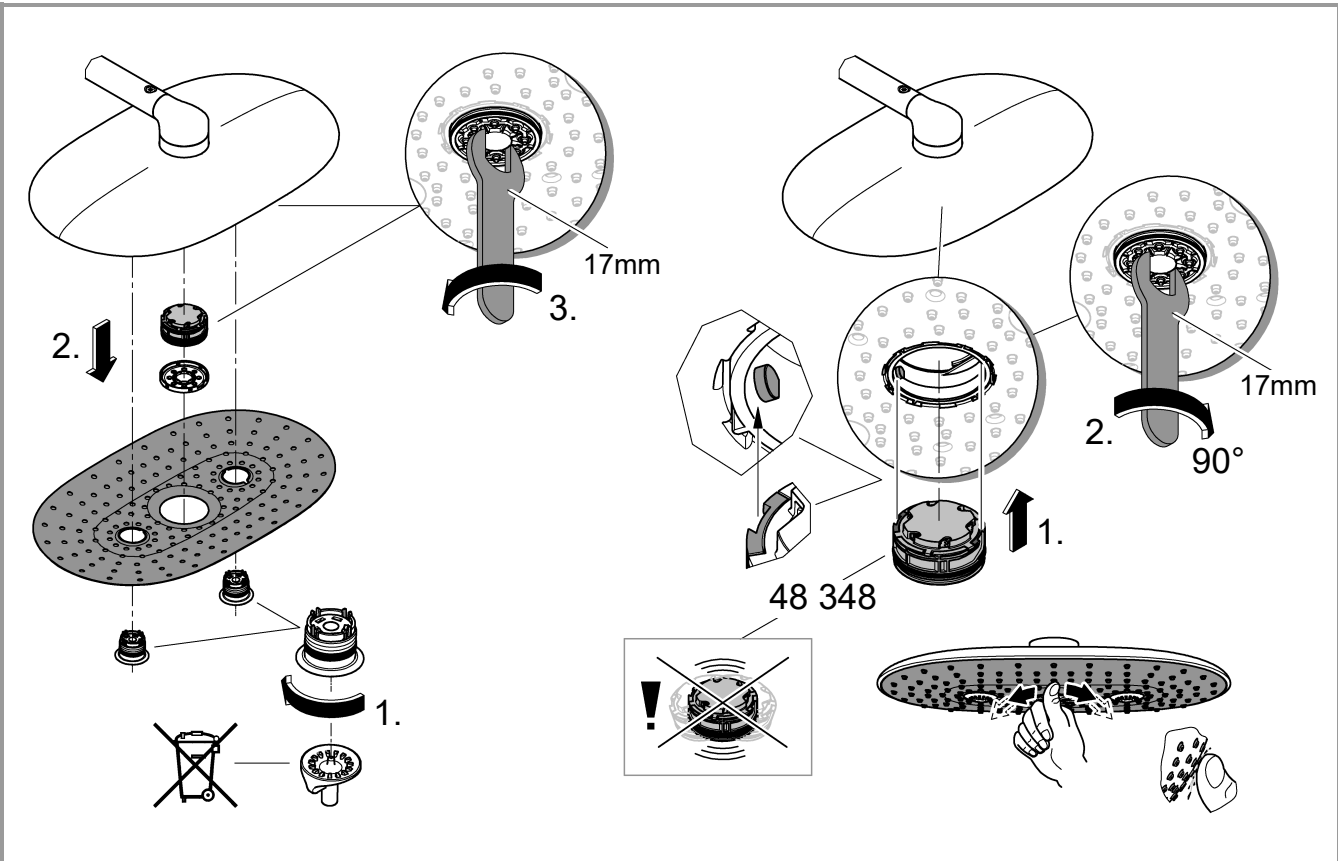


5



6





## Application

- for shower

Can be used in conjunction with:

- Pressurised storage heaters
- Thermally controlled instantaneous heaters
- Hydraulically controlled instantaneous heaters

Operation with unpressurised storage heaters (open water heaters) is not possible.

## Specifications

- Flow pressure min. 150 kPa
- Operating pressure max. 500 kPa

If static pressure is greater than 500 kPa, fit pressure reducer.

Avoid major pressure differences between hot and cold water supply.

- Flow rate at 300 kPa flow pressure approx. 12 L/min
- Temperature  
Hot water inlet: (maximum) 70 °C  
Recommended: (energy saving) 60 °C

## Installation

**Flush piping system prior and after installation of fitting thoroughly** (Consider EN 806)!

This product must be installed in conformance with local codes e.g. AS/NZS 3500 series of standard!

**Installation**, see Figs. [1] to [6].

**Open cold and hot water supply and check connections for leakage!**

## Care

For directions on the care of this fitting, refer to the accompanying Care Instructions.

**AUS**

Tel.: 1800 080 055

Email: [customer.care@reece.com.au](mailto:customer.care@reece.com.au)



**NZ**

Tel.: +64 09 573 0490

Email: [sales@robertson.co.nz](mailto:sales@robertson.co.nz)