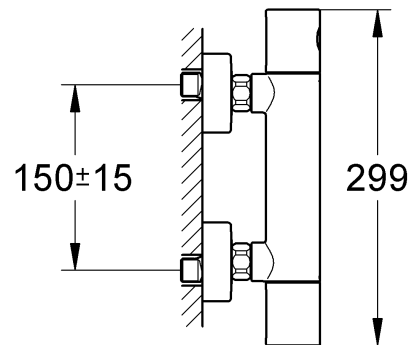
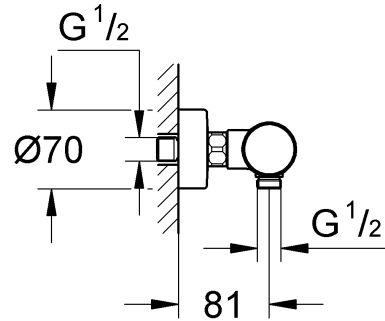
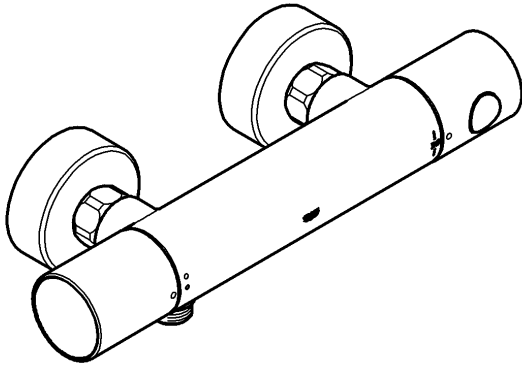
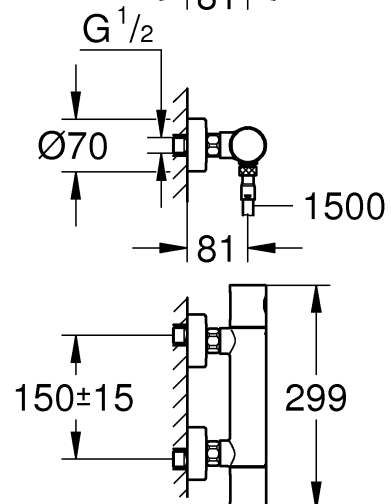
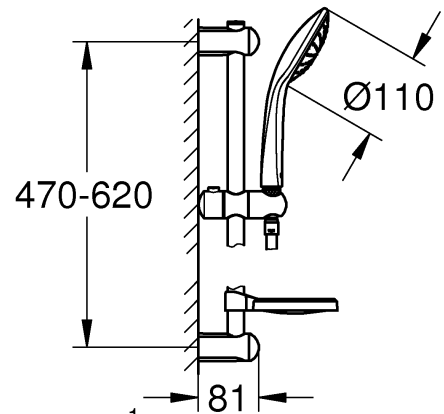
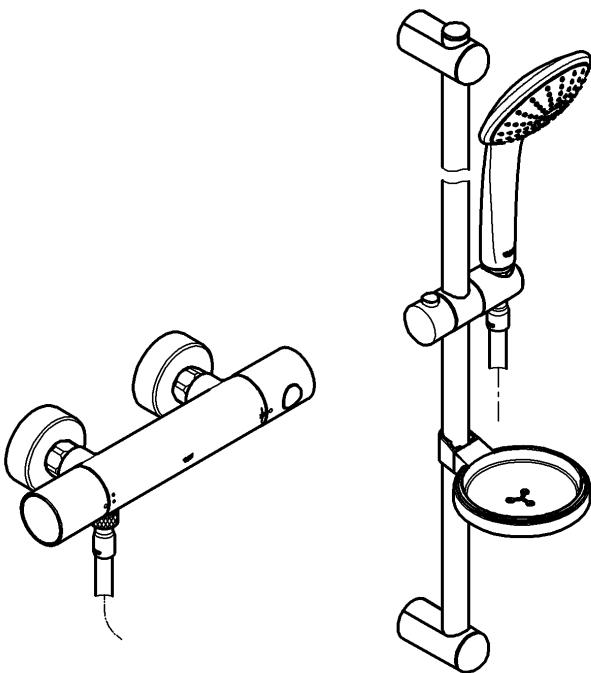


34 430

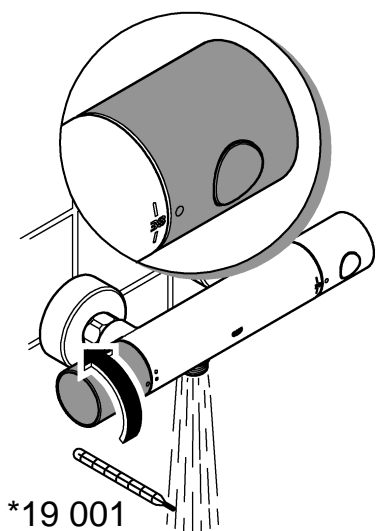
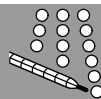
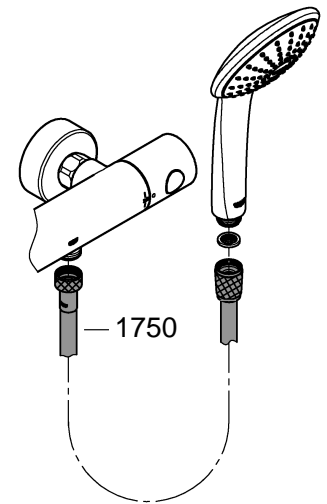
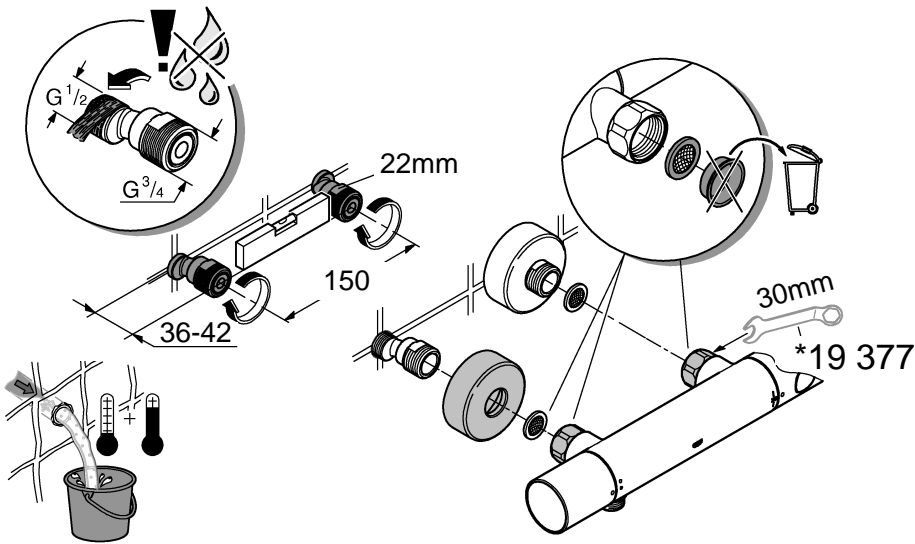
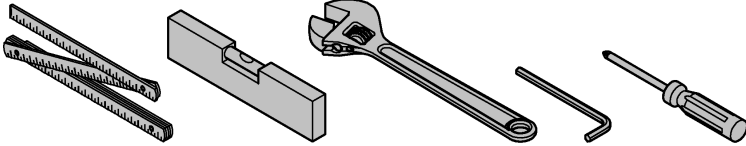
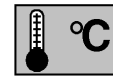
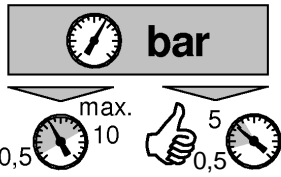
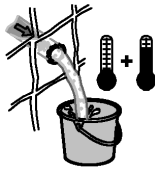


34 437



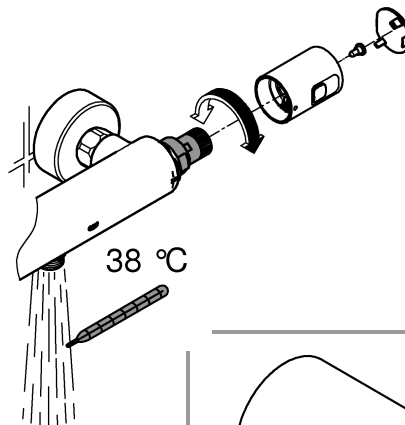


DIN 1988  
DIN EN 806

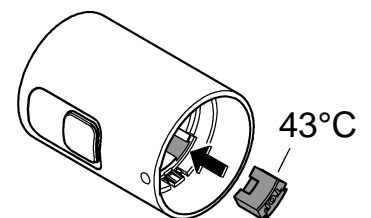


~~38°C~~

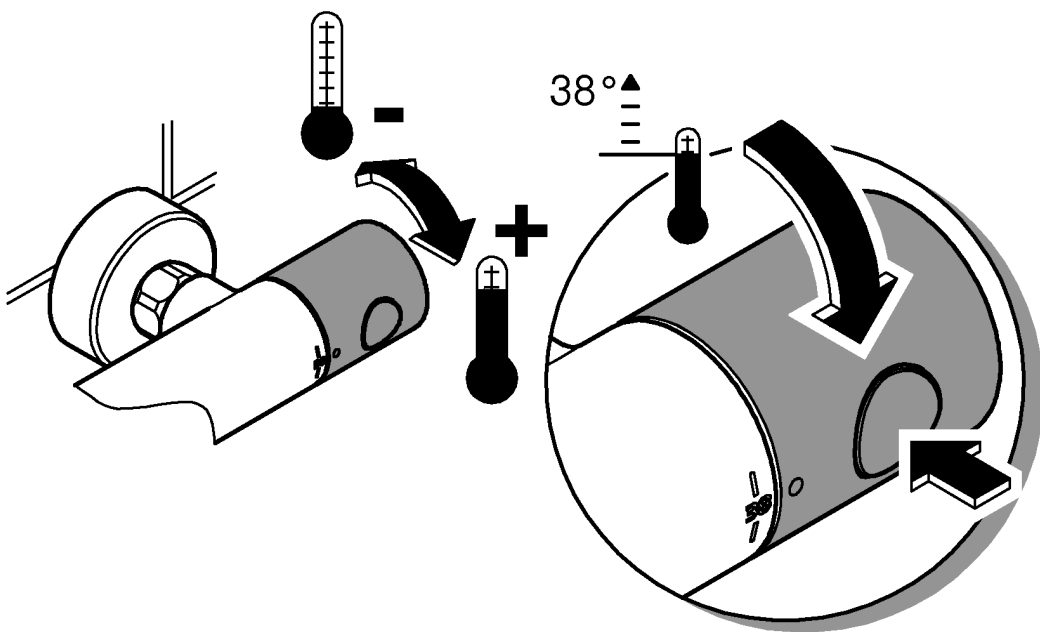
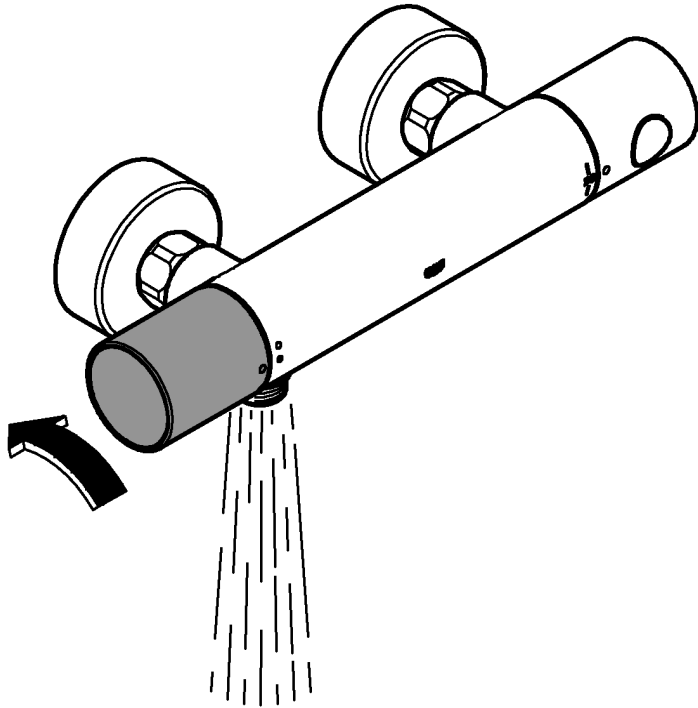
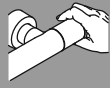
38°C ✓

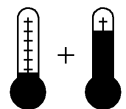
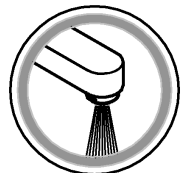
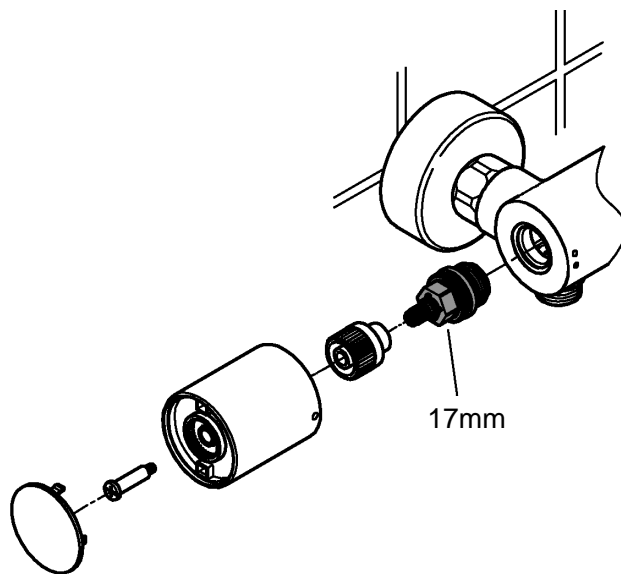
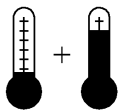
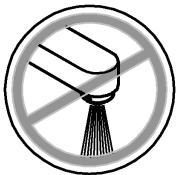
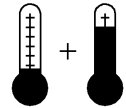
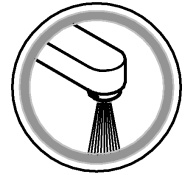
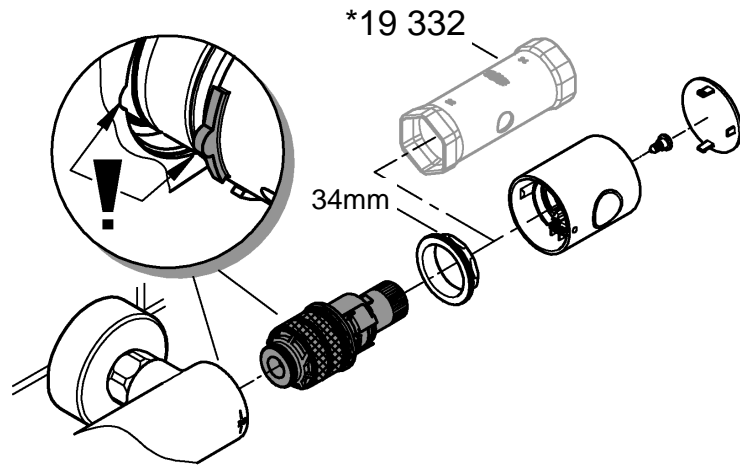
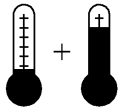
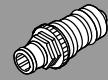


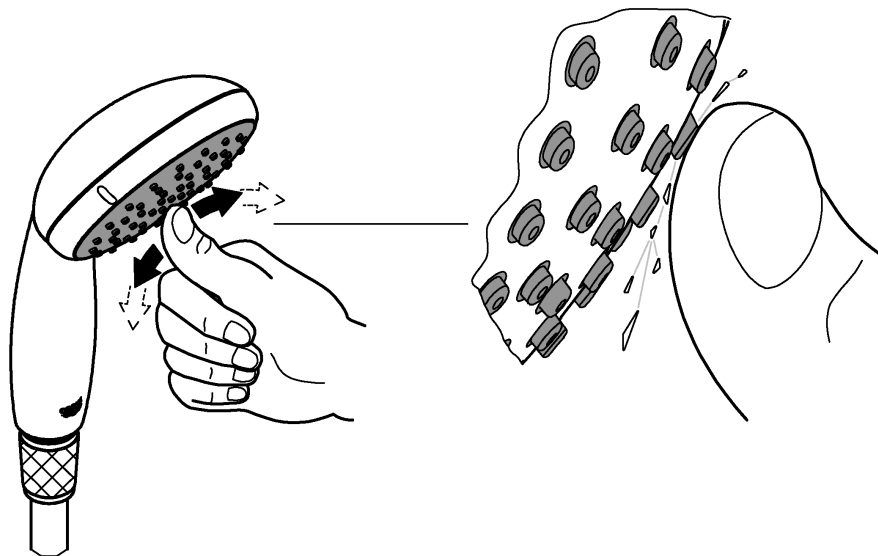
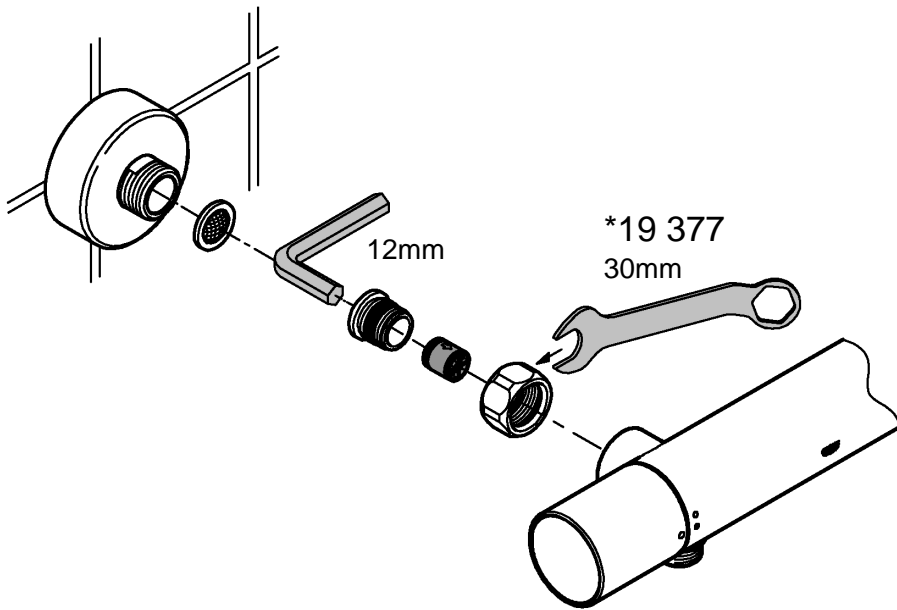
38°C



43°C







**Safety notes**



**Protection against scalding**

It is recommended that near points of discharge with particular sensitivity to the outlet temperature (hospitals, schools, nursing and retirement homes) thermostatic devices should be installed which can limit the water temperature to 43 °C. The product includes an appropriate temperature end stop. It is generally recommended that the temperature of shower-systems should not exceed 38 °C in nurseries and specific areas of care centres. Use Grohtherm Special thermostats with special handle to facilitate thermal disinfection and appropriate safety end stop. Applicable standards (e. g. EN 806-2) and technical regulations for drinking water must be observed.

**Application**

Thermostat mixers are designed for hot water supply via pressurised storage heaters and, utilised in this way, provide the best temperature accuracy. With sufficient power output (from 18 kW or 250 kcal/min), electric or gas instantaneous heaters are also suitable.

Thermostats **cannot** be used in conjunction with non-pressurised storage heaters (displacement water heaters).

All thermostats are adjusted in the factory at a flow pressure of 3 bar on both sides.

Should temperature deviations occur on account of special installation conditions, the thermostat must be adapted to local conditions (see Adjusting).

**Specifications**

	limits of use	recommended limits for correct operation
Dynamic pressure	0,5 to 10 bar	0,5 to 5 bar
Mechanical strength	static pressure 10 bar	
Test pressure	16 bar	

If static pressure is greater than 5 bar, fit pressure reducer.

Avoid major pressure differences between cold and hot water supply.

- Maximum difference between cold- and hot water supply pressure: 1: 5
- Temperature
  - Hot water inlet (maximum): 70 °C
  - Recommended (energy saving): 60 °C
  - Thermal disinfection possible
  - Safety stop: 38 °C
- Water connection cold - right hot - left
- Minimum flow rate: = 5 l/min
- Hot water temperature at supply connection min. 2 °C higher than mixed water temperature



**Installation**

The projection can be increased by 20mm with an extension, see Replacement Parts, Prod. no. 07 130.

**Reversed connection** (hot on right - cold on left).

Replace thermostatic compact cartridge, see Replacement parts, Prod. no.: 47 175 (1/2").

**Installation of the shower rail**

When installing e.g. on plasterboard walls (not solid walls) it must be assured that an appropriate reinforcement is in place to ensure sufficient strength.

For better fixing into dry-lined walls a mounting frame can be used, see Replacement Parts, Prod. no.: 18 153.



**Adjusting**

**Temperature adjustment**

**Prevention of frost damage**

When the domestic water system is drained, thermostat mixers must be drained separately, since non-return valves are installed in the hot and cold water connections. For this purpose, the mixer must be removed from the wall.



**Maintenance**

Inspect and clean all parts, replace if necessary and lubricate with special valve grease.

**Shut off the hot and cold water supply.**



**Thermostatic compact cartridge**

Readjustment is necessary after every maintenance operation on the thermostatic compact cartridge (see Adjusting).



**Shower**

The function of the SpeedClean nozzles is guaranteed for a period of five years.

Thanks to the SpeedClean nozzles, which must be regularly cleaned, limescale deposits on the rose can be removed by simply rubbing with the fingers

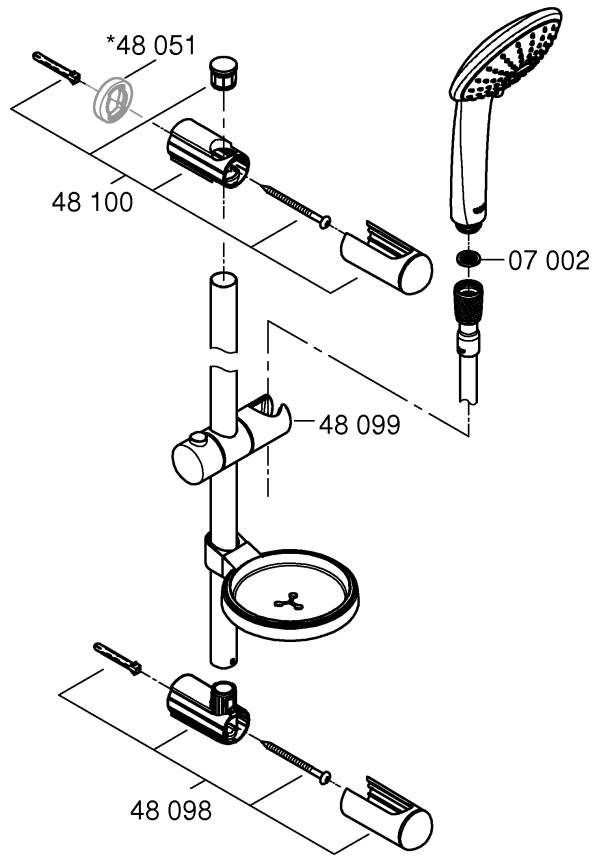
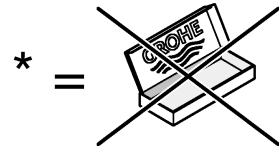
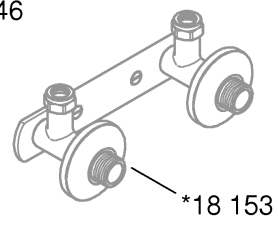
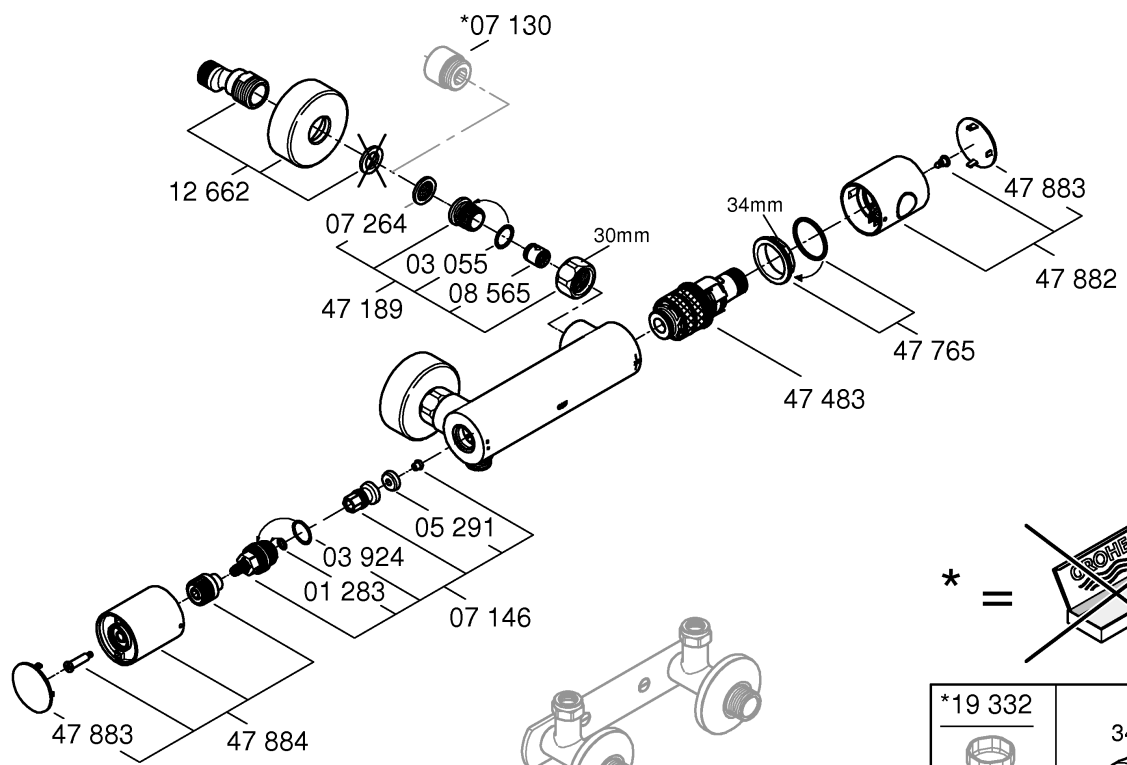
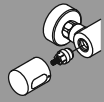


**Replacement parts**

\* = special accessories

**Care**

For directions on care, refer to the accompanying Care Instructions.



*19 332	34mm
*19 377	30mm
*07 130	+20
*48 051	+8
	47 483
	*47 175

Pure Freude an Wasser

**GROHE**  
WAVES

**D**

+49 571 3989 333  
helpline@grohe.de

**A**

+43 1 68060  
info-at@grohe.com

**AUS**

+(61) 1300 54945  
grohe\_australia@lixil.com

**B**

+32 16 230660  
info.be@grohe.com

**BG**

+359 2 9719959  
grohe-bulgaria@grohe.com

**BR**

0800 770 1222  
falecom@grohe.com

**CAU**

+99 412 497 09 74  
info-az@grohe.com

**CDN**

+1 888 6447643  
info@grohe.ca

**CH**

+41 44 877 73 00  
info@grohe.ch

**CN**

+86 4008811698  
info.cn@grohe.com

**CY**

+357 22 465200  
info@grome.com

**CZ**

+358 942 451 390  
grohe-cz@grohe.com

**DK**

+45 44 656800  
grohe@grohe.fi

**E**

+34 93 3368850  
grohe@grohe.es

**EST**

+372 6616354  
grohe@grohe.ee

**F**

+33 1 49972900  
sav-fr@grohe.com

**FIN**

+358 942 451 390  
grohe@grohe.fi

**GB**

+44 871 200 3414  
info-uk@grohe.com

**GR**

+30 210 2712908  
nsapountzis@ath.forthnet.gr

**H**

+36 1 2388045  
info-hu@grohe.com

**HK**

+852 2969 7067  
info@grohe.hk

**I**

+39 2 959401  
info-it@grohe.com

**IND**

+91 1800 102 4475  
customercare.in@grohe.com

**IS**

+354 515 4000  
jonst@byko.is

**J**

+81 3 32989730  
info@grohe.co.jp

**KZ**

+7 727 311 07 39  
info-cac@grohe.com

**LT**

+372 6616354  
grohe@grohe.ee

**LV**

+372 6616354  
grohe@grohe.ee

**MAL**

info-malaysia@grohe.com

**MX**

01800 8391200  
pregunta@grohe.com

**N**

+47 22 072070  
grohe@grohe.no

**NL**

+31 79 3680133  
vragen-nl@grohe.com

**NZ**

technicalenquiries@paterson  
trading.co.nz

**P**

+351 234 529620  
commercial-pt@grohe.com

**PL**

+48 22 5432640  
biuro@grohe.com.pl

**RI**

0-800-1-046743  
customercare-  
indonesia@asia.lixil.com

**RO**

+40 21 2125050  
info-ro@grohe.com

**ROK**

+82 2 1588 5903  
info-singapore@grohe.com

**RP**

+63 2 8938681

**RUS**

+7 495 9819510  
info@grohe.ru

**S**

+46 771 141314  
grohe@grohe.se

**SGP**

+65 6311 3611  
info-singapore@grohe.com

**SK**

+420 277 004 190  
grohe-cz@grohe.com

**T**

+66 21681368  
(Haco Group)  
info@haco.co.th

**TR**

+90 216 441 23 70  
GroheTurkey@grome.com

**UA**

+38 44 5375273  
info-ua@grohe.com

**USA**

+1 800 4447643  
us-customerservice@grohe.com

**VN**

+84 90 9694768  
+84 90 9375068  
info-vietnam@grohe.com

**AL** **BiH** **HR** **KS**

**ME** **MK** **SLO** **SRB**

+385 1 2911470  
adria-hr@grohe.com

**Eastern Mediterranean,  
Middle East - Africa  
Area Sales Office:**

+357 22 465200  
info@grome.com

**IR** **OM** **UAE** **YEM**

+971 4 3318070  
grohedubai@grome.com

**Far East Area Sales Office:**

+65 6311 3600  
info@grohe.com.sg

**Latin America:**

+52 818 3050626  
pregunta@grohe.com

**www.grohe.com**

2016/09/28