

GROHTHERM 2000 NEW
DESIGN + ENGINEERING
GROHE GERMANY

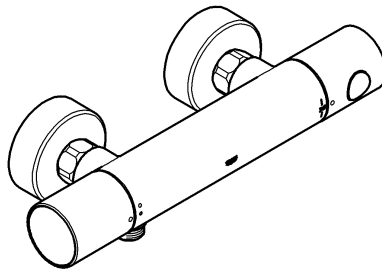
99.829.031/ÄM 241621/11.17

www.grohe.com

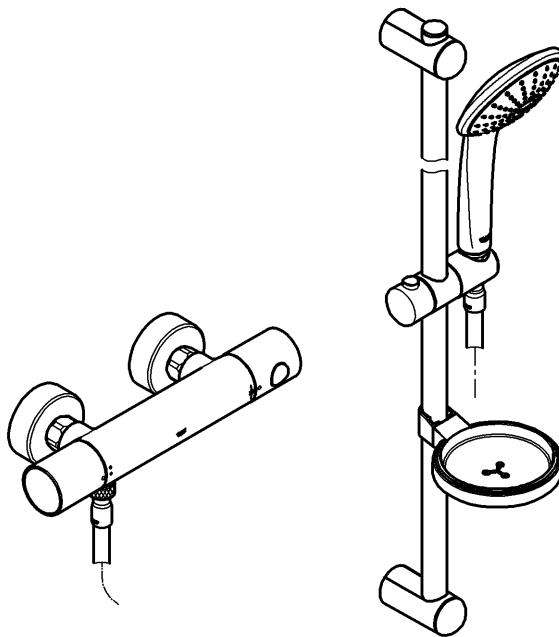
Pure Freude an Wasser



34 430

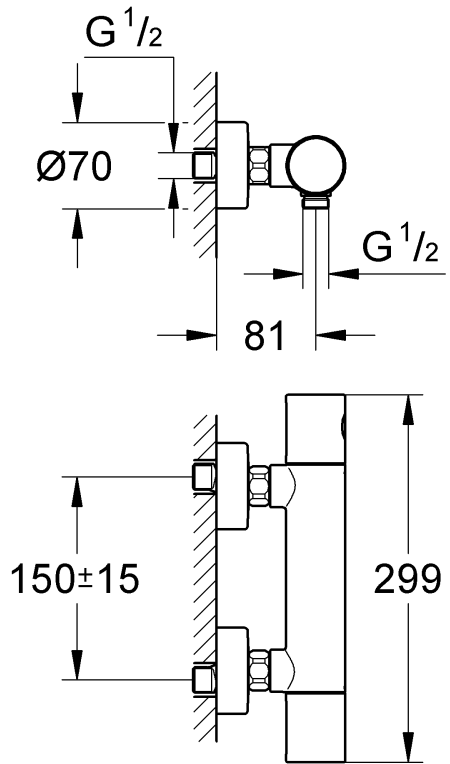


34 437

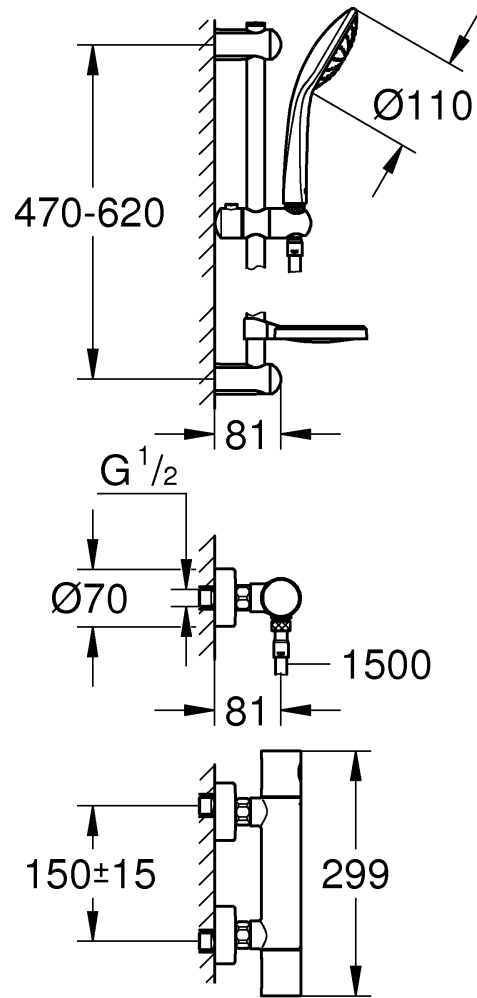


GB1

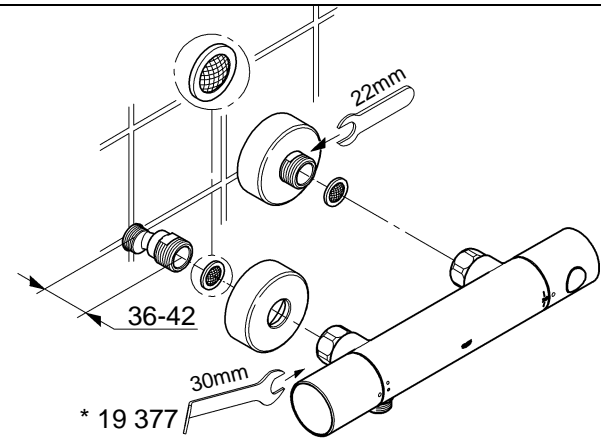
34 430



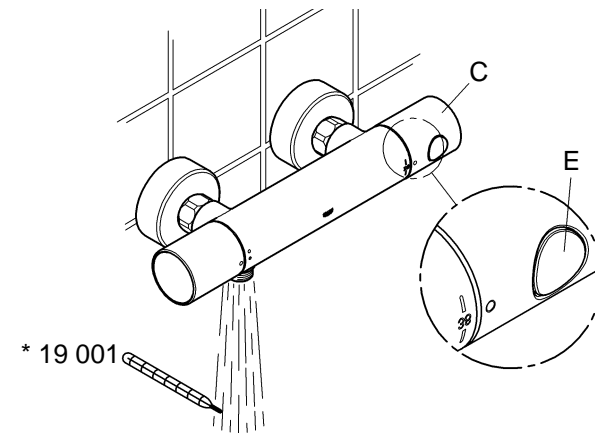
34 437



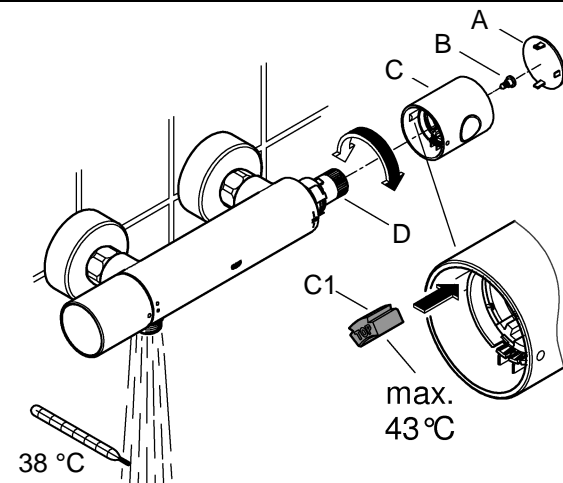
1



2



3



Please pass these instructions on to the end user of the fitting!



Safety notes



Protection against scalding

It is recommended that near points of discharge with particular sensitivity to the outlet temperature (hospitals, schools, nursing and retirement homes) thermostatic devices should be installed which can limit the water temperature to 43 °C. The product includes an appropriate temperature end stop. It is generally recommended that the temperature of shower-systems should not exceed 38 °C in nurseries and specific areas of care centres. Use Grohtherm Special thermostats with special handle to facilitate thermal disinfection and appropriate safety end stop. Applicable standards (e. g. EN 806-2) and technical regulations for drinking water must be observed.

Application

Thermostat mixers are designed for hot water supply via pressurised storage heaters and, utilised in this way, provide the best temperature accuracy. With sufficient power output (from 18 kW or 250 kcal/min), electric or gas instantaneous heaters are also suitable.

Thermostats **cannot** be used in conjunction with non-pressurised storage heaters (displacement water heaters).

All thermostats are adjusted in the factory at a flow pressure of 3 bar on both sides.

Should temperature deviations occur on account of special installation conditions, the thermostat must be adapted to local conditions (see Adjusting).

Specifications

	limits of use	recommended limits for correct operation
Dynamic pressure	0,1 to 1 bar	0,2 to 1 bar
Mechanical strength	static pressure 10 bar	
Test pressure	16 bar	

If static pressure is greater than 5 bar, fit pressure reducer. Avoid major pressure differences between cold and hot water supply.

- Maximum difference between cold- and hot water supply pressure: 1: 5
- Flow rate at 0.1 bar flow pressure without downstream restrictor: approx. 5.5 l/min
- Flow rate at 3 bar flow pressure: approx. 42 l/min
- Temperature
 - Hot water inlet (maximum): 70 °C
 - Recommended (energy saving): 60 °C
 - Thermal disinfection possible
 - Safety stop: 38 °C
- Water connection cold - right hot - left
- Minimum flow rate: = 5 l/min

Installation

Flush piping system prior and after installation of fitting thoroughly (Consider EN 806)! Install S-unions and screw-mount the mixer, see fold-out page I, Fig. [1].

Refer to the dimensional drawings on fold-out page I.

The projection can be increased by 20mm with an extension, see Replacement Parts, fold-out page II, Prod. no. 07 130.

For better fixing into dry-lined walls a mounting frame can be used (see Replacement Parts, fold-out page II, Prod. no.: 18 153).

Adjustment

Temperature adjustment, see Figs. [2] and [3].

1. Open the shut-off valve and check the temperature of the water with a thermometer, see Fig. [2].
2. Lever out cap (A), see Fig. [3].
3. Remove screw (B).
4. Detach temperature control handle (C).
5. Turn regulating nut (D) until the water temperature has reached 38 °C.
6. Install temperature control handle (C) so that button (E) points towards the front, see Fig. [2].
7. Screw in screw (B), see Fig. [3].
8. Refit cap (A).

Temperature limitation

The safety stop limits the temperature range to 38 °C. The 38°C limit can be overridden by pressing the button (E).

Temperature end stop

If the temperature end stop is at 43 °C, insert accompanying temperature limiter (C1) in temperature selection handle (C), see Fig. [3].

Prevention of frost damage

When the domestic water system is drained, thermostat mixers must be drained separately, since non-return valves are installed in the hot and cold water connections. For this purpose, the mixer must be removed from the wall.

Maintenance

Inspect and clean all parts, replace if necessary and lubricate with special valve grease.

Shut off the hot and cold water supply.

I. Non-return valve (F), see fold-out page III, Fig. [4].

- Remove connection nipple (G) by turning clockwise (left-hand thread) using a 12mm allen key.

Install in reverse order.

II. Thermostatic compact cartridge (H), see fold-out page III, Fig. [5].

Install in reverse order.

Observe the correct installation position of the thermostatic compact cartridge (H), see detail.

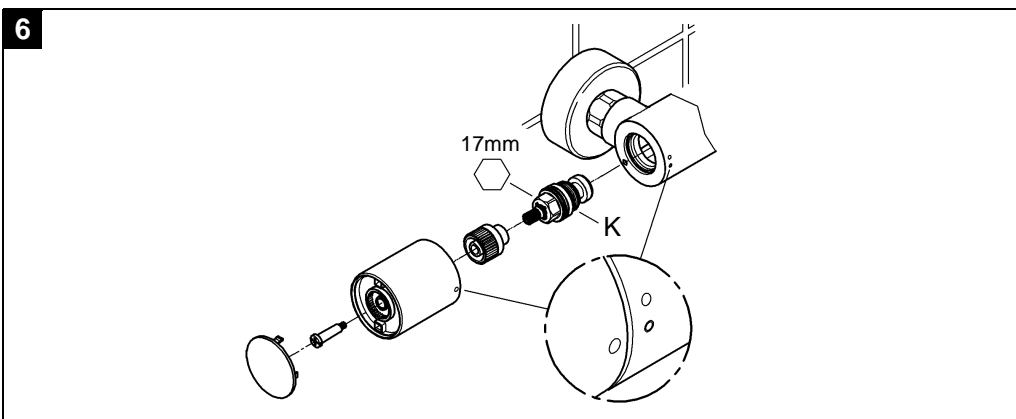
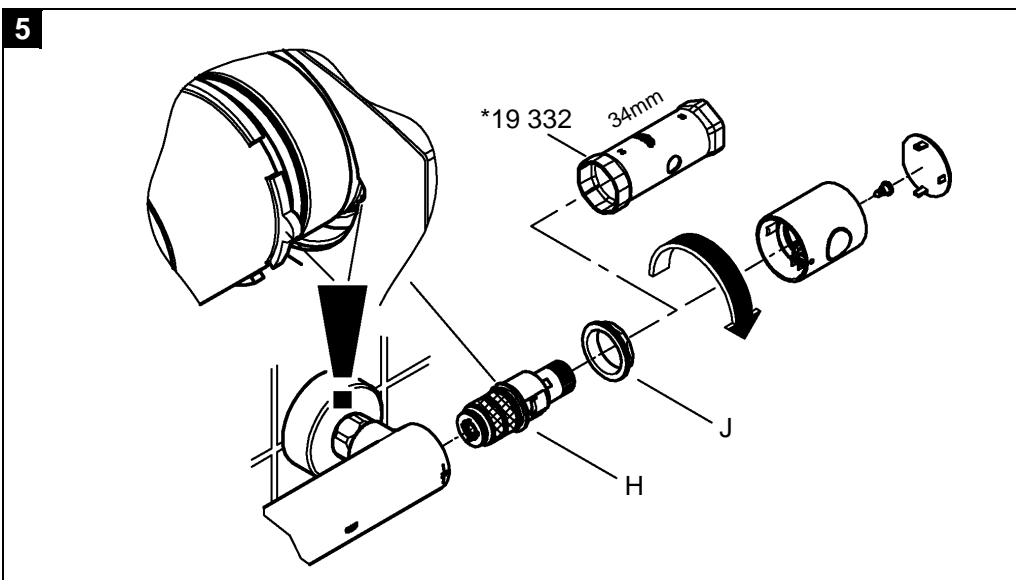
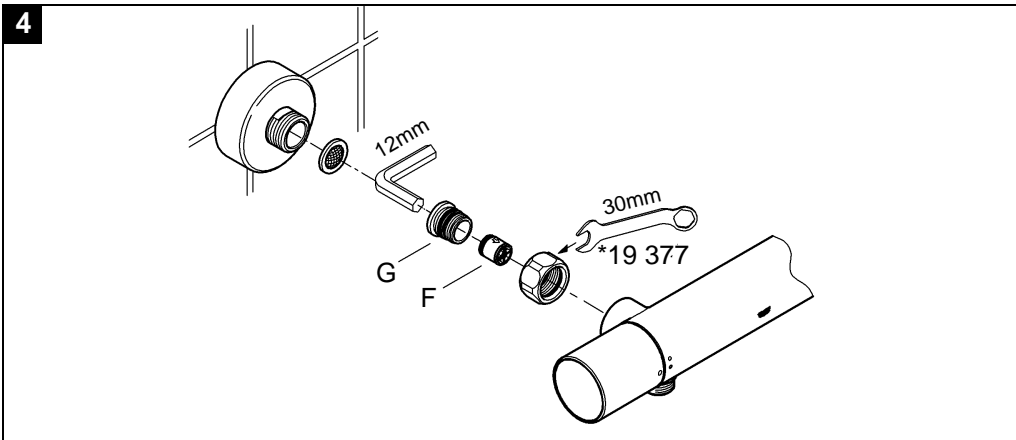
Readjustment is necessary after every maintenance operation on the thermostatic compact cartridge (see Adjustment).

III. Headpart (K), see fold-out page III, Fig. [6].

Replacement Parts, see fold-out pages II (* = special accessories).

Care

For directions on the care of this fitting, refer to the accompanying Care Instructions.



Pure Freude an Wasser

GROHE

(D)

☎ +49 571 3989 333
helpline@grohe.de

(A)

☎ +43 1 68060
info-at@grohe.com

(AUS)

☎ +(61) 1300 54945
grohe_australia@lixil.com

(B)

☎ +32 16 230660
info.be@grohe.com

(BG)

☎ +359 2 9719959
grohe-bulgaria@grohe.com

(BR)

☎ 0800 770 1222
falecom@grohe.com

(CAU)

☎ +99 412 497 09 74
info-az@grohe.com

(CDN)

☎ +1 888 6447643
info@grohe.ca

(CH)

☎ +41 44 877 73 00
info@grohe.ch

(CN)

☎ +86 4008811698
info.cn@grohe.com

(CY)

☎ +357 22 465200
info@grome.com

(CZ)

☎ +358 942 451 390
grohe-cz@grohe.com

(DK)

☎ +45 44 656800
grohe@grohe.fi

(E)

☎ +34 93 3368850
grohe@grohe.es

(EST)

☎ +372 6616354
grohe@grohe.ee

(F)

☎ +33 1 49972900
sav-fr@grohe.com

(FIN)

☎ +358 942 451 390
grohe@grohe.fi

(GB)

☎ +44 871 200 3414
info-uk@grohe.com

(GR)

☎ +30 210 2712908
nsapountzis@ath.forthnet.gr

(H)

☎ +36 1 2388045
info-hu@grohe.com

(HK)

☎ +852 2969 7067
info@grohe.hk

(I)

☎ +39 2 959401
info-it@grohe.com

(IND)

☎ +91 1800 102 4475
customercare.in@grohe.com

(IS)

☎ +354 515 4000
jonst@byko.is

(J)

☎ +81 3 32989730
info@grohe.co.jp

(KZ)

☎ +7 727 311 07 39
info-cac@grohe.com

(LT)

☎ +372 6616354
grohe@grohe.ee

(LV)

☎ +372 6616354
grohe@grohe.ee

(MAL)

info-malaysia@grohe.com

(MX)

☎ 01800 8391200
pregunta@grohe.com

(N)

☎ +47 22 072070
grohe@grohe.no

(NL)

☎ +31 79 3680133
vragen-nl@grohe.com

(NZ)

technicalenquiries@paterson
trading.co.nz

(P)

☎ +351 234 529620
commercial-pt@grohe.com

(PL)

☎ +48 22 5432640
biuro@grohe.com.pl

(RI)

☎ 0-800-1-046743
customercare-
indonesia@asia.lixil.com

(RO)

☎ +40 21 2125050
info-ro@grohe.com

(ROK)

☎ +82 2 1588 5903
info-singapore@grohe.com

(RP)

☎ +63 2 8938681

(RUS)

☎ +7 495 9819510
info@grohe.ru

(S)

☎ +46 771 141314
grohe@grohe.se

(SGP)

☎ +65 6311 3611
info-singapore@grohe.com

(SK)

☎ +420 277 004 190
grohe-cz@grohe.com

(T)

☎ +66 21681368
(Haco Group)
info@haco.co.th

(TR)

☎ +90 216 441 23 70
GroheTurkey@grome.com

(UA)

☎ +38 44 5375273
info-ua@grohe.com

(USA)

☎ +1 800 4447643
us-customerservice@grohe.com

(VN)

☎ +84 90 9694768
☎ +84 90 9375068
info-vietnam@grohe.com

(AL)

(BIH)

(HR)

(KS)

(ME)

(MK)

(SLO)

(SRB)

☎ +385 1 2911470
adria-hr@grohe.com

**Eastern Mediterranean,
Middle East - Africa
Area Sales Office:**

☎ +357 22 465200
info@grome.com

(IR)

(OM)

(UAE)

(YEM)

☎ +971 4 3318070
grohedubai@grome.com

Far East Area Sales Office:

☎ +65 6311 3600
info@grohe.com.sg

Latin America:

☎ +52 818 3050626
pregunta@grohe.com

www.grohe.com

2016/09/28