

**ALLURE**

DESIGN + ENGINEERING  
GROHE GERMANY

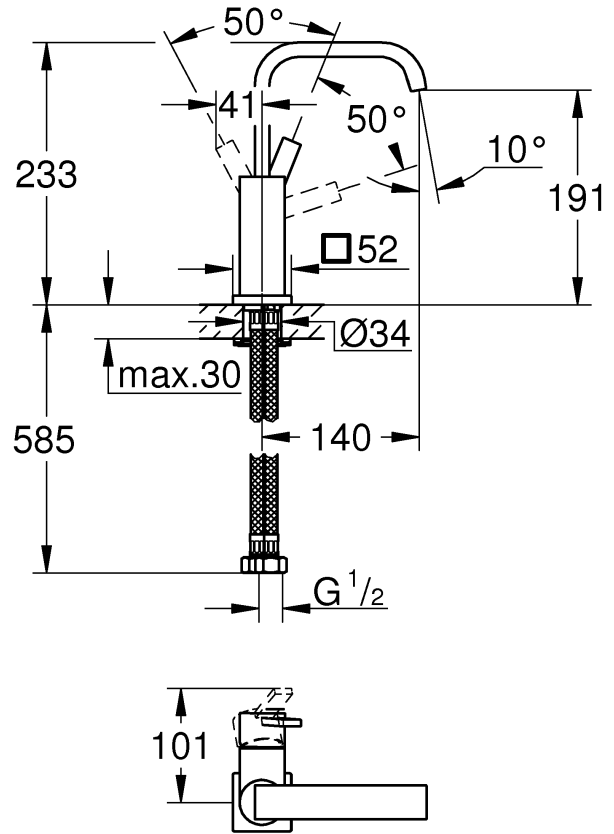
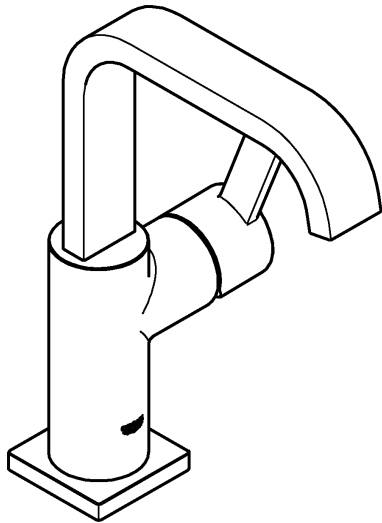
96.197.531/ÄM 240873/12.17

www.grohe.com

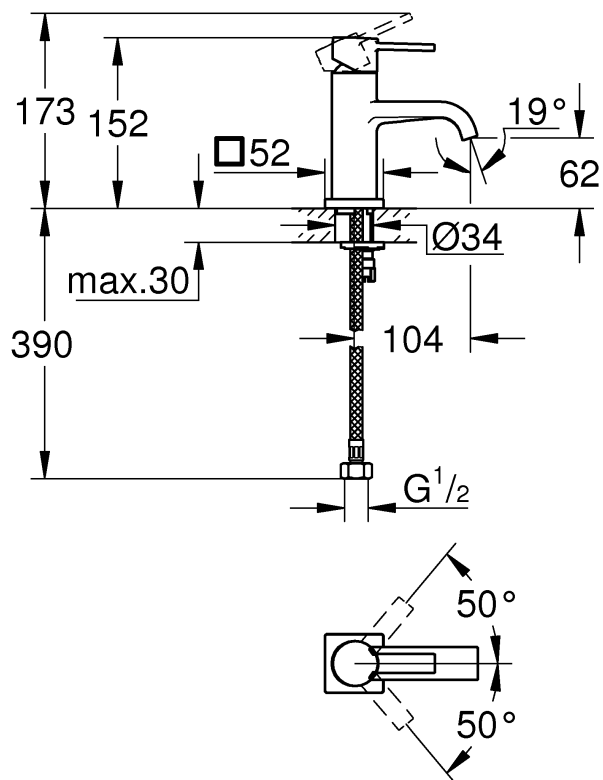
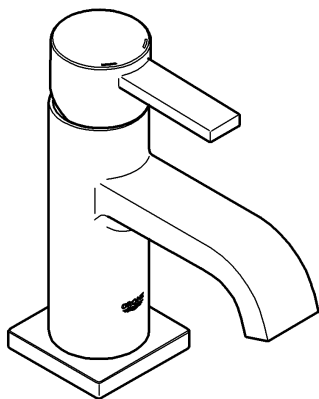
Pure Freude  
an Wasser

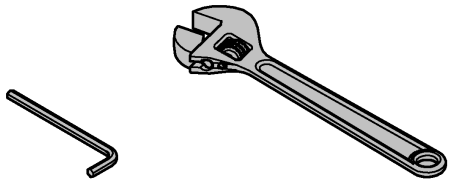


23 534



32 759

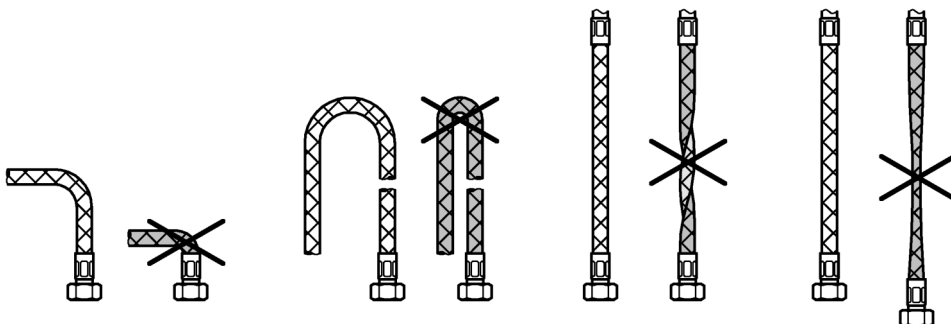
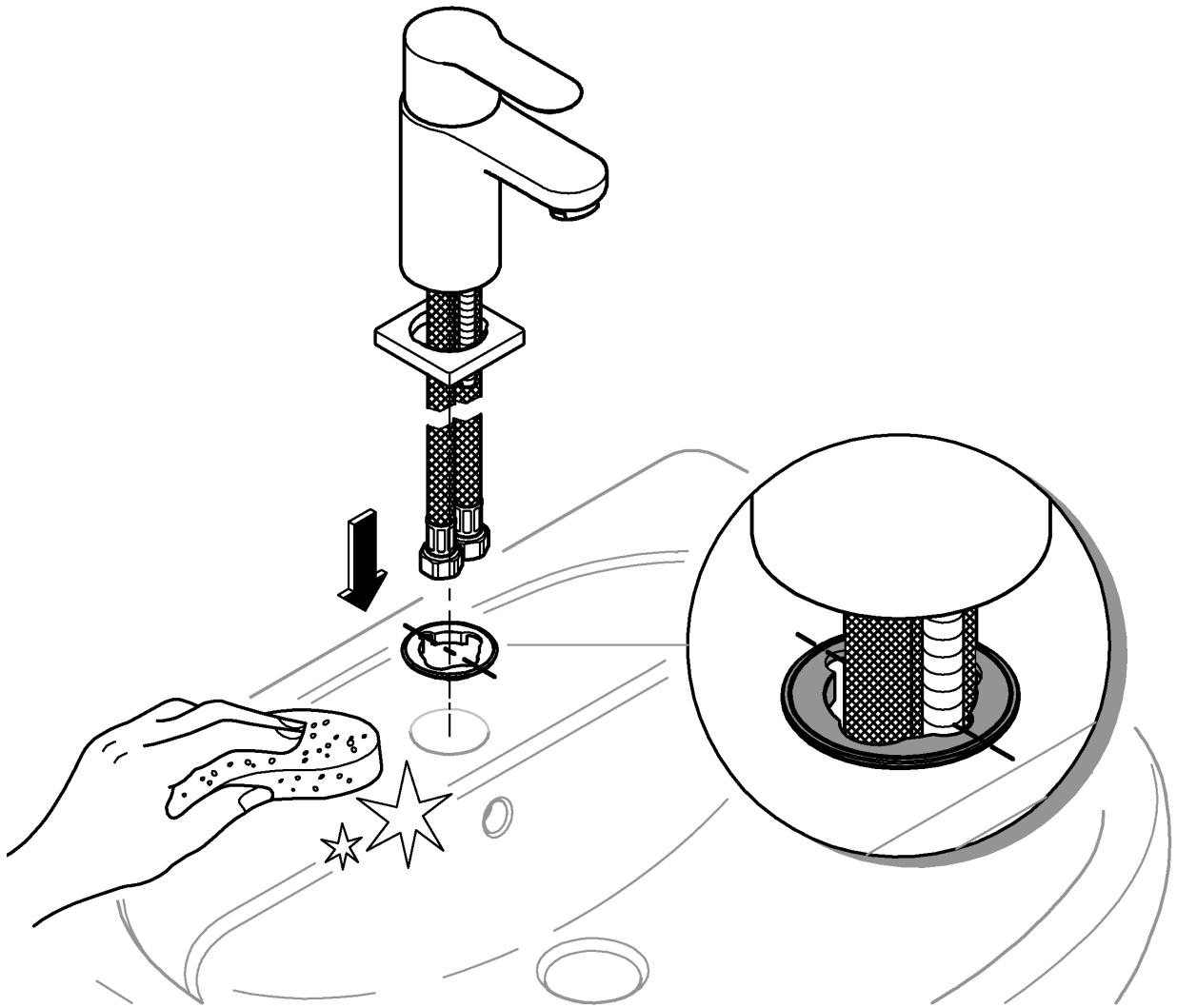


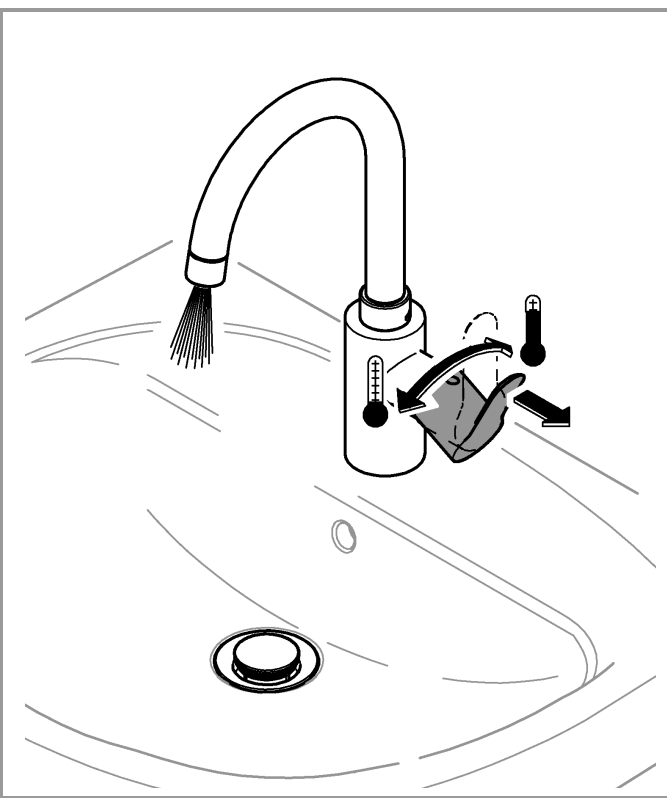
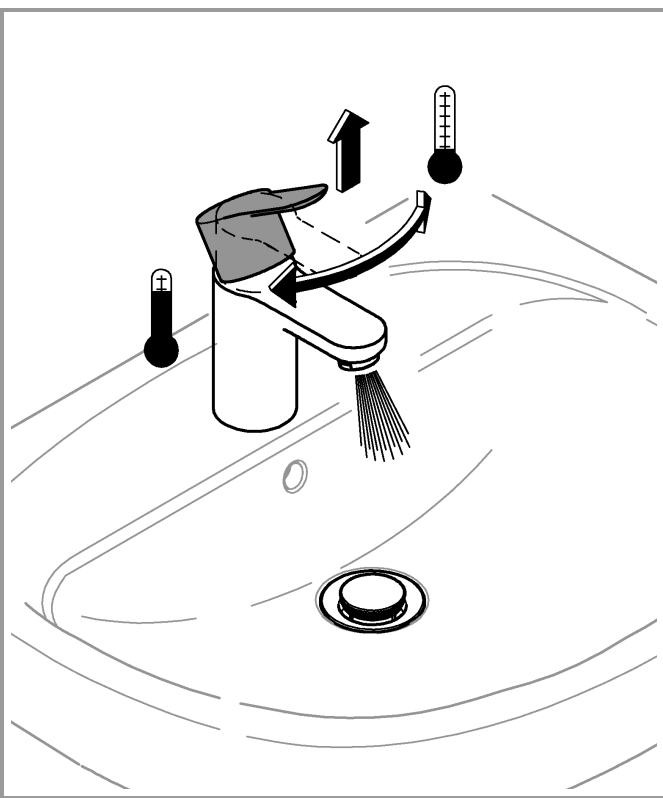
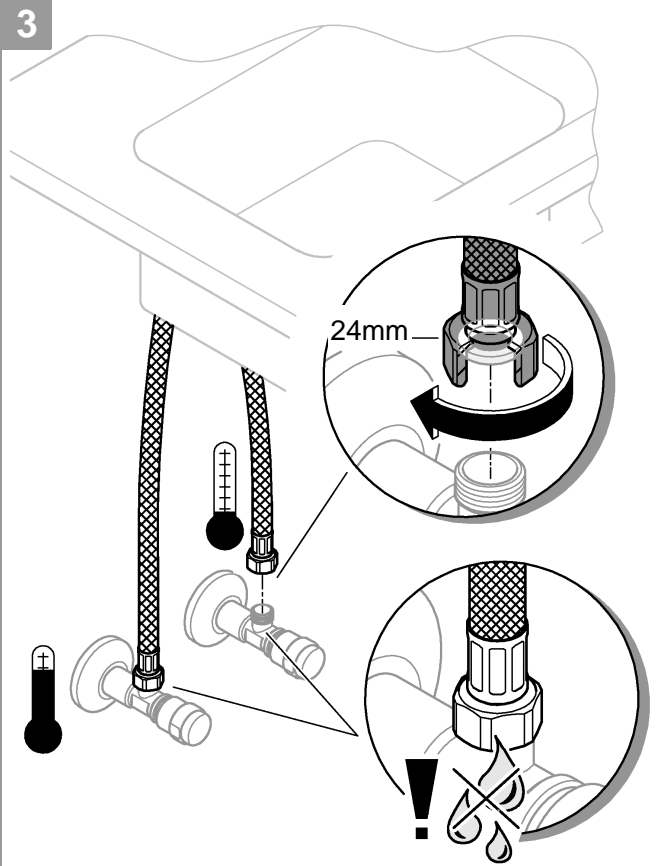
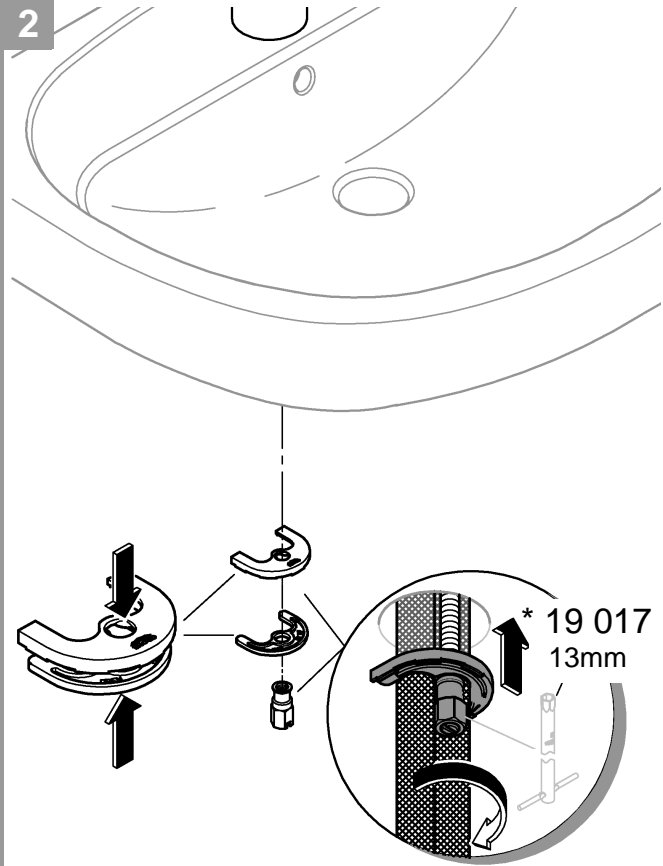


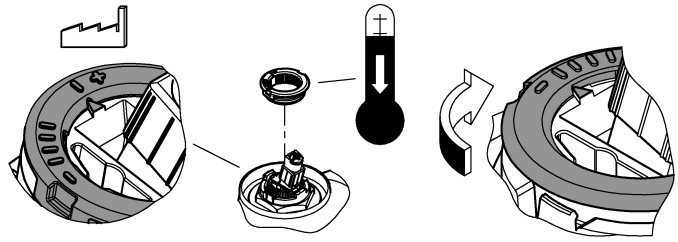
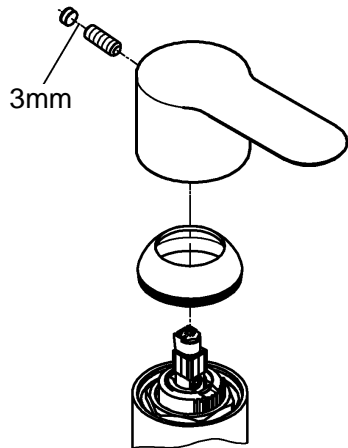
13mm  
\*19 017




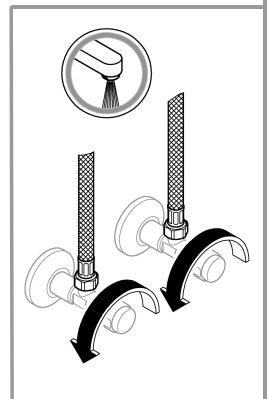
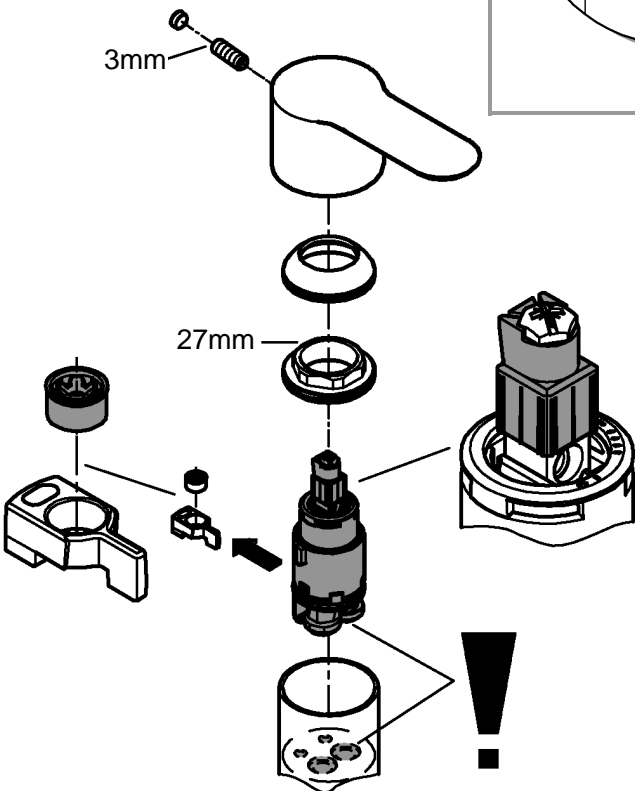
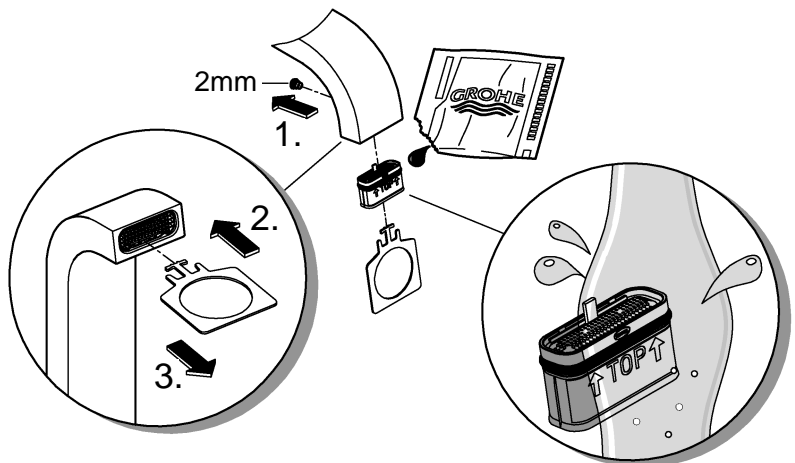
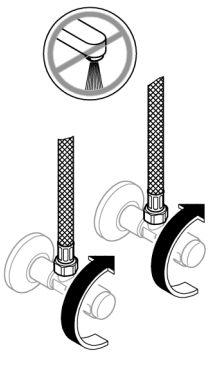
1

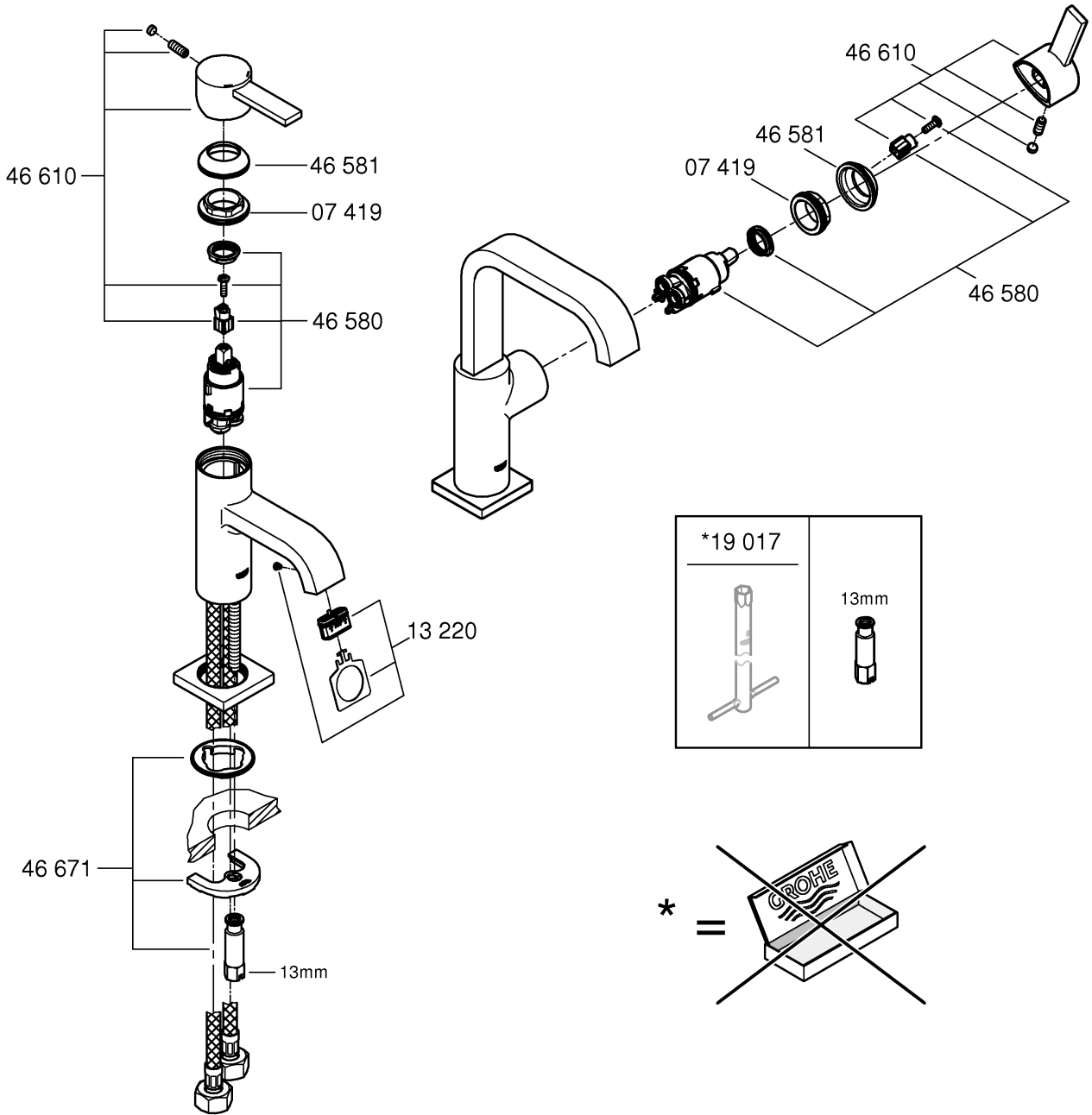






MAINTENANCE 





## Application

- for basin

Can be used in conjunction with:

- Pressurised storage heaters
- Thermally controlled instantaneous heaters
- Hydraulically controlled instantaneous heaters

Operation with unpressurised storage heaters (open water heaters) is **not** possible.

## Specifications:

- Flow pressure min. 50 kPa - recommended 100 - 500 kPa
- Operating pressure max. 1000 kPa
- Test pressure 1600 kPa

If static pressure is greater than 500 kPa, fit pressure reducer.

Avoid major pressure differences between hot and cold water supply.

- Flow rate at 300 kPa flow pressure approx. 5 L/min
- Temperature  
Hot water inlet: (maximum) 70 °C  
Recommended: (energy saving) 60 °C  
Thermal disinfection possible
- Water connection cold - right hot - left



## Installation

**Flush piping system prior and after installation of fitting thoroughly (Consider EN 806)!**

This product must be installed in conformance with local codes e.g. AS/NZS 3500 series of standard!

**Installation and connection**, see Fig. [1] - [3].

Refer to the dimensional drawing.

The cold-water supply must be connected on the right and the hot-water supply on the left.

**Open cold and hot-water supply and check connections for watertightness!**



**Check fitting for correct operation.**



**Temperature limiter** is inoperative on delivery.



## Maintenance

Inspect and clean all parts, replace as necessary and grease with special grease.

**Shut off cold and hot water supply!**

**Replacing the cartridge.**

Assemble in reverse order.

**Observe the correct installation position!**

Make sure that the cartridge seals engage in the grooves on the housing. Screw in and tighten screwing.



**Replacement parts** ( \* = special accessories).

## Care

For directions on the care of this fitting, refer to the accompanying Care Instructions.

**AUS**

Reece Australia Pty Ltd  
118 Burwood Hwy  
Burwood VIC 3125

Tel.: +61 3 9274 0000  
Email: admin@reece.com.au



**NZ**

Robertson  
25 Vestey Drive  
Mt Wellington, Auckland

Tel.: +64 9 5730490  
Email: sales@robertson.co.nz