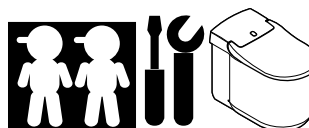




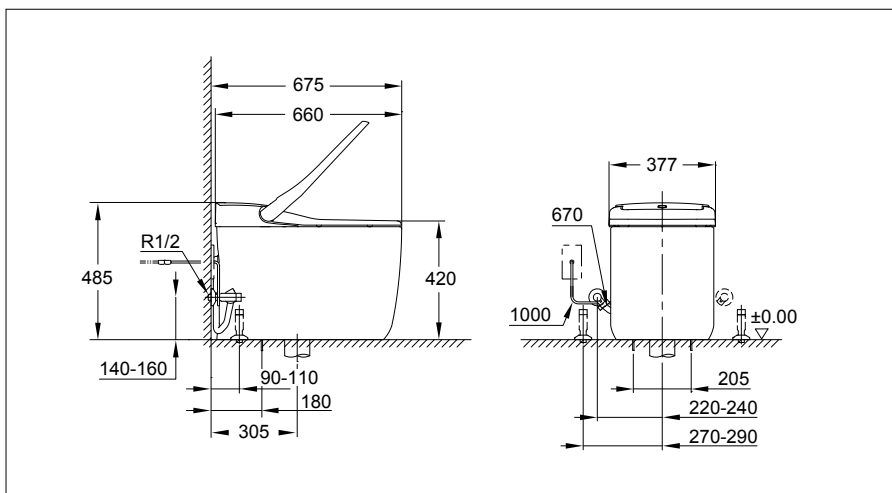
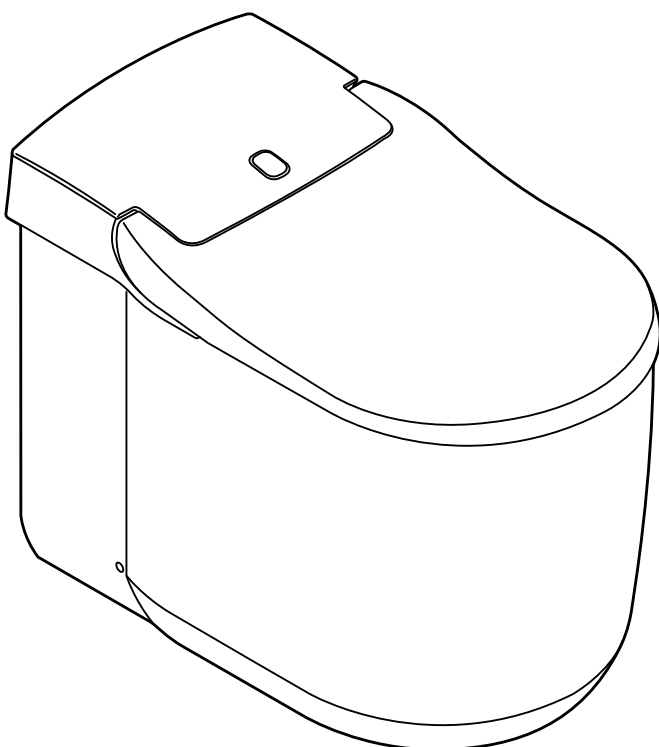
39355SH0

INSTALLATION MANUAL **GB**2

安装手册 **CN**8



....14





This manual consists of two parts; the first part contains safety precautions and descriptions of the procedures when installing the toilet, and the second part contains visual installation methods. Please use this manual in reference to each part.

Safety Precautions

For safe installation and use of the product, please read the precautions thoroughly before installing the product.


DANGER An imminently hazardous situation which, if not avoided, will result in death or serious injury.

WARNING A potentially hazardous situation which, if not avoided, could result in death or serious injury.


CAUTION A potentially hazardous situation which, if not avoided, may result in minor or moderate injury or damage to the product or other property.


DANGER


 **Improper connection of the power plug or socket can result in a risk of electric shock.**


 **All electrical installation work must be carried out by a qualified electrician.**
There is a danger of short circuit and/or electric shock.


WARNING


 **Follow the instructions described in this manual, and install the product properly.**
Failure to do so may cause electric shock, fire, injury, water leakage, and/or flooding.


 **Do not allow anyone except an authorized service technician to disassemble, repair, or modify the product.**
There is a danger of electric shock or fire, and the product could malfunction, causing injury.


 **Do not connect or disconnect the power plug or socket or power cord with wet hands.**
There is a danger of electric shock.


 **Hold the plug or socket when connecting or disconnecting the power plug or socket.**
If the plug or socket is connected or disconnected by holding the cord, there is a danger of fire or electric shock due to the plug or socket or cord becoming damaged.


 **Do not pour water or the cleanser inside or onto the toilet seat unit, remote control, or power plug or socket.**
It may cause electric shock or fire.


 **Do not use any power supply other than AC 220V-240V. Also, do not use any other method to connect the plug or socket to an improperly configured receptacle.**
Exceeding the rated voltage for use may cause an electric shock or fire.

 **Be sure to use a VVF cable (with solid copper wires 0.75 mm dia. each) for the power cord.**
If a power cord other than the one specified above is used (such as strand wires, strand wires attached with terminals, etc.), it may result in overheating due to bad connection and cause erosion, burnout, fire of the product and cord.

 **Be sure to insert the tip of the wires of the power cords securely into the inlets of the power socket.**
Failure to do so may cause fire.

 **Connect the power completely.**
There is a danger of fire or electric shock due to the cord becoming damaged.

 **Do not damage, bend, modify, excessively twist, bind, sandwich, or place heavy objects on the power cord.**
There is a danger of fire or electric shock due to the cord becoming damaged.

 **Do not install this product in a wet or damp location, such as inside a shower room or steam room.**
There is a danger of electric shock or fire.



Do not attach the product to any water source other than potable water.

It may cause electric shock, fire and skin inflammation due corrosion of electronic parts inside the seat unit.



Do not disassemble or modify the product.

It may cause electric shock or fire.



Do not use loosen outlet.

It may cause electric shock or fire.



CAUTION



Install a high-sensitivity, high-speed ground fault circuit interrupter (with a rated current value of 15 mA or below) on the primary side of the power supply.
There is a danger of electric shock.



The toilet bowl is made of ceramics, and ceramics are fragile. Note the following when handling the toilet bowl:

- Prior to installation, make sure that the toilet bowl is in a good condition and not damaged.
- After installation, check the toilet bowl for any damages.

Failure to do so may cause injury, water leakage and/or flooding.



Wash out foreign materials or rust inside the pipes before connecting the product.
Failure to do so could damage the internal parts of the product, which may cause water leakage and/or flooding.



Note the following when using the strainer:

- Close the water shutoff valve when removing the strainer.
- When installing the strainer, tighten it fully so there is no gap.
- Check that the O-ring is free from foreign materials when attaching it.

If foreign materials are attached to the O-ring, it may cause flooding due to water leakage.



Adjust the water shutoff valve and check for water leakage after the installation.
It may cause water leakage and/or flooding.



If the water is expected to be frozen, drain the water out from the product until rendering it to the client.
Failure to do so may cause fire, water leakage, and/or flooding due to damage from freezing.



Drain the air from the pipes after any building construction or renovation, or when water supply is restored after an interruption.
If the water supply contains air, it may cause damage or malfunction to the product or pipes. There is a danger of injury or damage to the building or furniture due to flooding.

GB

Power Supply

Install the cord and outlet according to the specifications below.

The power distribution work should be done by an electrical contractor.

- **Use an AC 220V-240V power supply with a consumption rating.**
If the product is used with other electric appliances, set the corresponding number of outlets.
- **The wiring should be appropriate for the rated power consumption.**
- **Set the outlet within the reach of the cord and high enough from the floor so that water does not reach it. The length of the power cord is 1000 mm.**
Do not insert the power plug into the outlet until the installment is complete. There is danger of malfunction.

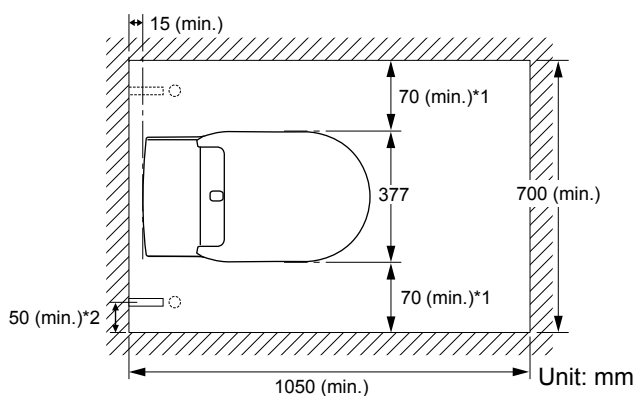
Water Supply

- **Only use potable water as the water supply.**
Using a different water supply (industrial water, well water, etc.) may cause the durability of the electrical and mechanical components to deteriorate, resulting in an accident or malfunction.
- **The water pressure must be more than 0.1MPa (when flows) or more than 0.75MPa (hydrostatic pressure).**
If the water pressure is lower than the above, please consult your dealer.
- **If the water pressure is higher than 0.75MPa, decompress the pressure by using a decompression valve.**

Minimum Installation Clearance

For the required minimum installation clearance, refer to the figure below.

- *1 A space of 70 mm or more on each side of the product is recommended.
If it is less than 70 mm, it may hinder the operation.
- *2 Place the water shutoff valve to 50 mm from the wall.



Firmly fix the water supply pipe

An impact applied to the hose due to high water pressure may cause vibrations.

Fix the water supply pipe firmly so that it does not loosen. There is a danger vibration or flooding.

Technical Data

Rated voltage

AC 220V-240V 50/60Hz

Rated power consumption

850 W (environment 20°C, water 15°C)

Max rated power consumption

1300 W (environment 20°C, water 15°C)

Length of the power cord

1 m

Length of the water supply hose

670 mm

Waterproof grade

IPX4

Water pressure range

0.1MPa{1.0 bar (1.0 keg/cm²)} [when flows] ~
0.75MPa{7.5 bar (7.5 kegs/cm²)} [hydrostatic pressure]

Water connection cross section

R1/2

Operating temperature range

0°C - 40°C

Units

V = volt, Hz = hertz, W = watt, m = meter,
MPa =mega pascal, in = inch, °C = degrees Celsius

Flushing water volume

P trap: full 4.5 L, light 3.0 L

A Supplied Items

- a Shower Toilet and Water Supply Hose
- b Water Shutoff Valve and Clip
- c Remote Control
- d Screws, Anchors, and AA Batteries (For Remote Control)
- e Anti-theft Nut, Screw, and Washer (For Remote Control)
- f Water Drain Socket
- g Securing Member
- h Screw, Washer, Anchor, Screw with Cap
- i Paper Guide
- j Installation Support Base
- k Manual Set
- l Spray Hood
- m Banderole
- n Power Socket and Power Cord
- o Wall Protection Cover

B Necessary Tools

- a Spanner (19 mm)
- b Crosshead Screwdriver (No. 2)
- c Flat-blade Screwdriver (5 mm)
- d Crosshead Precision Screwdriver (No. 0)
- e Saw
- f Level
- g File
- h Tape
- i Ruler
- j Pen
- k Hammer
- l Utility Knife
- m Adhesive
- n Colored Tape
- o Caulking Material
- p Monkey Wrench (For Water Shutoff Valve, etc.)
- q Flat-blade Precision Screwdriver (2.5 mm)
(For Remote Control)

C-1 Attaching the Water Shutoff Valve

- 1 Wrap tape around the screw of water shutoff valve. Adjust the direction of the joint outlet of the water supply hose and attach the water shutoff valve. Rotate the open/close lever and confirm that the water shutoff valve is closed.

▲ For a wall supply

Tilt the joint outlet of the water supply hose at a 90° angle to the floor.

■ For a floor supply

Tilt the joint outlet of the water supply hose at a 60° angle to the wall.

GB

C-2 Installing the Drain Socket

- 1 Attach the gasket to the drain socket.
- 2 Secure the drain socket.
*For tile or concrete floors, drill a lower hole and use an anchor.

C-3 Decide the installation position of Securing Member

- 1 Cut off the paper guide along the central dotted line.
- 2 Place the paper guide in line with the base of the water drain socket and secure it with colored tape. Mark screw position of securing member.
- 3 Place the securing member temporarily.
- 4 Cut off the paper guide along the right and left dotted line and secure the securing member.
*For tile or concrete floors, drill a lower hole and use an anchor.

Note

- If there is a gap or looseness, bond the drain socket with caulking.

C-4 Installing the Toilet Bowl

- 1 Lift up the front edge of the toilet bowl and insert the supplied installation support base under the ceramic bowl. Set wall protection cover against the wall.
- 2 Move the toilet bowl with installation support base to just before the drain socket.
- 3 Attach colored tape vertically from the screw hole on the lower side of the toilet bowl.
- 4 Insert your hand in the space of the installation support base and lift up the toilet bowl.
Adjust the tape position on ceramic bowl to the ▲ mark position on the floor.
Set the drain socket on the drain outlet of the toilet.
Pull out the installation support base.
- 5 Lower the toilet bowl. Make sure that the position of the ▲ mark on the guide paper on the floor coincides with the position of the tape on the ceramic bowl.
- 6 Insert the screw into the toilet bowl side, secure the securing member and toilet bowl, and then attach the screw cap. Remove the wall protection cover.

C-5 Connecting the water supply hose

- 1 Remove the protective cap and insert the water supply hose into water shutoff valve.
- 2 Fasten with the clip. Rotate the clip and check if the water supply hose is properly secured with the clip.
Note
 - Secure the clip by folding it.
 - If the clip is not secured properly, remove and secure again. Insert the tool to open the clip and unlock it.
- 3 Fully open the lever of the water supply hose and rotate it 90° in reverse.
Note
 - To prevent anchoring, be sure to rotate the lever 90° in reverse.

C-6 Connecting to the Power Supply

- 1 Turn off the power at the power breaker.
- 2 Thread the power cord into the power socket parts and connect the wires.
Note
 - Make sure to attach the wires into the corresponding inlets.
- 3 Fasten the parts of the power sockets together or insert power plug into the outlet.
- 4 Connect the power cord.
- 5 Turn on the power at the power breaker.

C-7 Installing the Remote Control

- 1 Remove the remote control from the holder and insert the batteries.
Note
 - Vertical lines may appear on the screen when the batteries are removed. This is not a malfunction. These vertical lines will disappear when batteries are inserted into the remote control.
- 2 Determine the installation position of the remote control.
Note
 - Leave a space above the remote control's mounting position.
- 3 Press the (⚙️) button and register to the toilet unit.
- 4 Mount the remote control holder onto the wall.
 - Ⓐ For plasterboard or plywood that is thinner than 5 mm
 - Ⓑ For concrete
- 5 Insert the anti-theft nut into the groove on the remote control.
- 6 Attach the remote control to the holder.
- 7 Secure the remote control to the holder with the anti-theft washer and screw.

D-1 Check for Water Leakage

- 1 Press the (△) button and check for water leakage.

D-2 Test operation

- 1 Cover the seat sensor with a piece of paper or rag.
Place the spray hood under the toilet seat and lower the seat.
- 2 Confirm that water sprays for rear and front washing.
- 3 Lower the seat and remove the spray hood.
Lift the seat and confirm that warm air blows.

D-3 Cleaning up

- 1 Remove the tape on the toilet bowl side and on the floor, and the paper guide. Attach the banderole to the seat lid.





本手册由两部分组成：第一部分是安装座便器时的安全注意事项及操作步骤说明，第二部分是图示安装方式。请参阅本手册每个部分。

安全注意事项

为了本产品的安全安装及使用，安装前请务必通读这些注意事项。


- 危险** 如果未避免，即将发生的危险情况可能会造成死亡或严重人身伤害。
- 警告** 如果未避免，潜在的危险情况可能会造成死亡或严重人身伤害。
- 注意** 如果未避免，潜在的危险情况可能会造成轻度或中度人身伤害，或者造成产品或其它财产损失。


危险


-  电源插头或插座连接不当会导致触电危险。
-  所有电气安装作业必须由专业电工进行操作。有短路和/或触电的危险。


警告


-  请遵守本手册中叙述的各项说明，并正确安装本产品。否则可能会导致触电、火灾、受伤、漏水和/或泛水。
-  切勿允许任何非授权技术服务人员进行拆解、维修或改装本产品。有触电或火灾的危险，且会导致产品故障及人身伤害。
-  切勿用湿手连接或断开电源插头或插座或电源线。有触电危险。
-  连接或断开电源插头或插座时，请抓住插头或插座。如果拉住电线连接或断开连接插头或插座，由于会损坏插头或插座或电线，因此有火灾或触电的危险。
-  切勿将水或清洁剂泼到座便器座椅单元、遥控器或电源插头或插座内部或上面。否则可能会导致触电或火灾。


-  本产品使用**AC 220V-240V**，切勿使用任何其它电源。另外，切勿采用任何其它方式将插头或插座连接到配置不当的插座。使用时超过额定电压可能会导致触电或火灾。


-  必须使用**VVF**电缆线（实心铜线，每股直径**0.75 mm**）作为电源线。如果使用非上述指定电源线（例如绞合线、安装了端子的绞合线等），可能会因连接不良导致过热，并会造成产品和电线腐蚀、燃烧和起火。


-  务必将电源线的导线顶端牢固插入电源插座的入口。否则可能会造成火灾。


-  完整连接电源插头或插座。由于电线会损坏，因此有火灾或触电的危险。

-  切勿损坏、弯曲、修改、过度扭曲、捆绑电源线、将其夹在中间或者将重物压在上面。由于电线会损坏，因此有火灾或触电的危险。


-  切勿将本产品安装在潮湿的地方，例如沐浴室或蒸汽浴室内部。有触电或火灾的危险。


-  切勿将本产品与饮用水以外的水源连接。否则可能会因座椅单元内部的电子部件受到腐蚀而造成触电、火灾和皮肤炎症。

-  切勿拆解或改装本产品。否则可能会导致触电或火灾。

-  切勿使用松动的插座。否则可能会导致触电或火灾。

注意

-  在电源的初级端安装一个高灵敏度、高速接地故障断路器（额定电流为**15 mA**或以下）。有触电危险。

-  座便器的腔体由陶瓷制成，而陶瓷属于易碎物品。对座便器的腔体进行操作时，请注意以下事项：
 - 安装以前，请确保座便器的腔体情况良好且没有损坏。
 - 安装以后，请检查座便器的腔体是否有任何损坏。
 否则可能会导致人身伤害、漏水和/或泛水。



连接产品以前，请将管中的异物或锈清洗干净。

否则可能会造成产品内部的零部件损坏，从而可能会导致漏水和/或泛水。



当使用过滤器时，请注意以下事项：

- 拆下过滤器时，请关闭止水阀。
 - 安装过滤器时，请完全紧固，不要留有缝隙。
 - 安装O形环时，请确认上面是否有异物。
- 如果O形环上面有异物，可能会因漏水而造成泛水。



安装后，调节止水阀并检查是否漏水。

否则可能会造成漏水和/或泛水。



如果预计会出现冰冻，请将水从产品中排出，再提供给客户。

否则可能会因冰冻造成的损坏而导致火灾、漏水和/或泛水。



任何建筑施工或装修后，或断水后恢复供水时，请排出管道内的空气。

如果水源中含有空气，则可能导致产品或管道损坏或故障。有因为泛水而导致人身伤害的危险，或可能损坏建筑或设备。

电源

请根据以下规格安装电线和插座。

配电作业应交由电气承包商执行。

- 使用具有额定功耗的**AC 220V-240V**电源。
如果产品与其它电气设备一起使用，请安装相应数量的插座。
- 布线应适合额定功耗。
- 插座应安装在电线可及的范围内，且距离地面有足够的高度，使插座不会接触到水。电源线长度为**1000 mm**。
安装完成前切勿将电源插头插入插座。会产生故障。

CN

水源

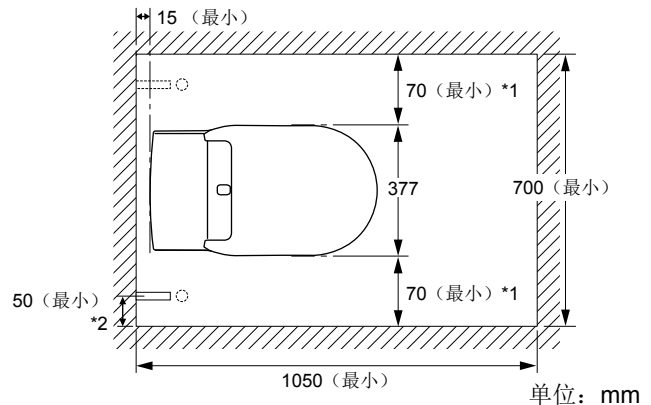
- 只能使用饮用水作为水源。
使用其它水源（工业用水、井水等）可能会造成电气和机械组件的耐用性下降，从而导致事故或故障。
- 水压必须大于**0.1Mpa**（流动时）或大于**0.75Mpa**（流体静压）。
如果水压小于上述值，请咨询经销商。
- 如果水压高于**0.75MPa**，请使用减压阀降低水压。

最小安装间隙

有关所需最小安装间距，请参阅下图。

*1 建议在产品各侧保留**70 mm**或以上的空间。如果小于**70 mm**，则可能妨碍操作。

*2 请将止水阀置于距离墙壁**50 mm**位置。



牢牢固定供水管

由于高水压可能导致振动，因此会影响到软管。
请牢牢固定供水管，使其不会松动。
有振动或泛水危险。

技术数据

额定电压

AC 220V-240V 50/60Hz

额定功耗

850 W (环境温度20°C, 水温15°C)

最大额定功耗

1300 W (环境温度20°C, 水温15°C)

电源线长度

1 m

供水软管长度

670 mm

防水等级

IPX4

水压范围

0.1MPa{1.0巴 (1.0 kg/cm²)}[流动时] ~
0.75MPa{7.5巴 (7.5 kegs/cm²)}[流体静压]

水管连接剖面

R1/2

工作温度范围

0°C - 40°C

单位

V = 伏特, Hz = 赫兹, W = 瓦特, m = 米,
MPa = 兆帕, in = 英寸, °C = 摄氏度

冲水量

横排式: 足量4.5 L, 少量3.0 L

A 提供的物品

- a 冲淋式坐便器和供水软管
- b 止水阀和夹子
- c 遥控器
- d 螺钉、锚钉和AA电池 (遥控器使用)
- e 防盗螺母、螺钉和垫圈 (遥控器使用)
- f 排水管套
- g 固定套件
- h 螺钉、垫圈、锚钉、带帽螺钉
- i 纸模板
- j 安装支撑底座
- k 整套手册
- l 喷水罩
- m 飘带
- n 电源插座、电源线
- o 墙壁保护罩

B 需要的工具

- a 扳手 (19 mm)
- b 十字螺丝刀 (No. 2)
- c 平头螺丝刀 (5 mm)
- d 十字精密螺丝刀 (No. 0)
- e 锯子
- f 水平仪
- g 锉刀
- h 胶带
- i 尺子
- j 笔
- k 锤子
- l 美工刀
- m 黏合剂
- n 彩色胶带
- o 嵌缝材料
- p 活动扳手 (用于止水阀)
- q 平头精密螺丝刀 (2.5 mm) (用于遥控器)

C-1 安装止水阀

- 1 用胶带缠绕止水阀的螺口。调节供水软管的接头方向，并安装止水阀。旋转开/关手柄，确认止水阀已关闭。

▲ 墙壁供水

倾斜供水软管的接头，使其与地面成90°角。

■ 地面供水

倾斜供水软管的接头，使其与墙壁成60°角。

C-2 安装排水管套

- 1 将垫圈安装在排水管套上。
- 2 固定排水管套。
*对于瓷砖或混凝土地面，请钻一个较低的孔，并使用锚钉。

C-3 确定固定套件的安装位置

- 1 沿着中心虚线切开纸模板。
- 2 让纸模板与排水管套的底座处于同一直线上，然后使用彩色胶带进行固定。标记固定套件的螺钉位置。
- 3 临时放置固定套件。
- 4 沿着左右虚线切开纸模板，并固定固定套件。
*对于瓷砖或混凝土地面，请钻一个较低的孔，并使用锚钉。

说明

- 如果有间隙或松动，请用嵌缝材料填补排水管套。

C-4 安装座便器

- 1 抬起座便器腔体的前边缘，并将附送的安装支撑底座贴在陶瓷腔体的下方。将墙壁保护罩靠着墙壁。
- 2 将座便器腔体和安装支撑底座一起移动到排水管套的正前方。
- 3 从座便器下方的螺钉孔开始垂直粘贴彩色胶带。
- 4 将手插入安装支撑底座的空档内，将座便器抬起。
将陶瓷腔体上的胶带位置调整到地面上有▲标记的位置。
将排水管套放在座便器的排水出口上。
拉出安装支撑底座。
- 5 放下座便器腔体。确保地面上的纸模板上的▲标记位置与陶瓷腔体上的胶带位置一致。
- 6 将螺钉插入座便器腔体侧面，紧固固定套件和座便器腔体，然后盖上螺钉帽。拆下墙壁保护罩。

C-5 连接供水软管

- 1 取下防护盖，将供水软管插入闭水阀。
- 2 用夹子紧固。旋转夹子，检查供水软管是否通过夹子正确紧固。

说明

- 将夹子折叠即可固定。
- 如果夹子固定不当，请拆下夹子重新固定。插入工具打开夹子解开设定。

- 3 完全打开供水软管的手柄，然后反方向转动90°。

说明

- 为了防止完全啮合，必须反方向转动90°。

CN

C-6 连接电源

- 1 关闭电源断路器处的电源。
- 2 将电源线穿入电源插座各部件，并连接导线。
说明
 - 确保将导线连接到对应的入口。
- 3 将电源插座各部件固定到一起，或将电源插头插入插座。
- 4 连接电源线。
- 5 打开电源断路器处的电源。

C-7 安装遥控器

- 1 从托架中取出遥控器，然后插入电池。
说明
 - 取出电池后屏幕上可能会出现竖线。这并非故障。将电池插入遥控器后，这些竖线会消失。
- 2 确定遥控器的安装位置。
说明
 - 在遥控器的安装位置上方保留一定空间。
- 3 按(⚙)按钮并注册座便器。
- 4 将遥控器托架安装到墙壁上。
 - A 对于厚度小于5 mm的塑料板或胶合板
 - B 对于混凝土
- 5 将防盗螺母插入遥控器的凹槽。
- 6 将遥控器放入托架。
- 7 使用防盗垫圈和螺钉将遥控器固定到托架上。

D-1 检查漏水

- 1 按 (△) 按钮，并检查漏水。

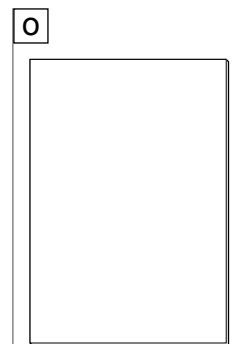
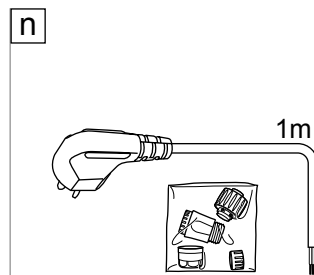
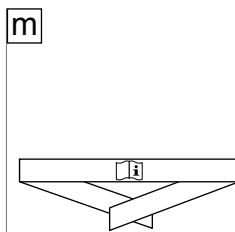
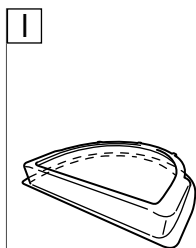
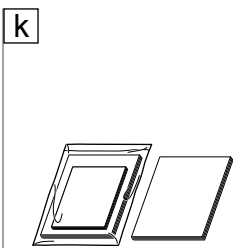
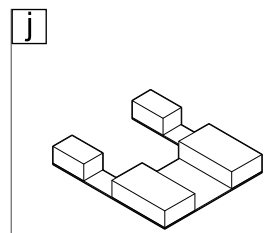
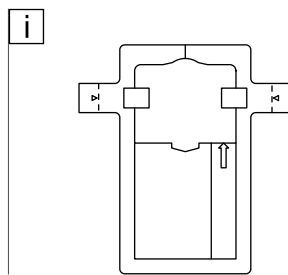
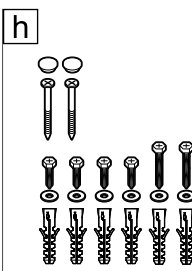
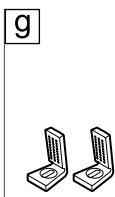
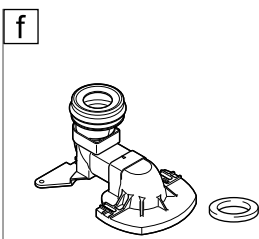
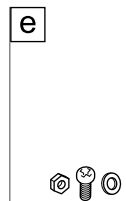
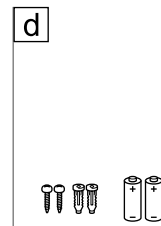
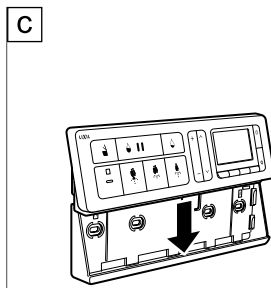
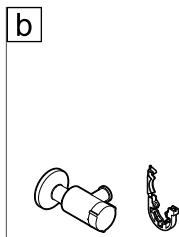
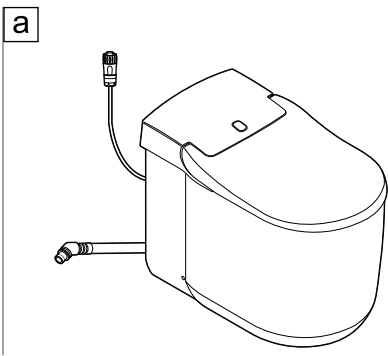
D-2 测试操作

- 1 用一块布或一张纸盖住座圈传感器。
然后将喷水罩放到座便器座圈下方，并放下座圈。
- 2 确认前后清洗都会喷水。
- 3 放下座圈并拆下喷水罩。
翻起座圈，确认暖风吹出。

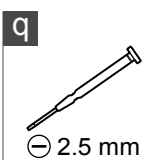
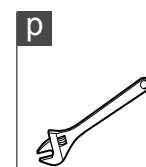
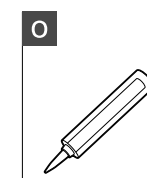
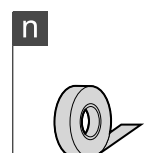
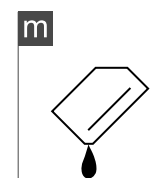
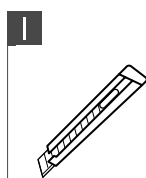
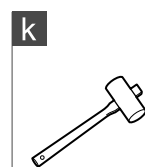
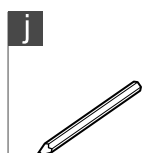
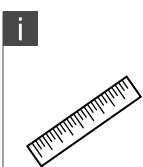
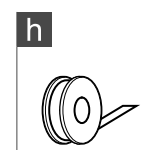
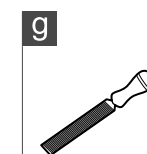
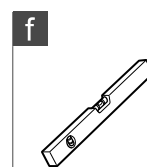
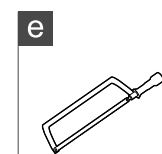
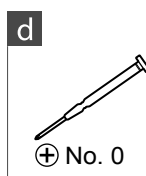
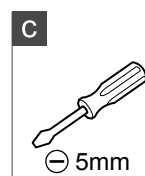
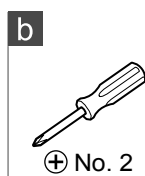
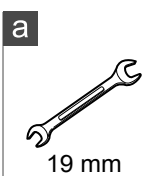
D-3 清理

- 1 拆除座便器和地面上的胶带以及纸模板。
将飘带系在座圈盖上。

A

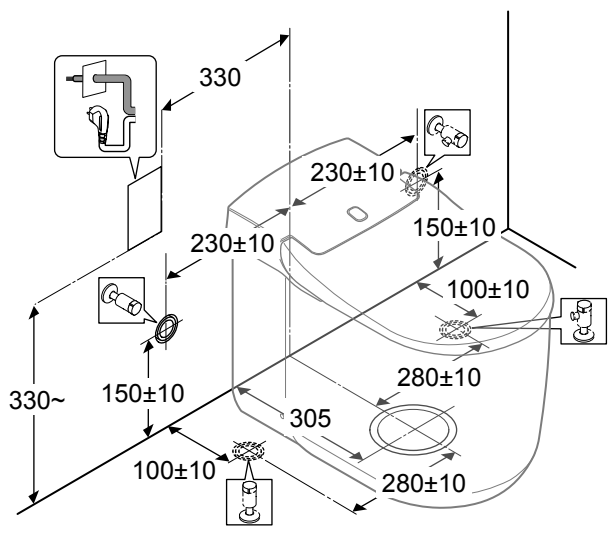


B



C-1





Installation diagram for a toilet bowl with a triangular symbol:

1. Tighten the bolt and nut.

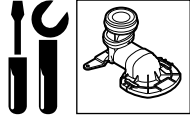
Diagram shows the bolt and nut being tightened to secure the bowl. A warning icon (!) indicates the bowl must be tilted at a 90° angle relative to the floor level (∇FL). Below the main diagram, two incorrect installation methods are shown with 'X' marks: one where the bowl is not tilted enough and another where the bowl is tilted too much.

Installation diagram for a toilet bowl with a square symbol:

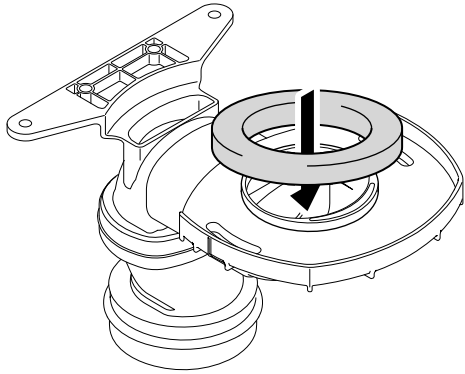
1. Tighten the bolt and nut.

Diagram shows the bolt and nut being tightened to secure the bowl. A warning icon (!) indicates the bowl must be tilted at a 60° angle relative to the floor level (∇WL). Below the main diagram, two incorrect installation methods are shown with 'X' marks: one where the bowl is not tilted enough and another where the bowl is tilted too much.

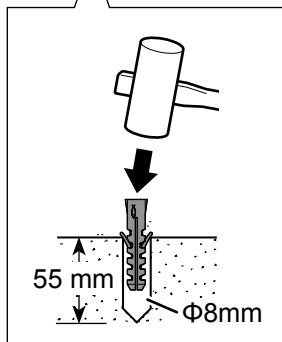
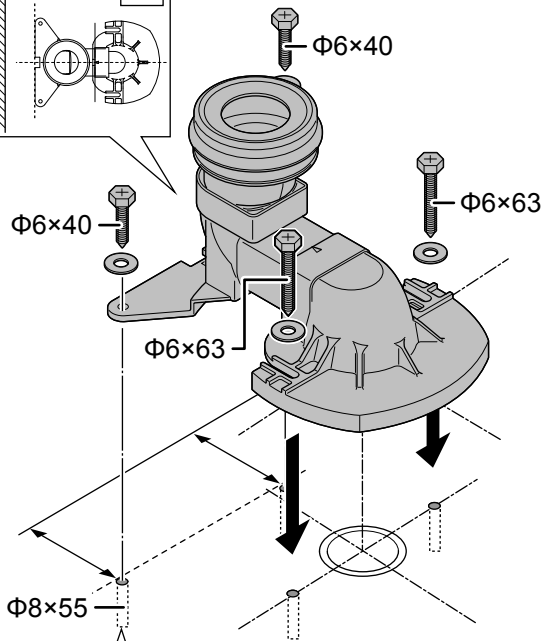
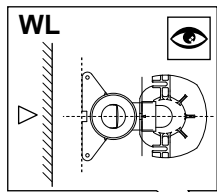
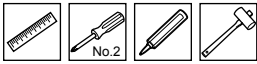
C-2



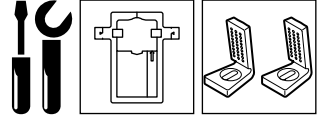
1



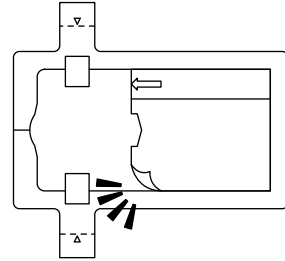
2



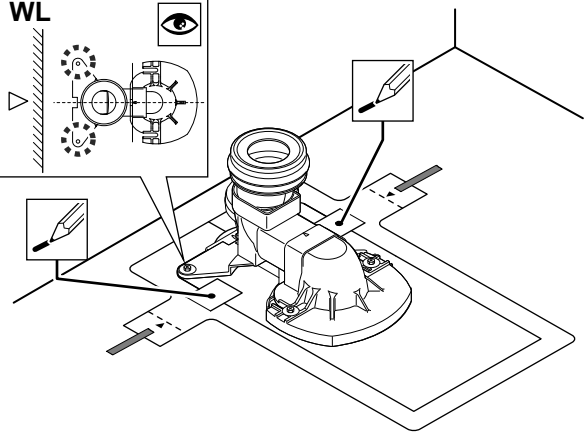
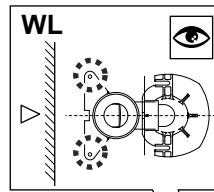
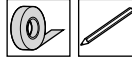
C-3



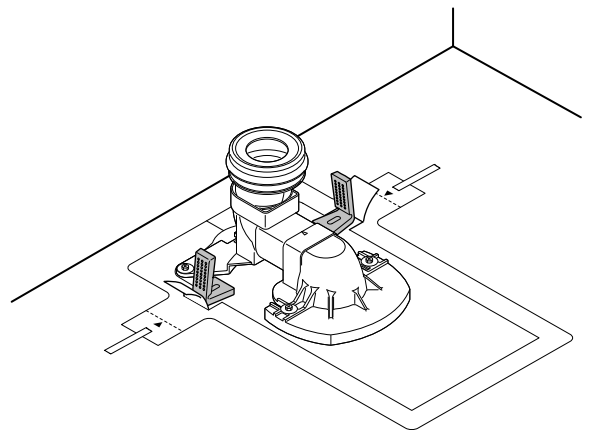
1



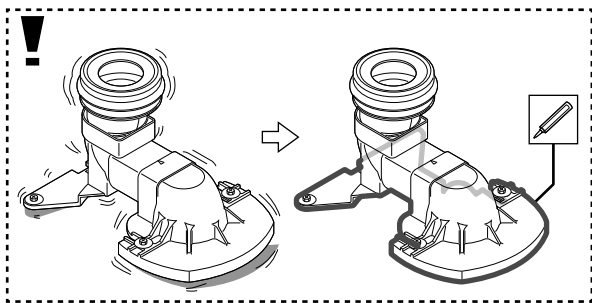
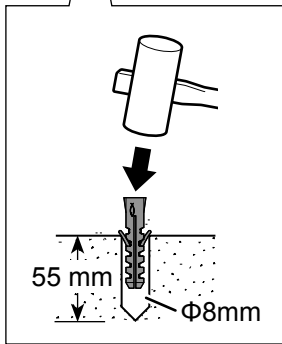
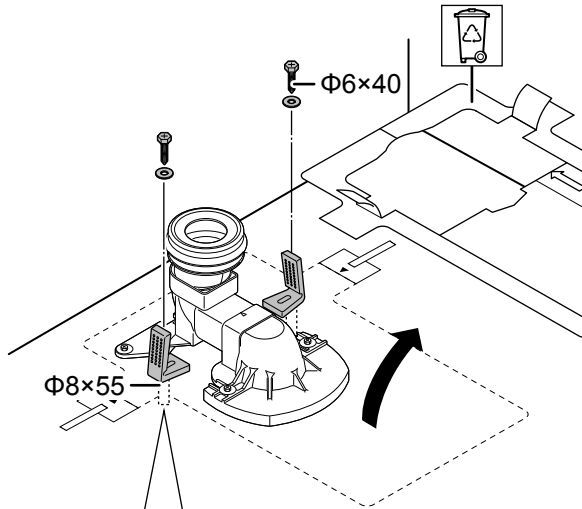
2



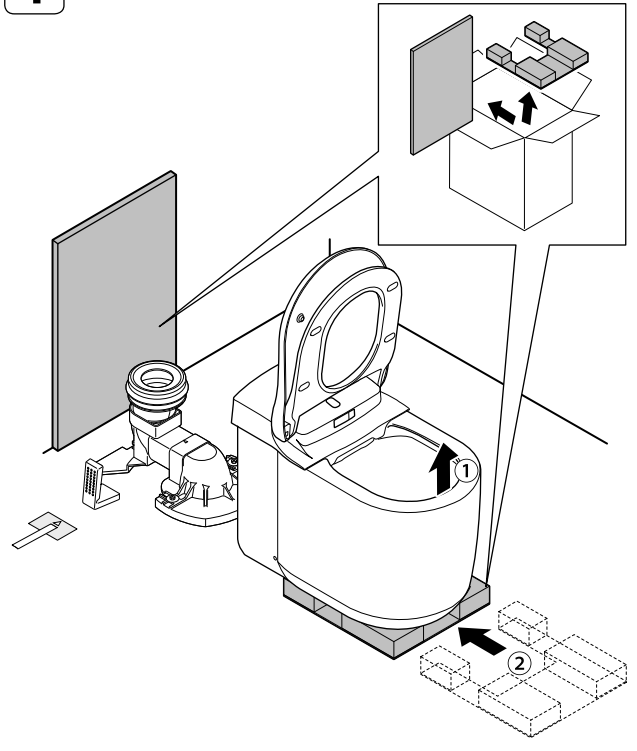
3



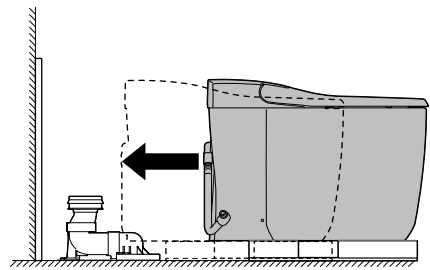
4   No.2




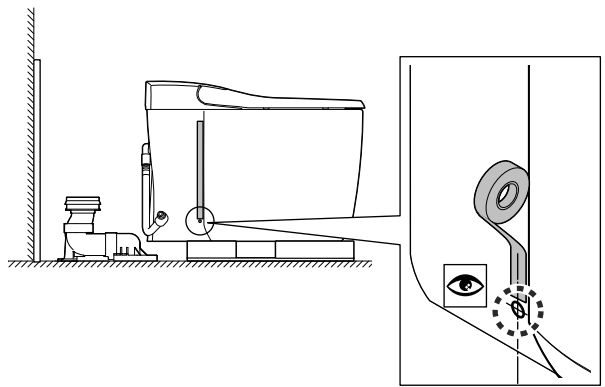
1



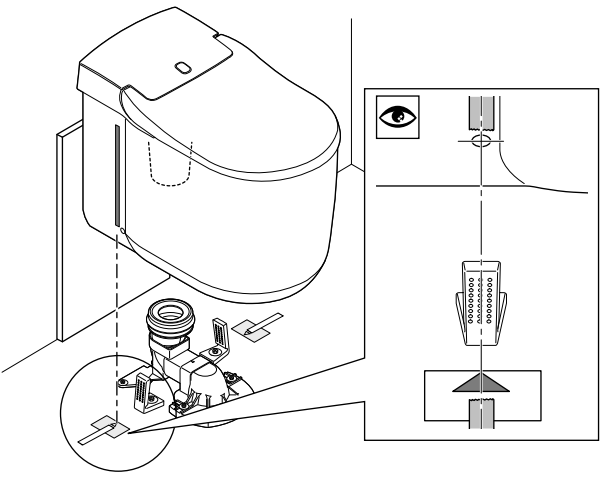
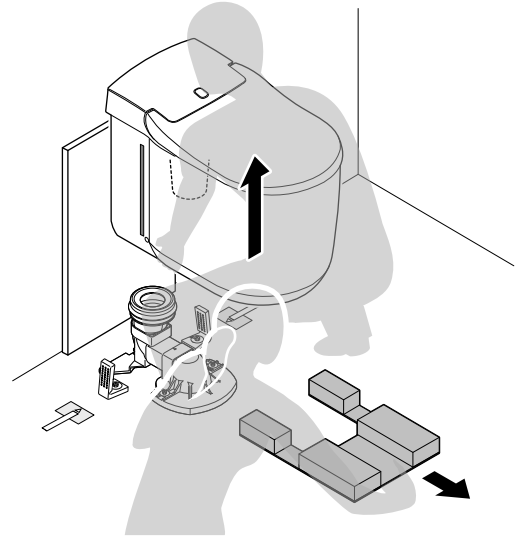
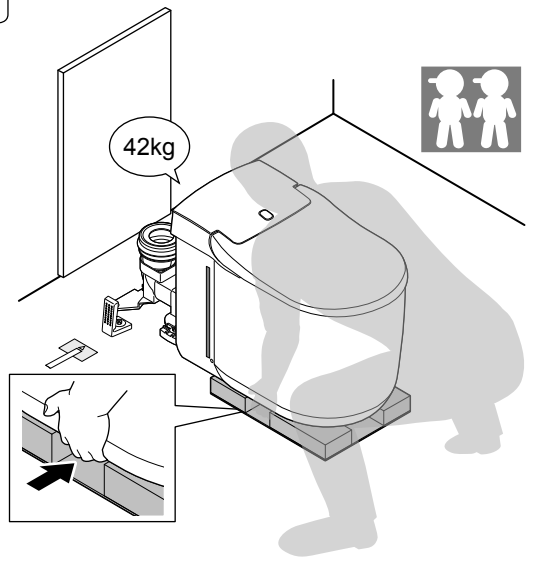
2



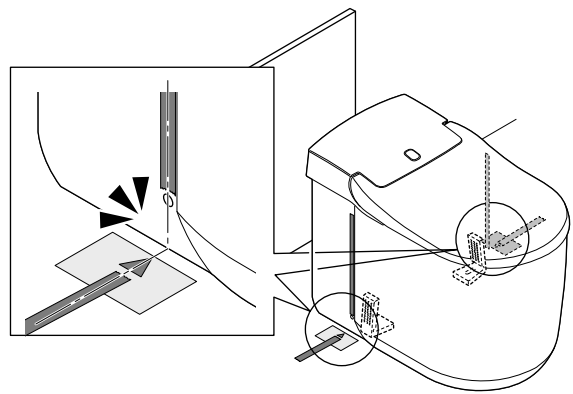
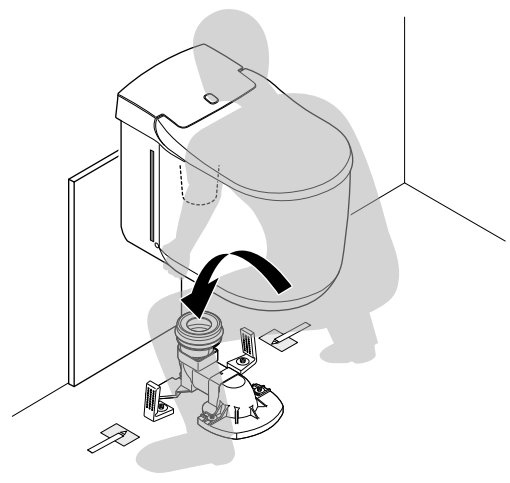
3 



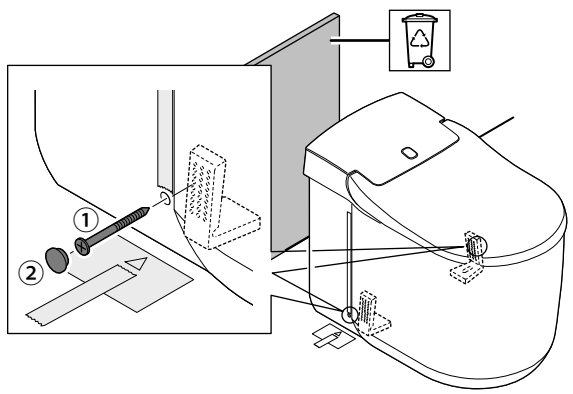
4



5



6

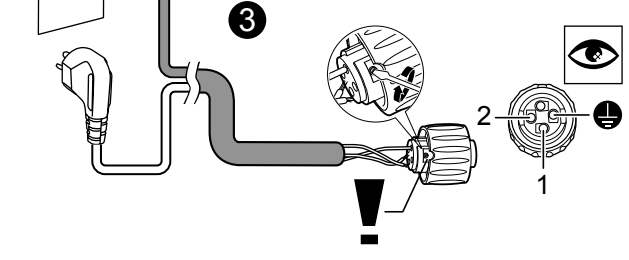
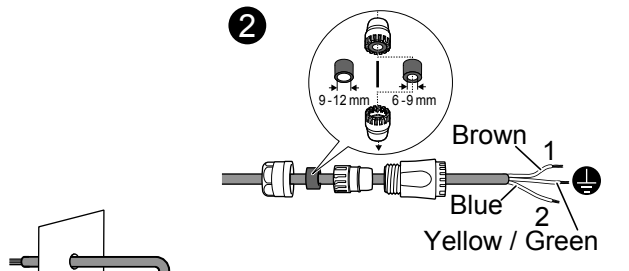
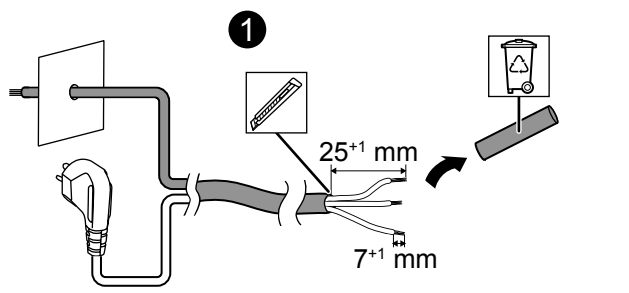
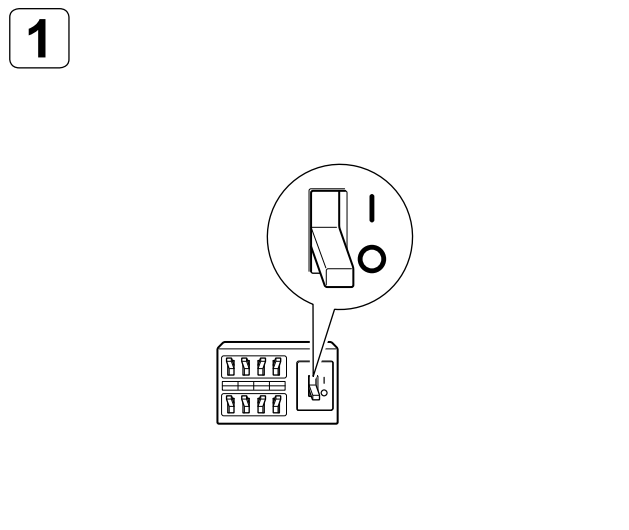
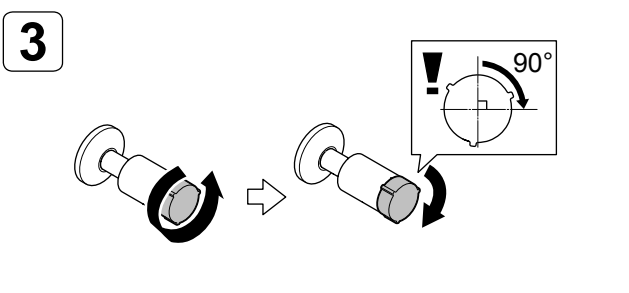
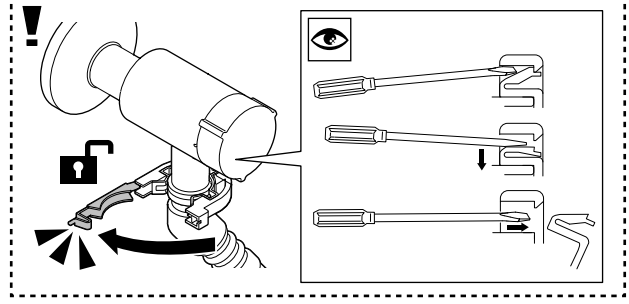
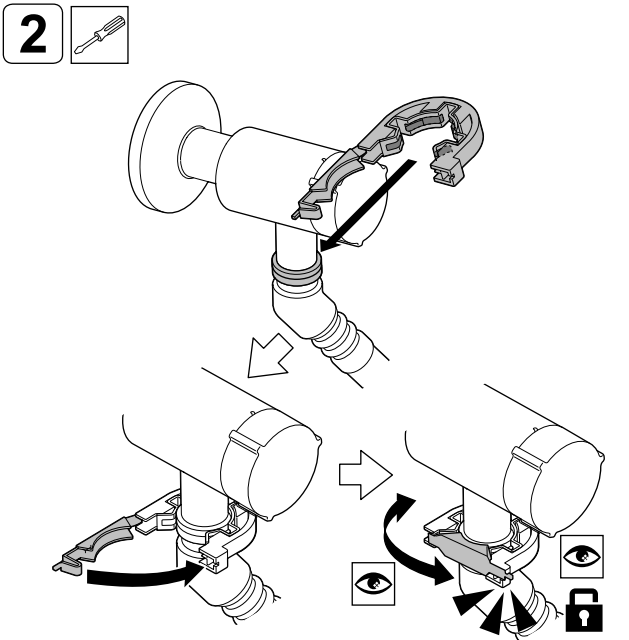
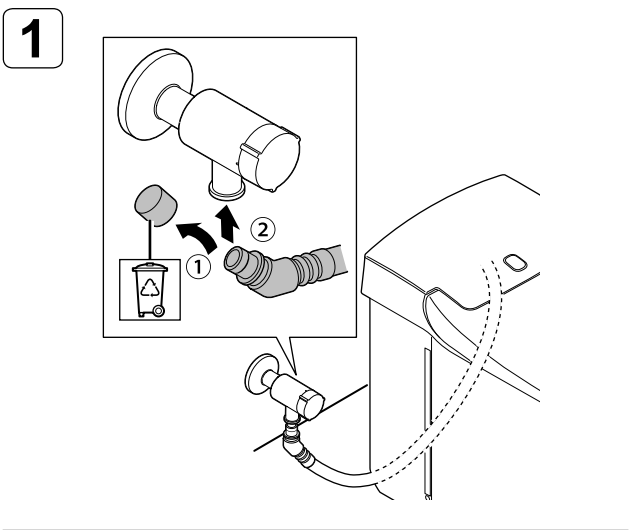


C-5




C-6

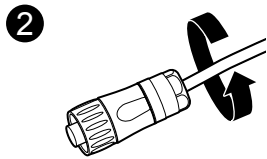
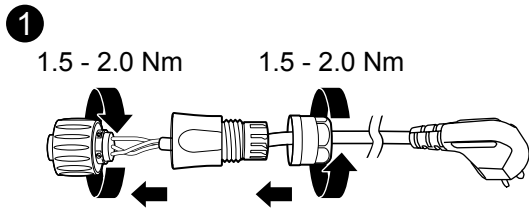




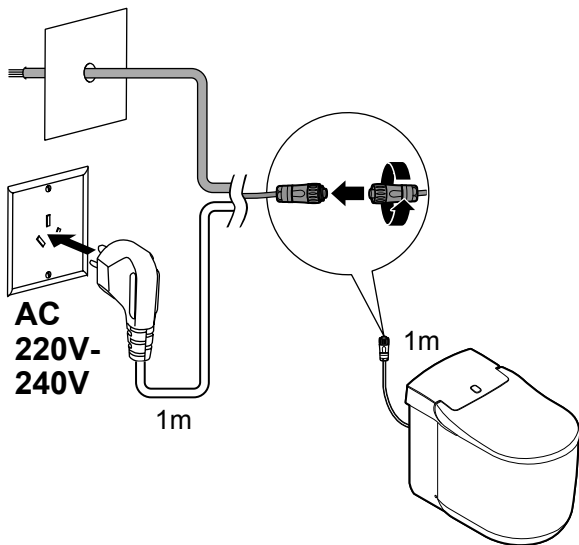
C-7



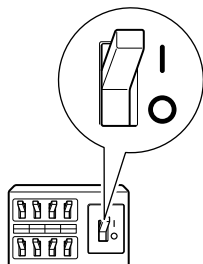

3 




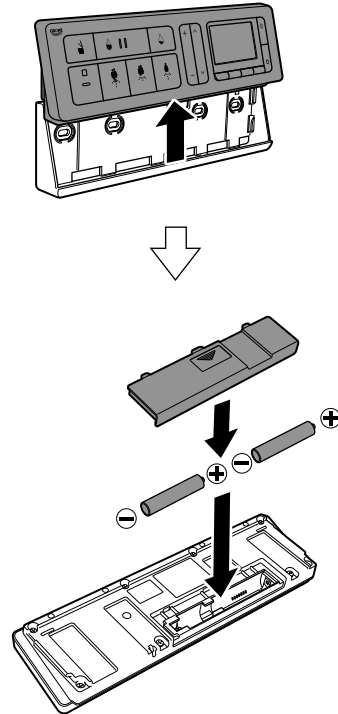
4



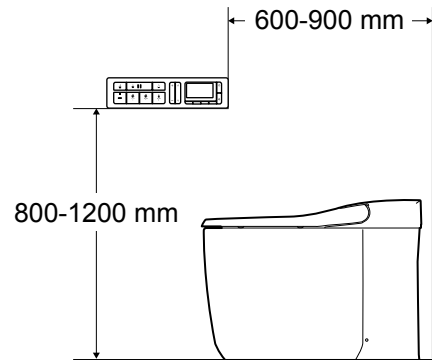
5



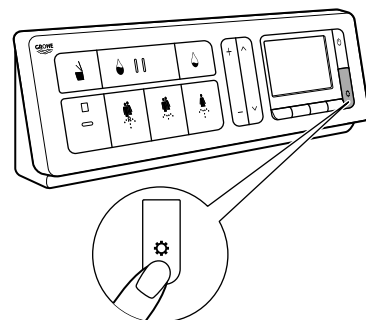
1   

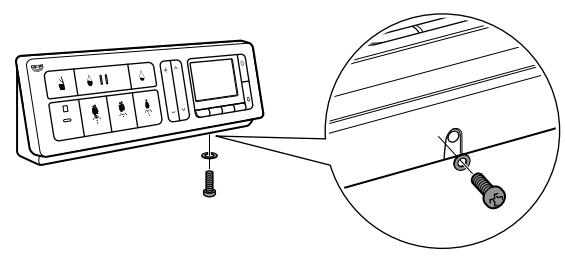
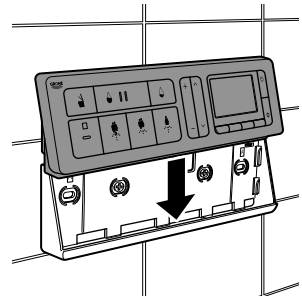
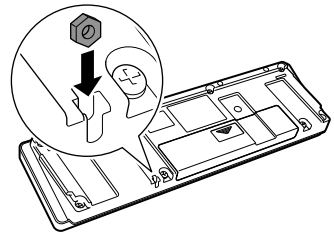
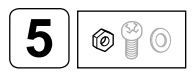
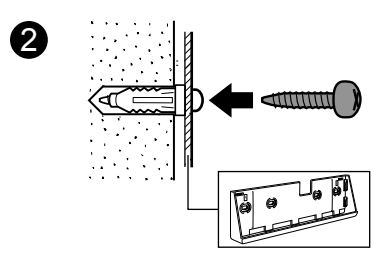
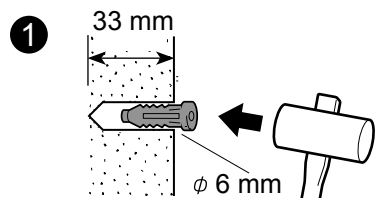
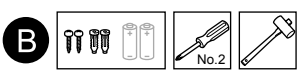
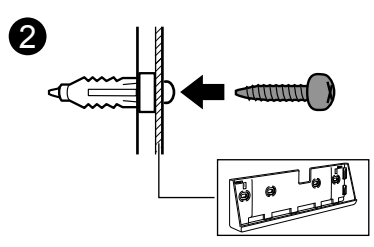
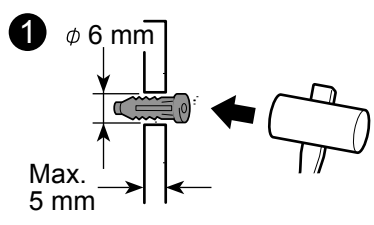
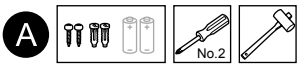
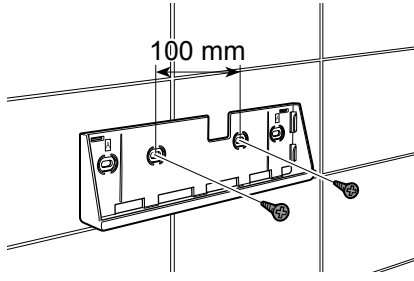
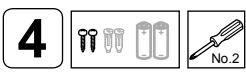


2



3

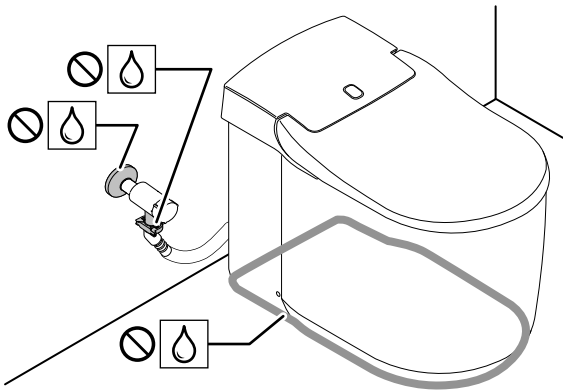
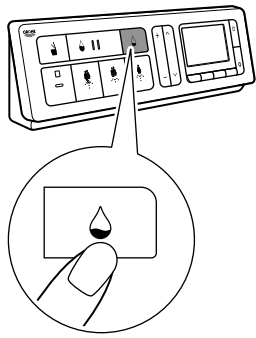




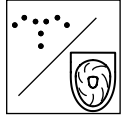
D-1



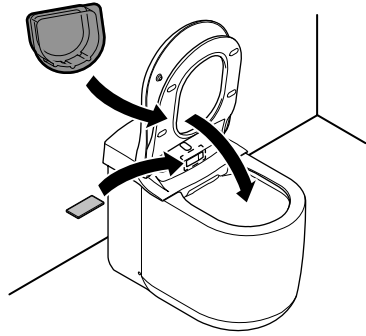
1



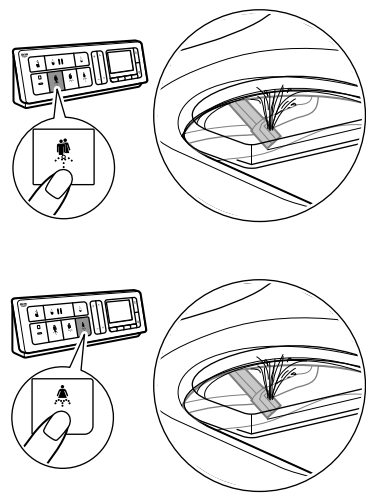
D-2

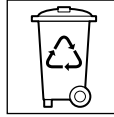


1

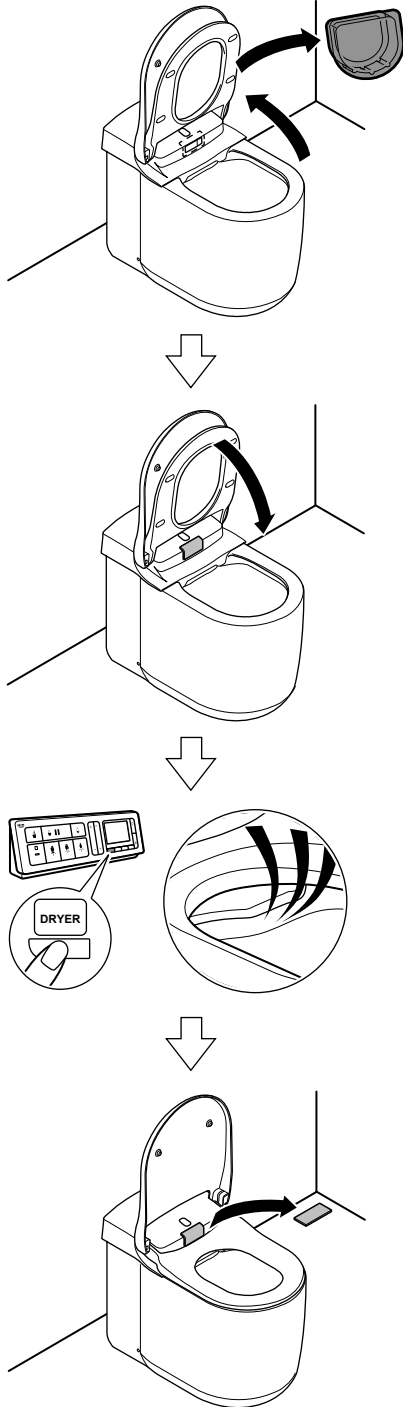


2

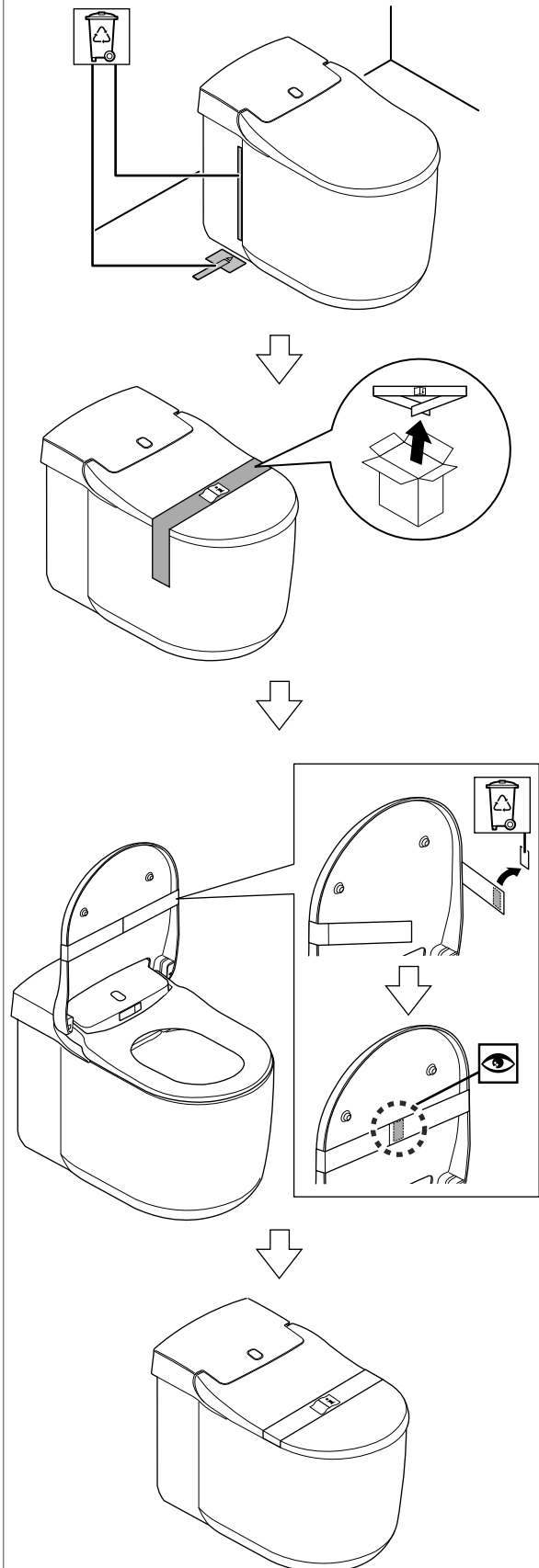




3



1



Pure Freude an Wasser

GROHE
WAVES

- D**
+49 571 3989 333
impresum@grohe.de
- A**
+43 1 68060
info-at@grohe.com
- AUS**
Argent Sydney
+(02) 8394 5800
Argent Melbourne
+(03) 9682 1231
- B**
+32 16 230660
info.be@grohe.com
- BG**
+359 2 9719959
grohe-bulgaria@grohe.com
- CAU**
+99 412 497 09 74
info-az@grohe.com
- CDN**
+1 888 6447643
info@grohe.ca
- CH**
+41 448777300
info@grohe.ch
- CN**
+86 21 63758878
- CY**
+357 22 465200
info@grome.com
- CZ**
+420 277 004 190
grohe-cz@grohe.com
- DK**
+45 44 656800
grohe@grohe.dk
- E**
+34 93 3368850
grohe@grohe.es
- EST**
+372 6616354
grohe@grohe.ee
- F**
+33 1 49972900
marketing-fr@grohe.com
- FIN**
+358 10 8201100
teknocalor@teknocalor.fi
- GB**
+44 871 200 3414
info-uk@grohe.com
- GR**
+30 210 2712908
nsapountzis@ath.forthnet.gr
- H**
+36 1 2388045
info-hu@grohe.com
- HK**
+852 2969 7067
info@grohe.hk
- I**
+39 2 959401
info-it@grohe.com
- IND**
+91 124 4933000
customercare.in@grohe.com
- IS**
+354 515 4000
jonst@byko.is
- J**
+81 3 32989730
info@grohe.co.jp
- KZ**
+7 727 311 07 39
info-cac@grohe.com
- LT**
+372 6616354
grohe@grohe.ee
- LV**
+372 6616354
grohe@grohe.ee
- MAL**
+1 800 80 6570
info-singapore@grohe.com
- N**
+47 22 072070
grohe@grohe.no
- NL**
+31 79 3680133
vragen-nl@grohe.com
- NZ**
+09/373 4324
- P**
+351 234 529620
commercial-pt@grohe.com
- PL**
+48 22 5432640
biuro@grohe.com.pl
- RI**
+62 21 2358 4751
info-singapore@grohe.com
- RO**
+40 21 2125050
info-ro@grohe.com
- ROK**
+82 2 559 0790
info-singapore@grohe.com
- RP**
+63 2 8041617
- RUS**
+7 495 9819510
info@grohe.ru
- S**
+46 771 141314
grohe@grohe.se
- SGP**
+65 6 7385585
info-singapore@grohe.com
- SK**
+420 277 004 190
grohe-cz@grohe.com
- T**
+66 2610 3685
info-singapore@grohe.com
- TR**
+90 216 441 23 70
GroheTurkey@grome.com
- UA**
+38 44 5375273
info-ua@grohe.com
- USA**
+1 800 4447643
us-customerservice@grohe.com
- VN**
+84 8 5413 6840
info-singapore@grohe.com
- AL** **BiH** **HR** **KS**
ME **MK** **SLO** **SRB**
+385 1 2911470
adria-hr@grohe.com
- Eastern Mediterranean,
Middle East - Africa
Area Sales Office:**
+357 22 465200
info@grome.com
- IR** **OM** **UAE** **YEM**
+971 4 3318070
grohedubai@grome.com
- Far East Area Sales Office:**
+65 6311 3600
info@grohe.com.sg