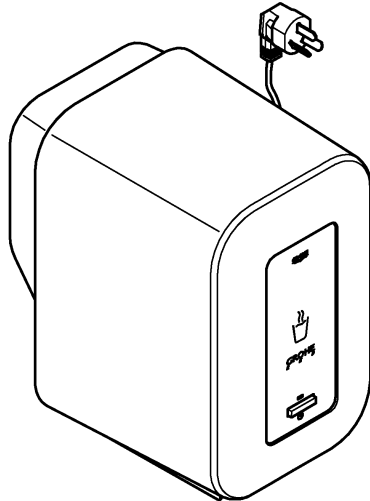


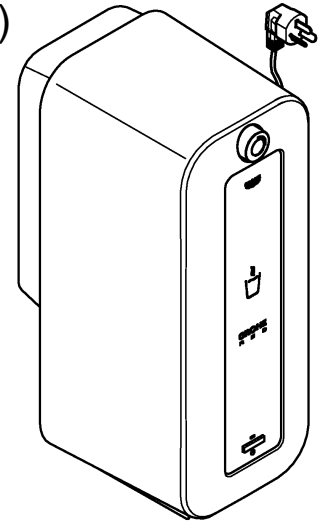


40 701

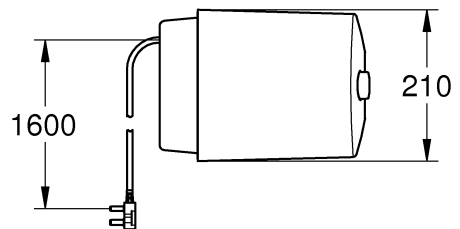
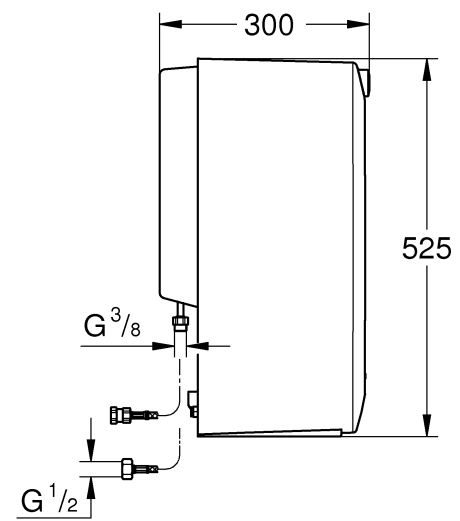
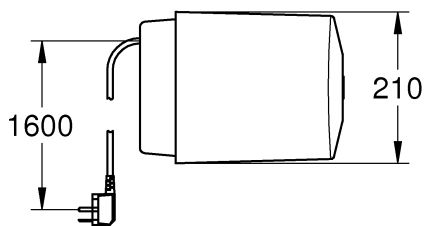
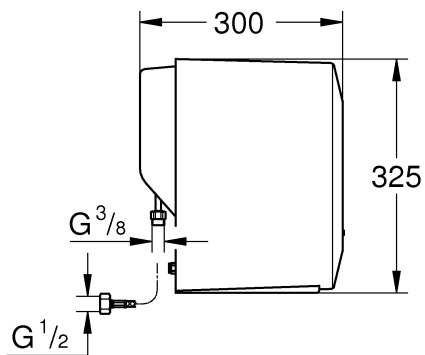


4L

40 700 (CN)
 40 702 (IND)

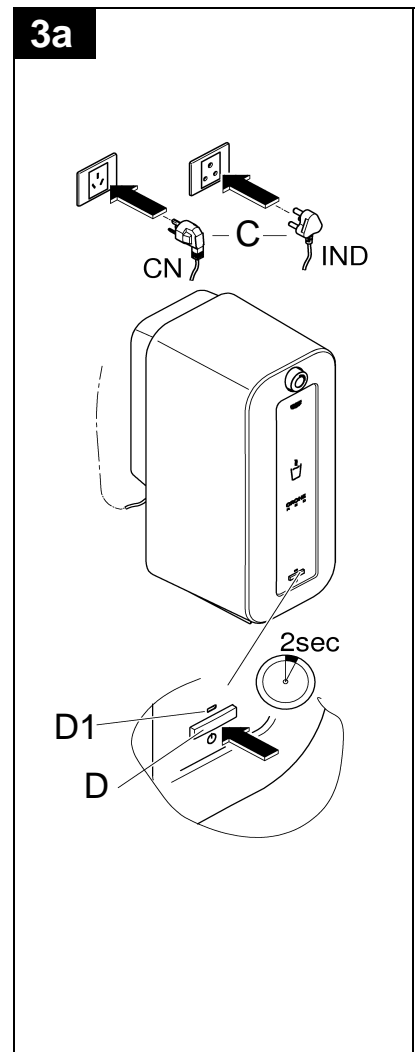
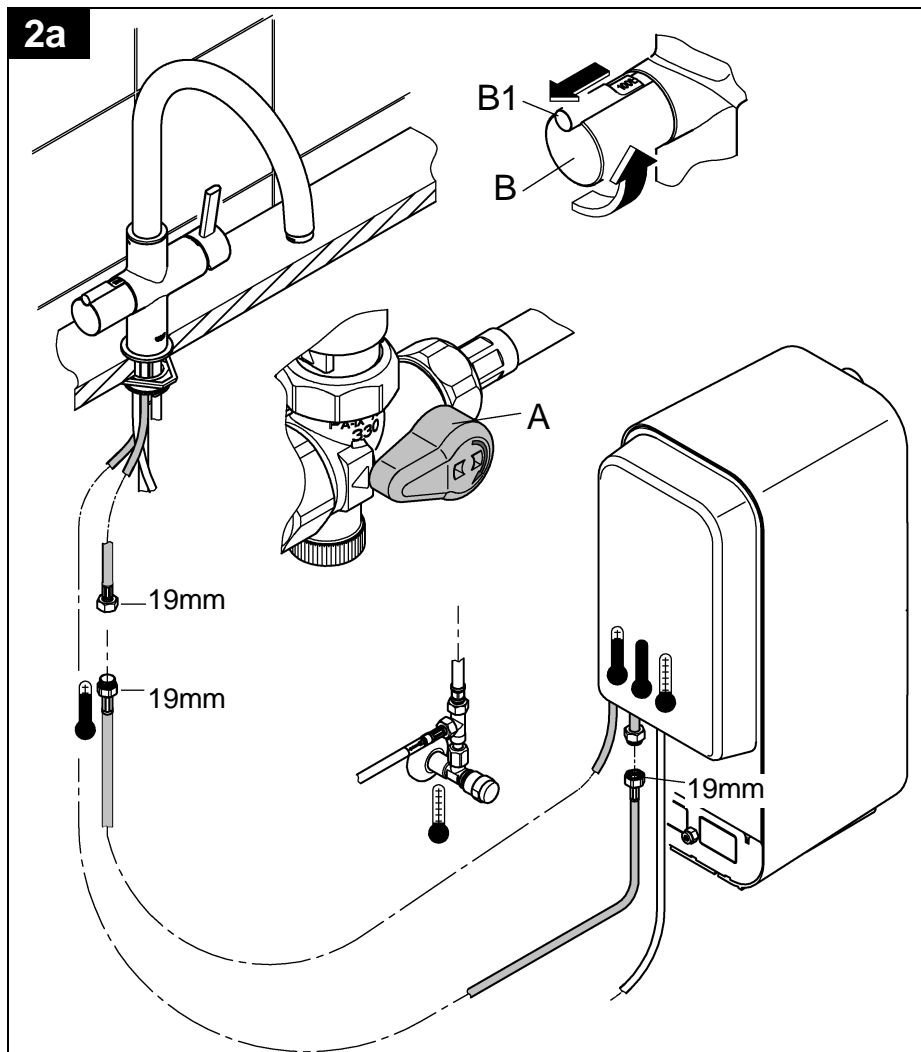
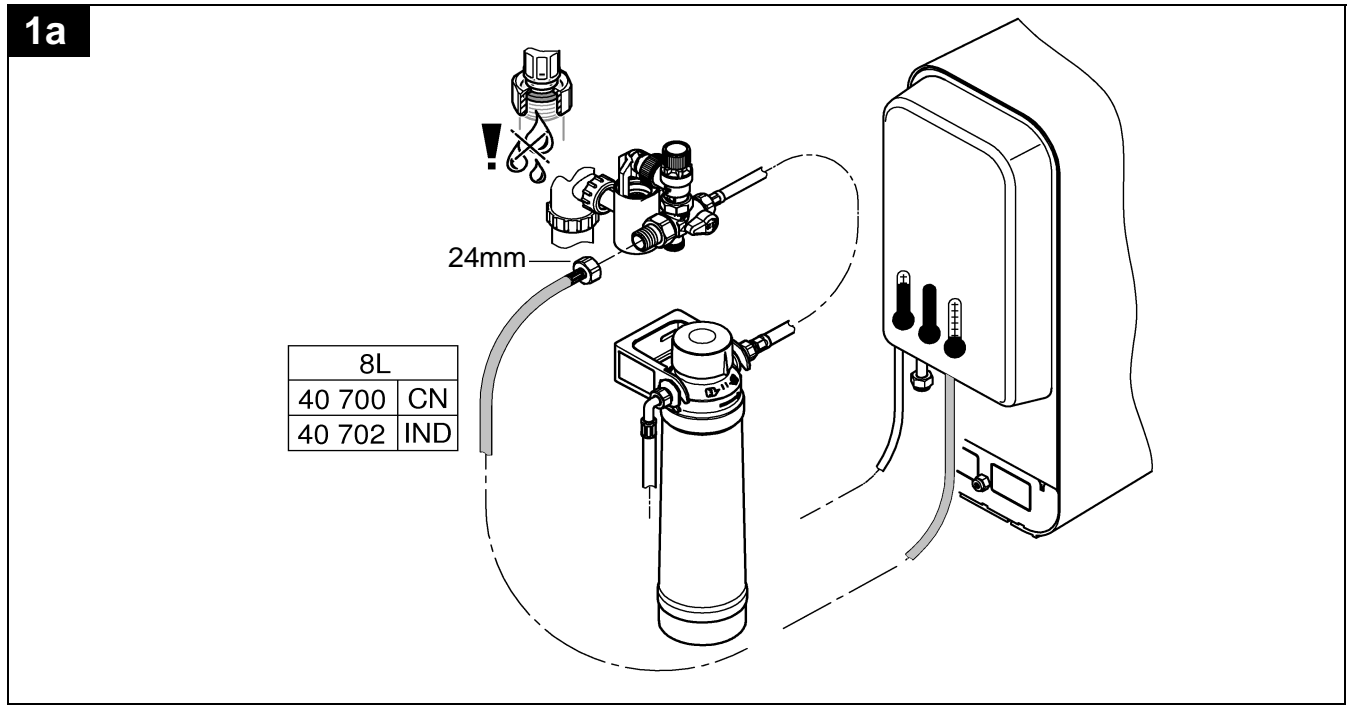


8L



CN1

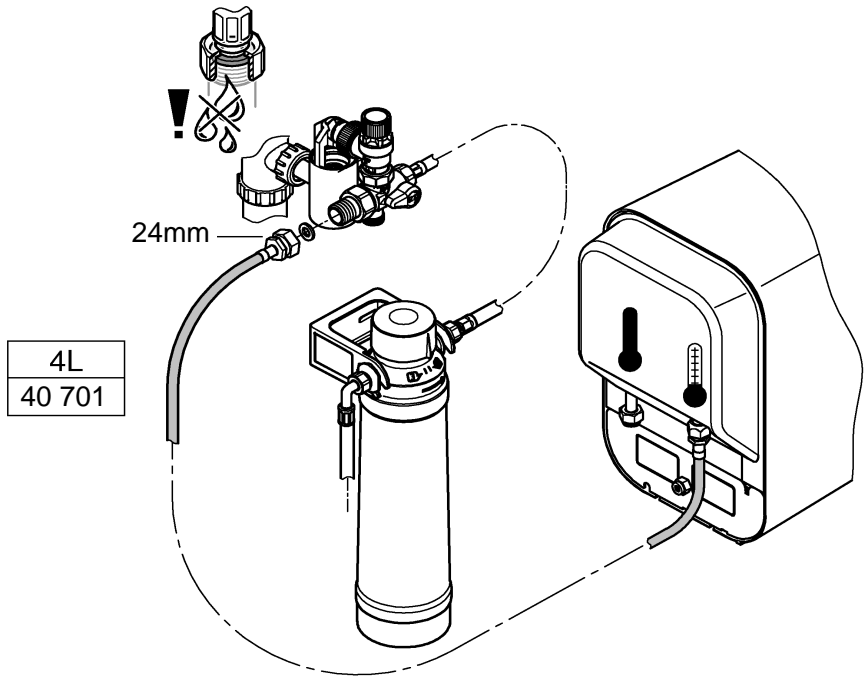
GB2



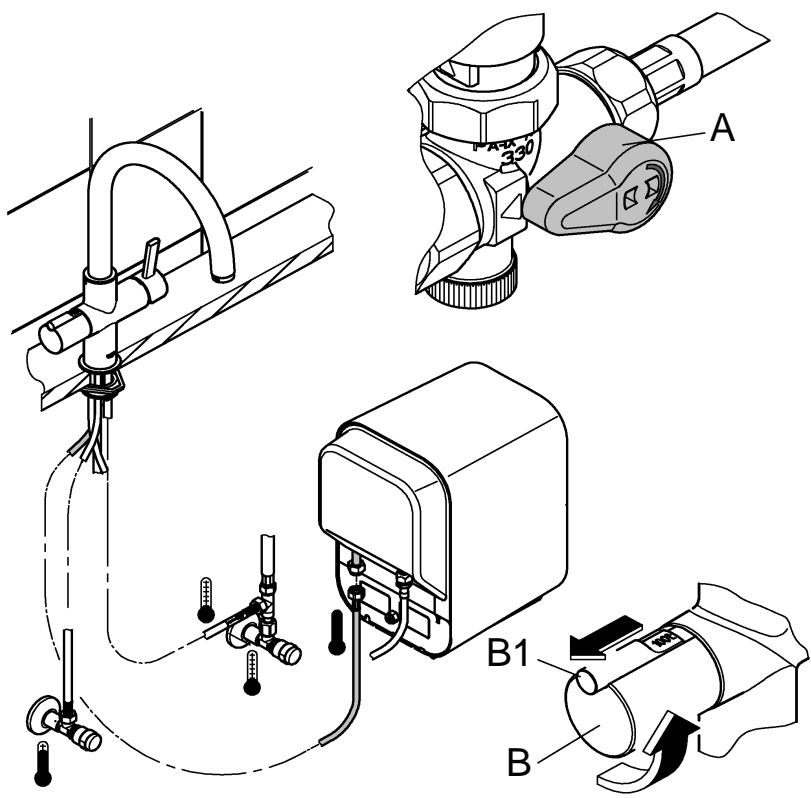
请向本产品的用户提供这些说明！

Please pass these instructions on to the end user of the fitting!

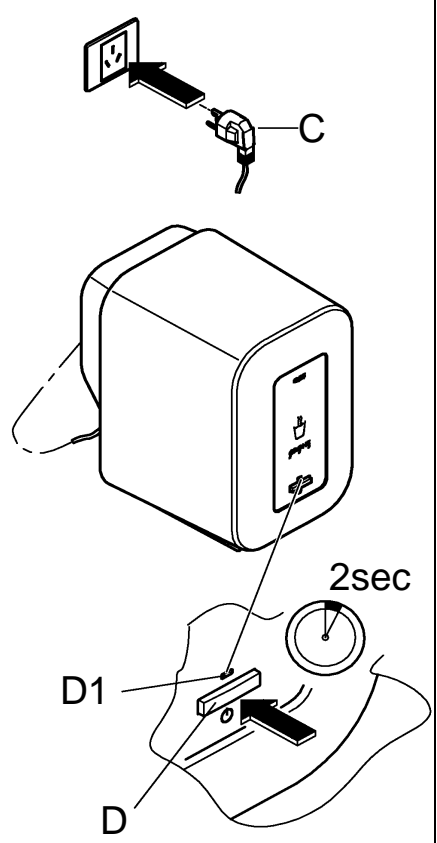
1b



2b



3b



CN

型式认证

带有过滤网系统的沸水蓄热热水器只能与原装的 GROHE 红色沸水龙头配套使用。

安全说明

GROHE 红色沸水蓄热热水器：



此设备不适于身体、感官或智力有残疾或者缺乏使用此类设备的经验或知识的人员使用（包括儿童）。

务必看管好儿童，不要让他们玩弄此设备。



电击危险。避免电源线破损。如果发现沸水蓄热热水器损坏，必须由制造商 / 其客户服务部门或具备同等资质的人员负责更换。

- 只能在无霜房间内安装。泄压装置的排放管必须连续向下的方向安装在无霜的环境中。
- 沸水蓄热热水器只适合在室内使用。
- 沸水蓄热热水器必须垂直放置。
- 切勿用水直接或间接喷洒沸水蓄热热水器和插头来进行清洁。
- 切勿打开沸水蓄热热水器。

锅炉不能打开。

如果需要排干沸水蓄热热水器，都必须卸下沸水蓄热热水器的安全装置。将沸水蓄热热水器倒置，让水流出。

不过，我们强烈建议不要排干沸水蓄热热水器。否则很有可能损坏沸水蓄热热水器。

技术规格

沸水蓄热热水器电气参数：

- 连接：带地线的墙壁插座，通过 16 A 保险丝保护
- 电源：220 V AC/50 Hz
- 耗电量：1,900 W
- 待机功耗（打开）：15 W
- 待机功耗（关闭）：1 W
- 防护类型：IPX4

泄压阀的安全安装要求

泄压

泄压阀型号：SGB330

适用范围：10 bar

借用集成的音量控制，免维护。

电气安装



电气安装工作只能由具有资质的电工执行。进行此项工作时，必须遵守

IEC 60364 -7- 701（对应于 VDE 0100 第 701 部分）的规定，以及国家 / 地区和当地的所有规定。

- 请勿在电气插座与沸水蓄热热水器的连接之间使用延长线。

安装

安装请参阅第 I 和 II。

安装蓄热热水器时需要考虑软管的有效长度。

此时尚不能连接电源。

给蓄热热水器加水，如图 [2a/b] 及 [3a/b] 所示。

1. 打开安全装置 (A) 上的截止阀，详情参见图 [2a/b]。
2. 向外拉动龙头手柄 (B) 上的按钮 (B1) 并逆时针旋转手柄。
3. 给蓄热热水器加水，直到有水从龙头的出水嘴流出。
4. 通过主插头 (C) 连接电源，请参见图 [3a/b]。
5. 按住蓄热热水器上的按钮 (D) 至少 2 秒钟，打开蓄热热水器。红色指示灯 (D1) 指示蓄热热水器已打开。



必须在维护贴上标明安装日期，并将其粘贴在蓄热热水器上的显眼位置。

服务

如果无法解决问题，请断开主插头以关闭电源。记下蓄热热水器背面的序列号并与 GROHE 客户服务部门联系，或者联系 TechnicalSupport-HQ@grohe.com 下的 GROHE 服务热线。

处置



此类设备不属于生活废弃物，但必须根据当地的相关国家 / 地区规定单独处置。



The boiling water storage heater with filter system may only be operated together with an original GROHE Red® boiling water fitting.

Safety notes

GROHE Red® boiling water storage heater:



This device is **not** intended for use by persons (including children) with physical, sensory or mental impairments or a lack of experience or knowledge in using devices of this type.

Children must be supervised to ensure that they do not play with the device.



Danger due to electric shock. Avoid damaged power supply cables. In the case of damage, the boiling water storage heater must be replaced by the manufacturer or its customer service department or an equally qualified person.

- The boiling water storage heater must be connected to a permanent power supply with earth wire.
- Installation may only be performed in frost-free rooms.
- The boiling water storage heater is only suitable for indoor use.
- The boiling water storage heater must be placed in an upright position.
- The boiling water storage heater and plug must **not** be directly or indirectly sprayed with water when cleaning.

The boiling water storage heater must not be opened.

If the boiling water storage heater is to be drained, the safety assembly of the boiling water storage heater must be removed. Invert the boiling water storage heater and allow the water to run out.

However, we strongly advise against draining the boiling water storage heater. There is a significant risk of damaging the boiling water storage heater.

Technical specifications

Boiling water storage heater electrical data:

- Connection: Wall socket with earth wire, protected with a 16 A fuse
- Voltage supply: 220V AC / 50Hz
- Power consumption: 1,900 W
- Standby power loss (switched on): 15 W
- Standby power loss (switched off): 1 W
- Type of protection: IPX4

Electrical installation



Electrical installation work must be performed only by a qualified electrician. This work must be carried out in accordance with the regulations to IEC 60364 -7-701 (corresponding to VDE 0100 Part 701) as well as all national and local regulations.

- Extension cables are **not** permitted between the electrical socket and boiling water storage heater connection.

Installation

Installation see page I and II.

Install storage heater taking into consideration the available hose lengths.

Do **not** connect voltage supply **yet**.

Filling storage heater with water, see Figs. [2a/b] and [3a/b].

1. Open shut-off valve (A) at safety assembly, see detail, Fig. [2a/b].
2. Pull button (B1) on handle (B) of fitting outward and turn the handle anti-clockwise.
3. Fill the storage heater until water comes out of the spout of the fitting.
4. Connect voltage supply via mains plug (C), see Fig. [3a/b].
5. Press and hold button (D) on storage heater for at least 2 seconds to switch on the storage heater. The red indicator lamp (D1) indicates that the storage heater is switched on.



The date of installation must be noted on the maintenance sticker and affixed at a visible location on the storage heater.

Service

If the problem cannot be rectified, disconnect the mains plug to shut off the voltage supply. Note down the serial number of the storage heater on the rear of the device and get in touch with GROHE Customer Service or contact the GROHE Service Hotline under **TechnicalSupport-HQ@grohe.com**.

Disposal



This category of device does **not** belong in the domestic waste, but must be disposed of separately in accordance with the relevant local national regulations.

Pure Freude an Wasser

GROHE
WAVES

D

+49 571 3989 333
impressum@grohe.de

A

+43 1 68060
info-at@grohe.com

AUS

Argent Sydney
+(02) 8394 5800
Argent Melbourne
+(03) 9682 1231

B

+32 16 230660
info.be@grohe.com

BG

+359 2 9719959
grohe-bulgaria@grohe.com

CAU

+99 412 497 09 74
info-az@grohe.com

CDN

+1 888 6447643
info@grohe.ca

CH

+41 448777300
info@grohe.ch

CN

+86 21 63758878

CY

+357 22 465200
info@grome.com

CZ

+420 277 004 190
grohe-cz@grohe.com

DK

+45 44 656800
grohe@grohe.dk

E

+34 93 3368850
grohe@grohe.es

EST

+372 6616354
grohe@grohe.ee

F

+33 1 49972900
marketing-fr@grohe.com

FIN

+358 10 8201100
teknocalor@teknocalor.fi

GB

+44 871 200 3414
info-uk@grohe.com

GR

+30 210 2712908
nsapountzis@ath.forthnet.gr

H

+36 1 2388045
info-hu@grohe.com

HK

+852 2969 7067
info@grohe.hk

I

+39 2 959401
info-it@grohe.com

IND

+91 124 4933000
customercare.in@grohe.com

IS

+354 515 4000
jonst@byko.is

J

+81 3 32989730
info@grohe.co.jp

KZ

+7 727 311 07 39
info-cac@grohe.com

LT

+372 6616354
grohe@grohe.ee

LV

+372 6616354
grohe@grohe.ee

MAL

+1 800 80 6570
info-singapore@grohe.com

N

+47 22 072070
grohe@grohe.no

NL

+31 79 3680133
vragen-nl@grohe.com

NZ

+09/373 4324

P

+351 234 529620
commercial-pt@grohe.com

PL

+48 22 5432640
biuro@grohe.com.pl

RI

+62 21 2358 4751
info-singapore@grohe.com

RO

+40 21 2125050
info-ro@grohe.com

ROK

+82 2 559 0790
info-singapore@grohe.com

RP

+63 2 8041617

RUS

+7 495 9819510
info@grohe.ru

S

+46 771 141314
grohe@grohe.se

SGP

+65 6 7385585
info-singapore@grohe.com

SK

+420 277 004 190
grohe-cz@grohe.com

T

+66 2610 3685
info-singapore@grohe.com

TR

+90 216 441 23 70
GroheTurkey@grome.com

UA

+38 44 5375273
info-ua@grohe.com

USA

+1 800 4447643
us-customerservice@grohe.com

VN

+84 8 5413 6840
info-singapore@grohe.com

AL **BiH** **HR** **KS**

ME **MK** **SLO** **SRB**

+385 1 2911470
adria-hr@grohe.com

**Eastern Mediterranean,
Middle East - Africa**

Area Sales Office:
+357 22 465200
info@grome.com

IR **OM** **UAE** **YEM**

+971 4 3318070
grohedubai@grome.com

Far East Area Sales Office:

+65 6311 3600
info@grohe.com.sg