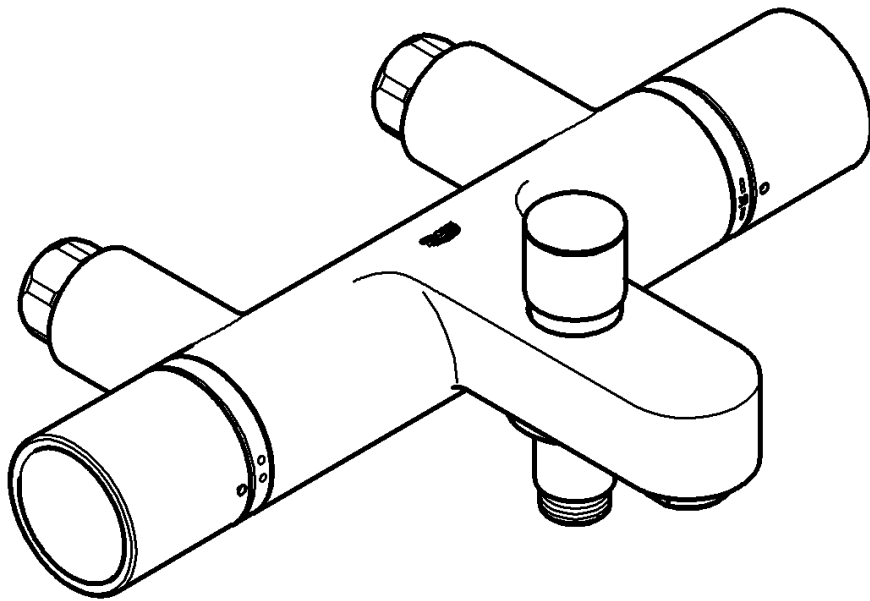


34 448



Grohtherm 1000 Cosmopolitan

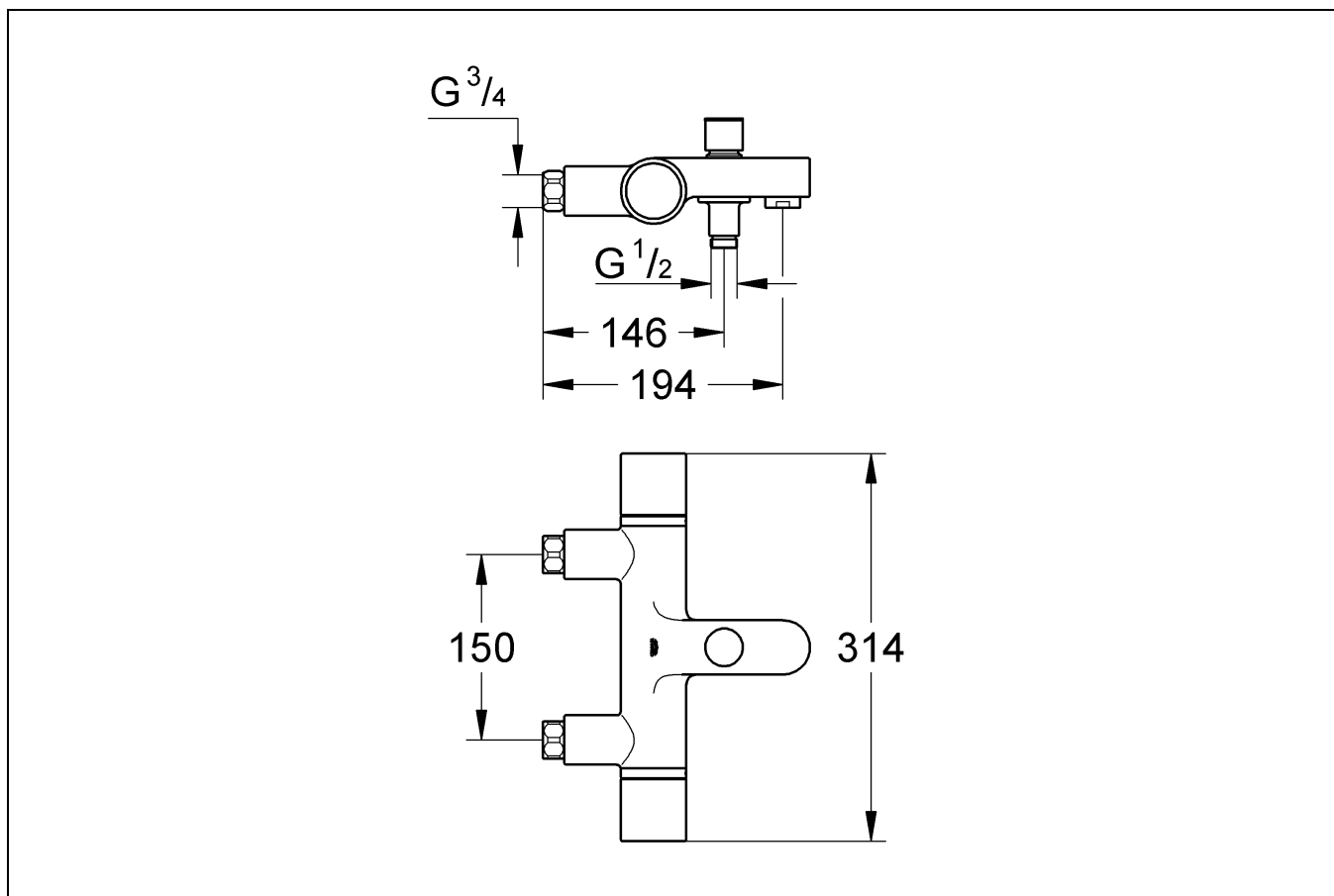
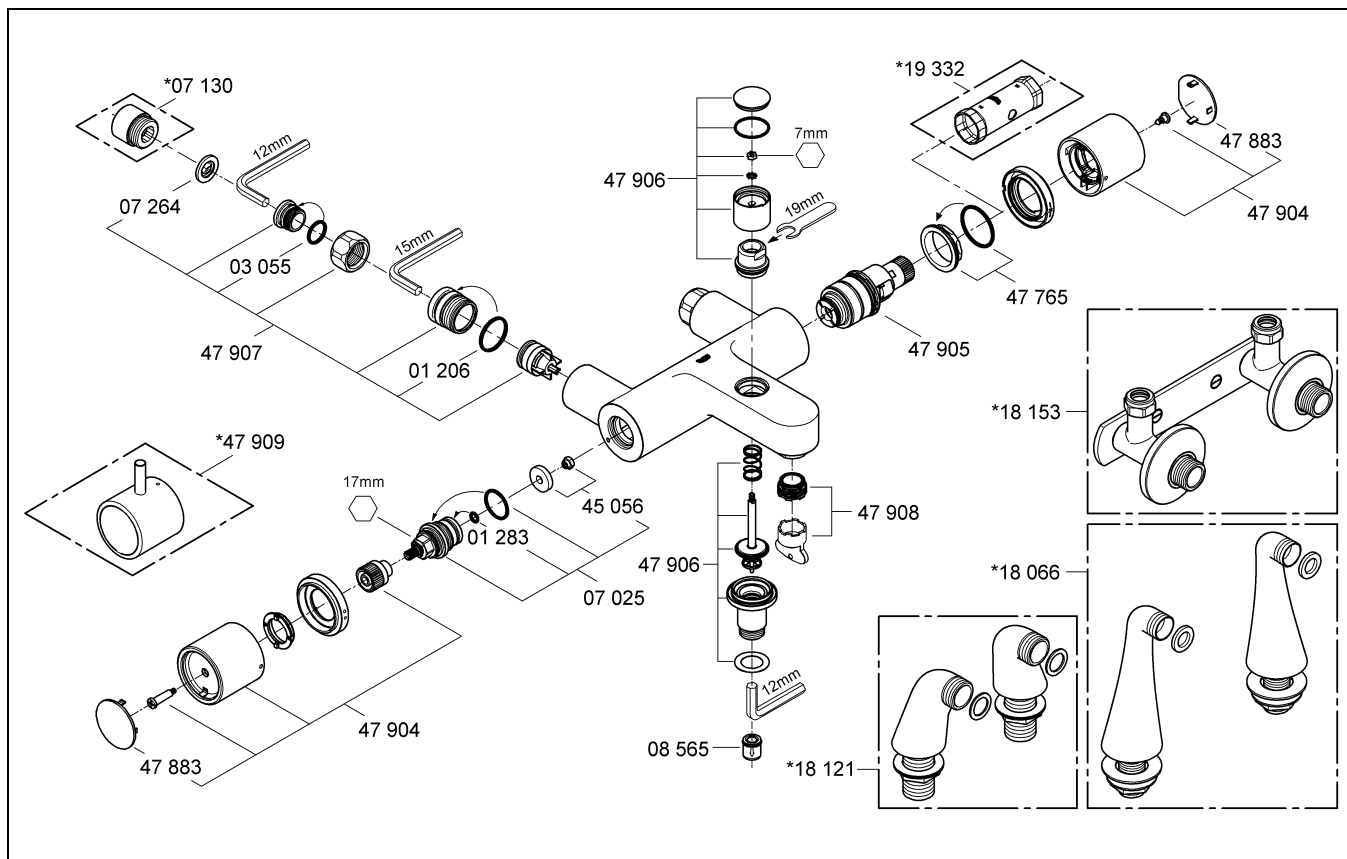
Grohtherm 1000 Cosmopolitan

Design + Engineering GROHE Germany

93.947.131/ÄM 230456/01.14

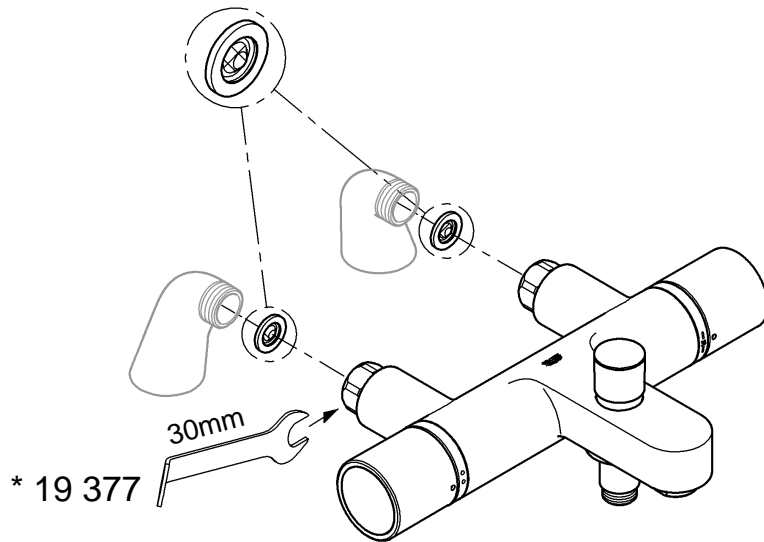
GROHE

ENJOY WATER®

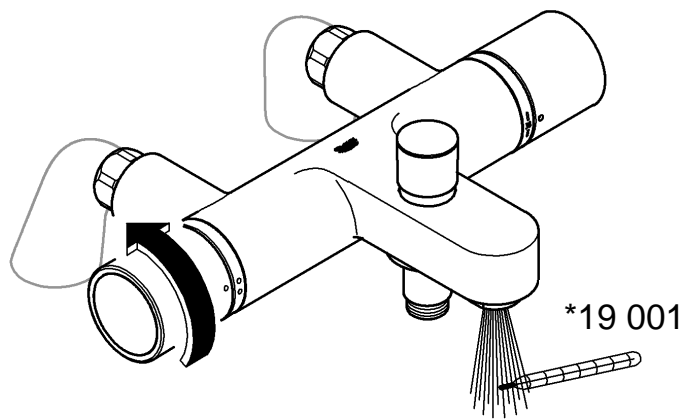


Please pass these instructions on to the end user of the fitting!

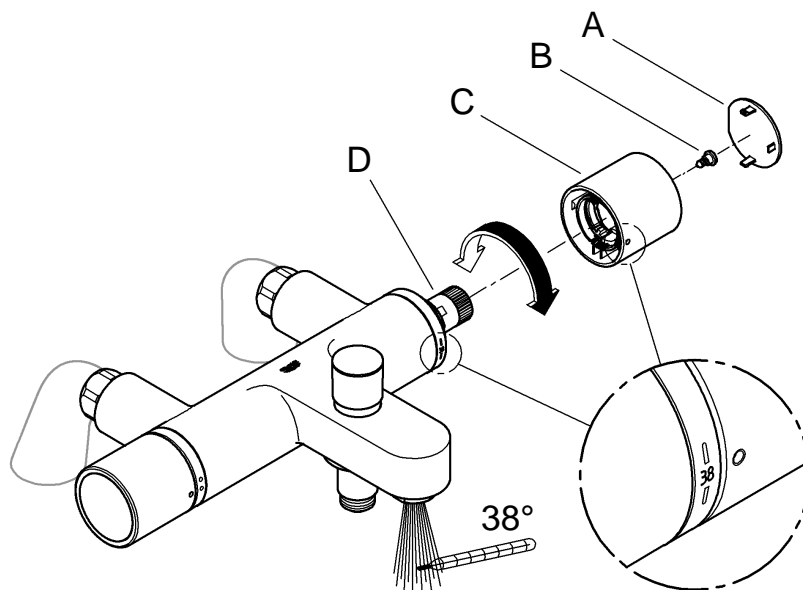
1

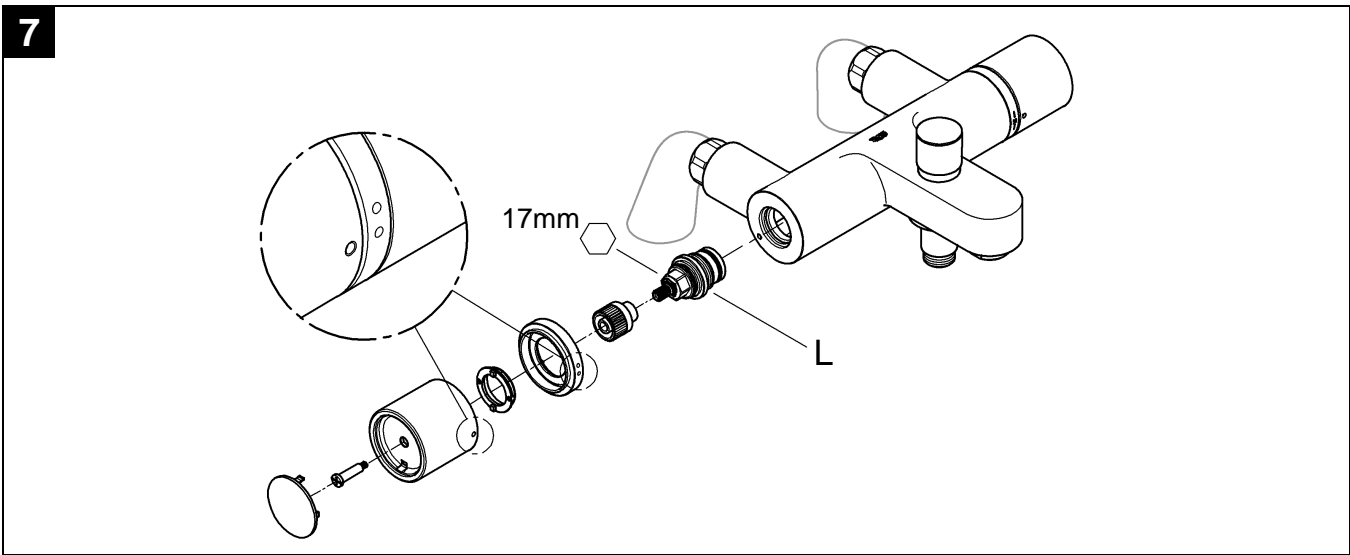
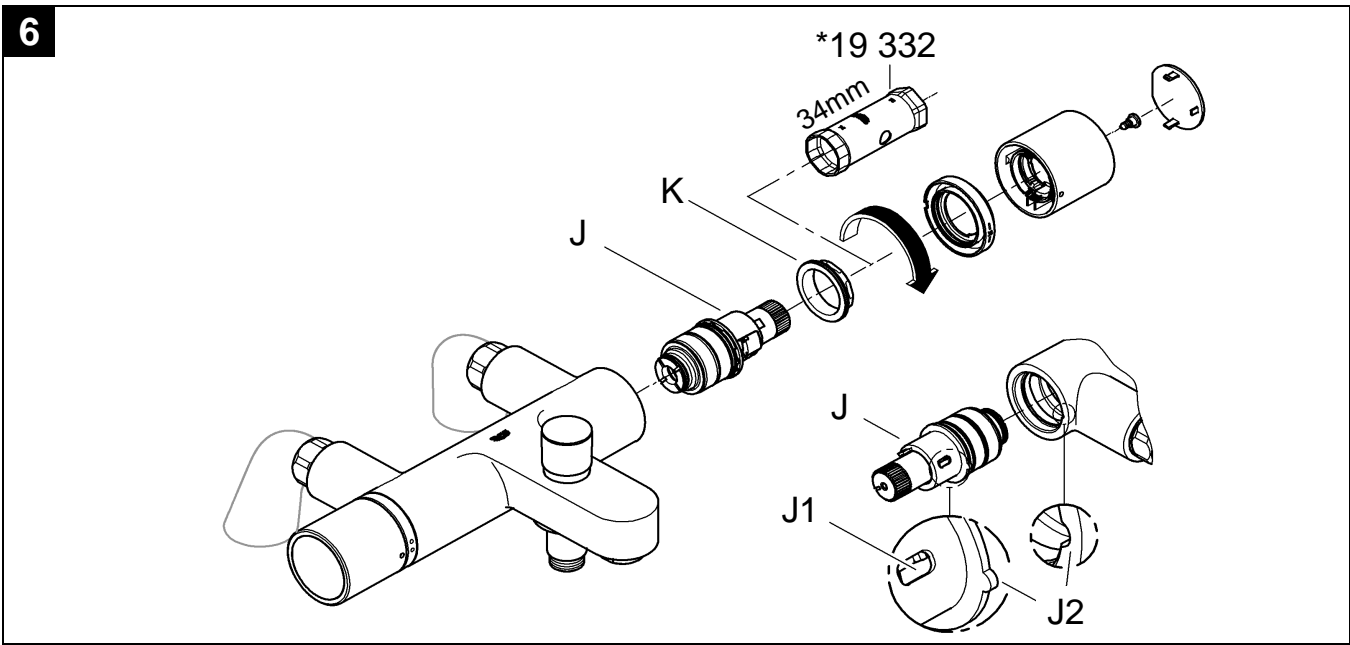
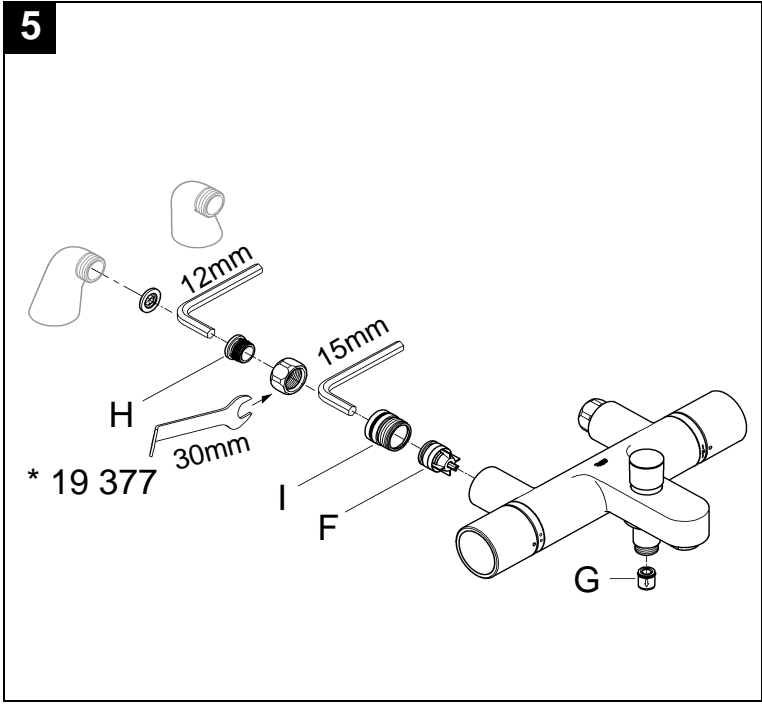
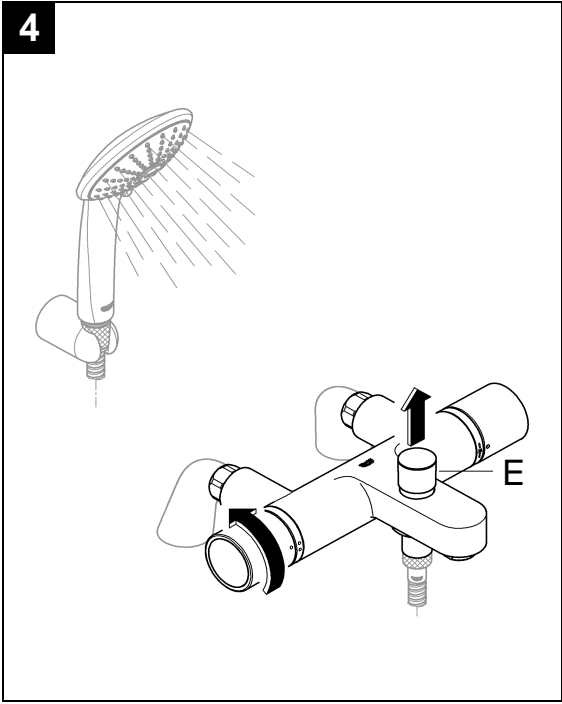


2



3







Application

Thermostat mixers are designed for hot water supply via pressurised storage heaters and, utilised in this way, provide the best temperature accuracy. With sufficient power output (from 18 kW or 250 kcal/min), electric or gas instantaneous heaters are also suitable.

Thermostats **cannot** be used in conjunction with non-pressurised storage heaters (displacement water heaters).

All thermostats are adjusted in the factory at a flow pressure of 3 bar on both sides.

Should temperature deviations occur on account of special installation conditions, the thermostat must be adapted to local conditions (see Adjusting).

Specifications

	limits of use	recommended limits for correct operation
Dynamic pressure	0,1 to 1 bar	0,2 to 1 bar
Mechanical strength	static pressure 10 bar	
Test pressure	16 bar	

Avoid major pressure differences between cold and hot water supply.

- Maximum pressure difference: 5: 1
 - Flow rate at 0.2 bar flow pressure without downstream restrictor: approx. 15 l/min
 - Temperature
 - Hot water inlet (maximum): 80 °C
 - Recommended (energy saving): 60 °C
 - Water connection cold - right hot - left 5 l/min
- Minimum flow rate:

Installation

Flush piping system prior and after installation of fitting thoroughly (Consider EN 806)!

Screw-mount the mixer, see fold-out page II, Fig. [1]. Refer to the dimensional drawings on fold-out page I. The projection can be increased by 20mm with an extension, see Replacement Parts, fold-out page I, Prod. no. 07 130.

For better fixing into dry-lined walls a mounting frame can be used (see Replacement Parts, fold-out page I, Prod. no.: 18 153).

With pillar union 18 121 or 18 066 (see Replacement Parts, fold-out page I) fitting distance 150mm can be switched to 180mm bathtub rim.

Adjustment

Temperature adjustment, see Figs. [2] and [3].

1. Open the shut-off valve and check the temperature of the water with a thermometer, see Fig. [2].
2. Lever out cap (A), see Fig. [3].
3. Remove screw (B).
4. Detach temperature control handle (C).
5. Turn regulating nut (D) until the water temperature has reached 38 °C.

Install in reverse order.

Check operation of automatic diverter (E), see fold-out page III, Fig. [4].

Flow is diverted automatically from shower outlet to bath inlet when the fitting is closed.

Prevention of frost damage

When the domestic water system is drained, thermostat mixers must be drained separately, since non-return valves are installed in the hot and cold water connections. For this purpose, the mixer must be removed from the wall.

Maintenance

Inspect and clean all parts, replace if necessary and lubricate with special valve grease.

Shut off the hot and cold water supply.

I. Non-return valve (F) or (G), see fold-out page III, Fig. [5].

- Remove connection nipple (H) by turning clockwise (left-hand thread) using a 12mm allen key.
- Remove connection nipple (I) by turning clockwise (left-hand thread) using a 15mm allen key.

Install in reverse order.

II. Thermostatic compact cartridge (J), see fold-out page III, Fig. [6].

- Loosen screw ring (K) using a 34mm tool.
- If necessary, lever out thermostatic compact cartridge (J) via recess (J1).
- Remove screw ring (K).

Install in reverse order.

Observe the correct installation position of the thermostatic compact cartridge (J), see detail (J2).

Readjustment is necessary after every maintenance operation on the thermostatic compact cartridge (see Adjusting).

III. Ceramic headpart (L), see fold-out page III, Fig. [7].

IV. Unscrew and clean flow straightener (47 908), see fold-out page I.

Replacement Parts, see fold-out pages I (* = special accessories).

Care

Dear Customer,

We want to ensure that you get long-lasting satisfaction and pleasure from your GROHE fitting. Therefore, please read the following care instructions because damage to the surface and underlying material resulting from improper treatment is not covered by warranty.

Do not use any abrasive sponges or scouring agents for cleaning. We also advise you not to use cleaning agents containing solvent or acid, limescale removers, household vinegar and cleaning agents with acetic acid in them. They are aggressive to the surface - and will leave your fitting dull and scratched. As the formulations of commercially available cleaning agents frequently change, we cannot guarantee they will provide the gentle care our fitting deserves.

Clean the fitting with a little soap and a moist cloth only, then simply rinse off and wipe dry. You can avoid lime spots by drying the fitting each time it is used. If lime deposits do occur, remove them with **GrohClean**, our environment-friendly cleaning liquid. **GrohClean** is specially formulated to clean the surface of our fittings gently. **GrohClean** is available from your supplier.

D
☎ +49 571 3989 333
impressum@grohe.de

A
☎ +43 1 68060
info-at@grohe.com

AUS
Argent Sydney
☎ +(02) 8394 5800
Argent Melbourne
☎ +(03) 9682 1231

B
☎ +32 16 230660
info.be@grohe.com

BG
☎ +359 2 9719959
grohe-bulgaria@grohe.com

CAU
☎ +99 412 497 09 74
info-az@grohe.com

CDN
☎ +1 888 6447643
info@grohe.ca

CH
☎ +41 448777300
info@grohe.ch

CN
☎ +86 21 63758878

CY
☎ +357 22 465200
info@grome.com

CZ
☎ +420 277 004 190
grohe-cz@grohe.com

DK
☎ +45 44 656800
grohe@grohe.dk

E
☎ +34 93 3368850
grohe@grohe.es

EST
☎ +372 6616354
grohe@grohe.ee

F
☎ +33 1 49972900
marketing-fr@grohe.com

FIN
☎ +358 10 8201100
teknocalor@teknocalor.fi

GB
☎ +44 871 200 3414
info-uk@grohe.com

GR
☎ +30 210 2712908
nsapountzis@ath.forthnet.gr

H
☎ +36 1 2388045
info-hu@grohe.com

HK
☎ +852 2969 7067
info@grohe.hk

I
☎ +39 2 959401
info-it@grohe.com

IND
☎ +91 124 4933000
customercare.in@grohe.com

IS
☎ +354 515 4000
jonst@byko.is

J
☎ +81 3 32989730
info@grohe.co.jp

KZ
☎ +7 727 311 07 39
info-cac@grohe.com

LT
☎ +372 6616354
grohe@grohe.ee

LV
☎ +372 6616354
grohe@grohe.ee

MAL
☎ +1 800 80 6570
info-singapore@grohe.com

N
☎ +47 22 072070
grohe@grohe.no

NL
☎ +31 79 3680133
vragen-nl@grohe.com

NZ
☎ +09/373 4324

P
☎ +351 234 529620
commercial-pt@grohe.com

PL
☎ +48 22 5432640
biuro@grohe.com.pl

RI
☎ +62 21 2358 4751
info-singapore@grohe.com

RO
☎ +40 21 2125050
info-ro@grohe.com

ROK
☎ +82 2 559 0790
info-singapore@grohe.com

RP
☎ +63 2 8041617

RUS
☎ +7 495 9819510
info@grohe.ru

S
☎ +46 771 141314
grohe@grohe.se

SGP
☎ +65 6 7385585
info-singapore@grohe.com

SK
☎ +420 277 004 190
grohe-cz@grohe.com

T
☎ +66 2610 3685
info-singapore@grohe.com

TR
☎ +90 216 441 23 70
GroheTurkey@grome.com

UA
☎ +38 44 5375273
info-ua@grohe.com

USA
☎ +1 800 4447643
us-customerservice@grohe.com

VN
☎ +84 8 5413 6840
info-singapore@grohe.com

AL **BiH** **HR** **KS**
ME **MK** **SLO** **SRB**
☎ +385 1 2911470
adria-hr@grohe.com

**Eastern Mediterranean,
Middle East - Africa
Area Sales Office:**
☎ +357 22 465200
info@grome.com

IR **OM** **UAE** **YEM**
☎ +971 4 3318070
grohedubai@grome.com

Far East Area Sales Office:
☎ +65 6311 3600
info@grohe.com.sg