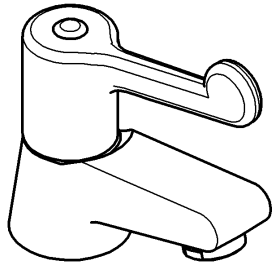
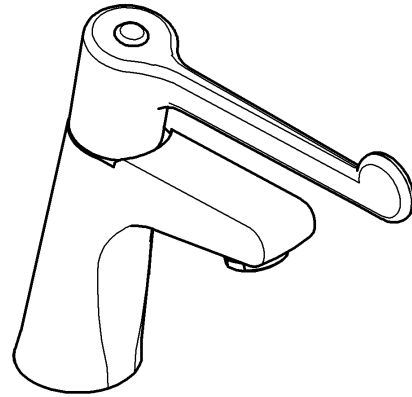


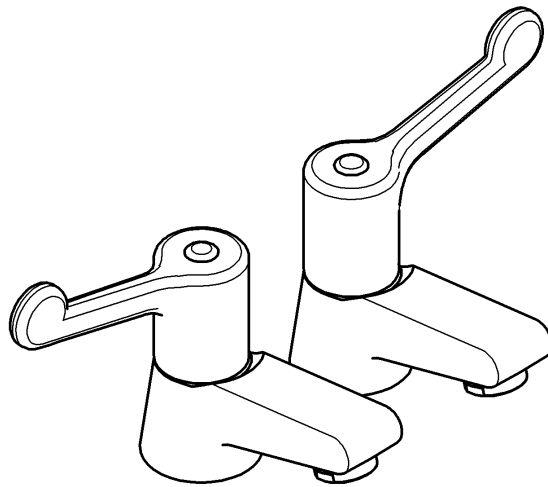
20 025



30 978



20 427



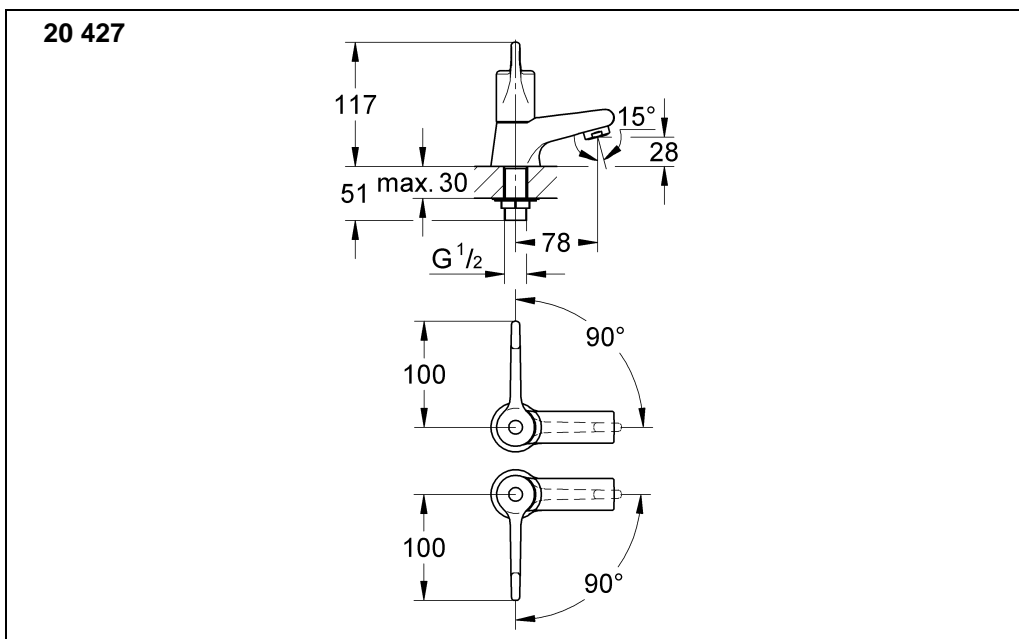
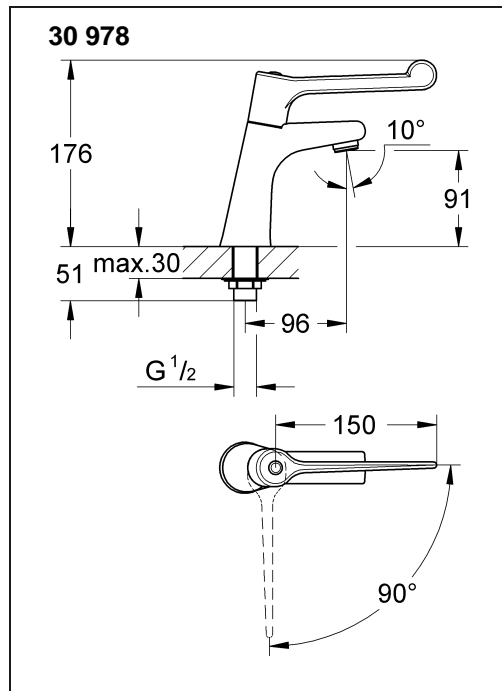
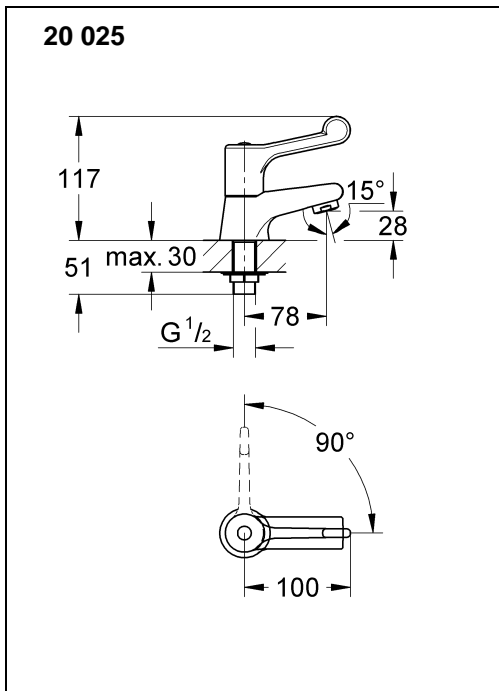
Hospita

## Hospita

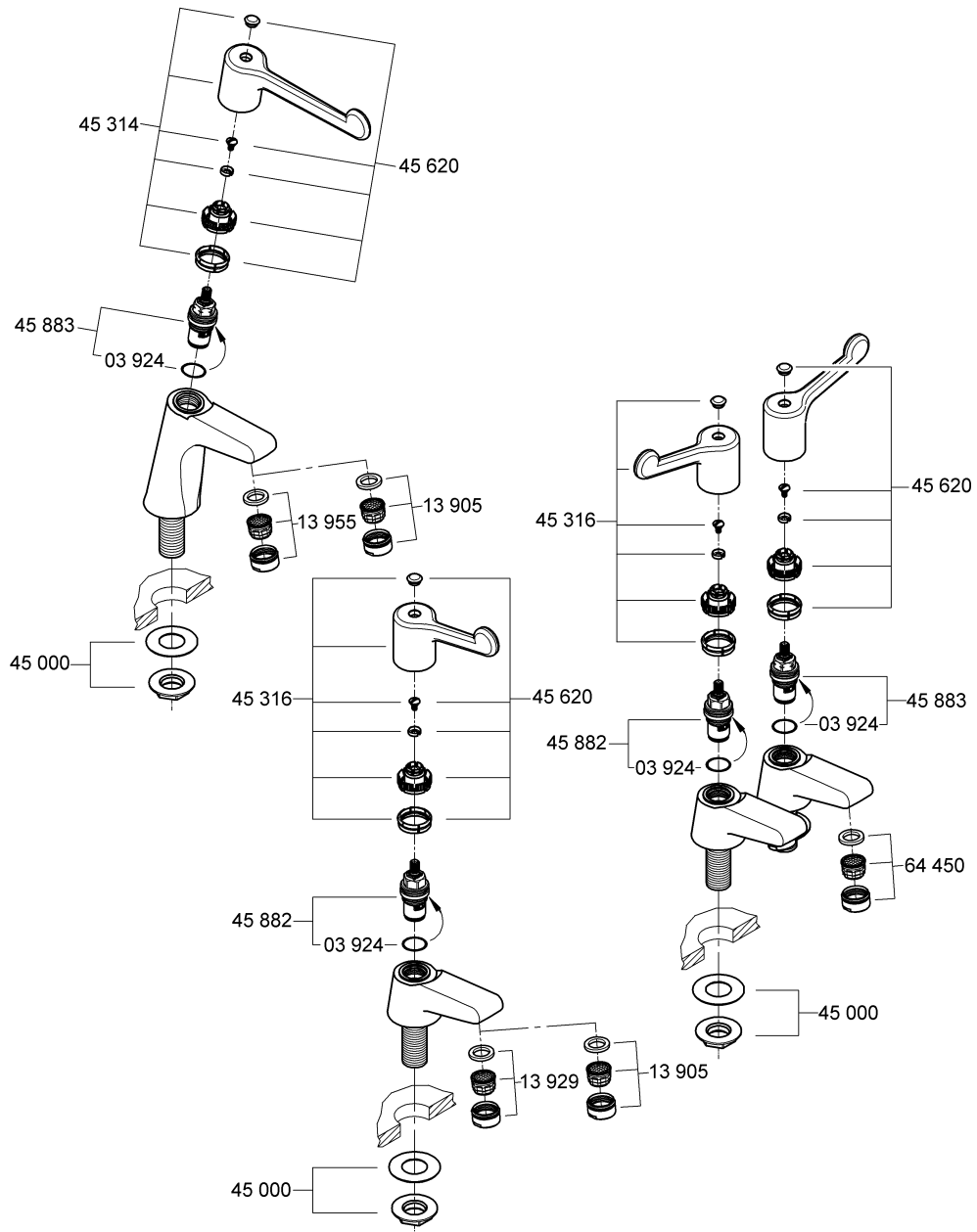
Design + Engineering GROHE Germany

95.219.231/ÄM 227495/06.13

**GROHE**  
ENJOY WATER®



Please pass these instructions on to the end user of the fitting.





## Application

Can be used in conjunction with: Pressurised storage heaters, thermally and hydraulically controlled instantaneous heaters. Operation with low-pressure displacement water heaters is **not** possible.

## Specifications

- Minimum flow pressure 0.1 bar
  - Maximum operating pressure 10 bar
  - Test pressure 16 bar
- If static pressure is greater than 5 bar, fit pressure reducer.

- Flow rate at 3 bar flow pressure:
  - 20 025 with mousseur 13 929: approx. 12 l/min
  - 30 978 with mousseur 13 955: approx. 7 l/min
  - 20 427 with mousseur 64 450: approx. 5,8 l/min
- Flow rate at 0,1 bar flow pressure:
  - 20 025 with mousseur 13 905: approx. 5 l/min
  - 30 978 with mousseur 13 905: approx. 5 l/min
- Temperature (20 427)
  - Hot water inlet (maximum): 80 °C
  - Recommended (energy saving): 60 °C
- Water connection cold - right  
hot - left

## Installation

**Flush piping system prior and after installation of fitting thoroughly** (Consider EN 806)!

For mounting pillar tap 20 025 or 30 978 see fold-out page III, Fig. [1] and [2].

For mounting pillar tap 20 427 see fold-out page III, Fig. [1] and [3].

Refer to the dimensional drawings on fold-out page I.

The cold water supply must be connected on the right and the hot water supply on the left.

**Open cold- and/or hot water supply and check connections for watertightness!**

**Check fitting for correct function.**

## Maintenance

Inspect and clean all parts, replace if necessary and grease with special grease.

### Shut off cold and/or hot water supply!

**Ceramic headpart (A)**, see fold-out page III, Fig. [4].

1. Pull off handle (B).
2. Unscrew screw (C) and pull off snap inserts (D).
3. Unscrew ceramic headpart (A) using a 17mm wrench.
4. Change complete ceramic headpart (A) or o-ring (A1).

**Observe the different replacement part numbers of the ceramic headparts.**

Assemble in reverse order.

**Replacement parts**, see fold-out page III, Fig. [5] and fold-out page II (\* = special accessories).

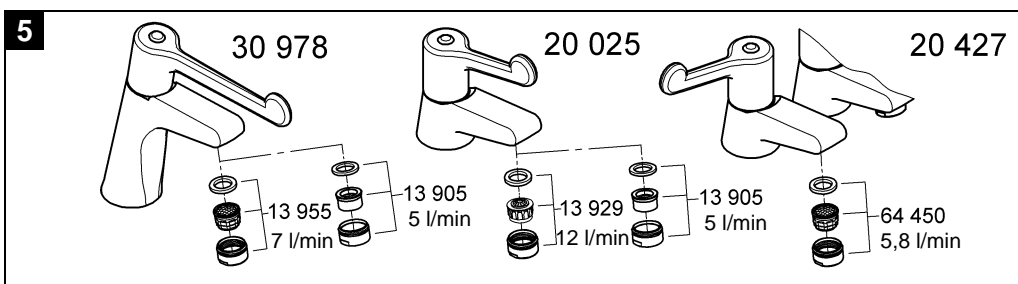
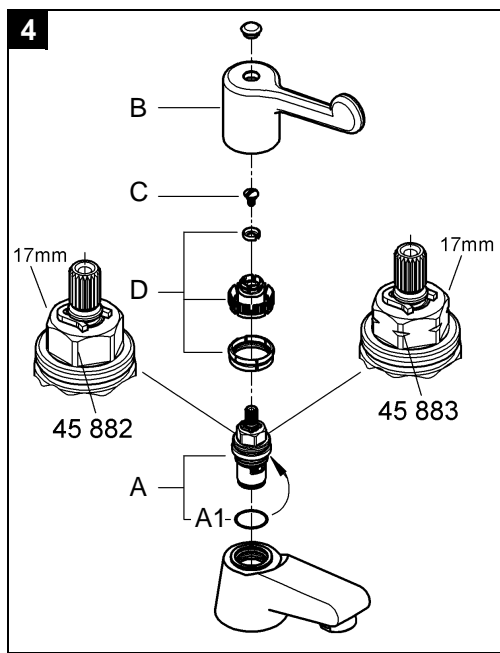
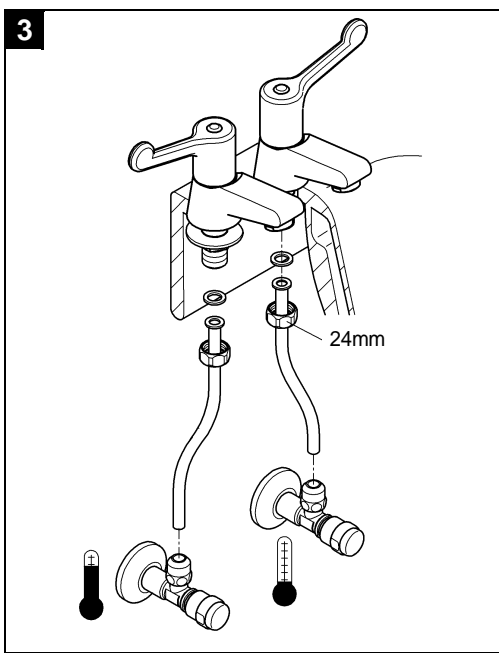
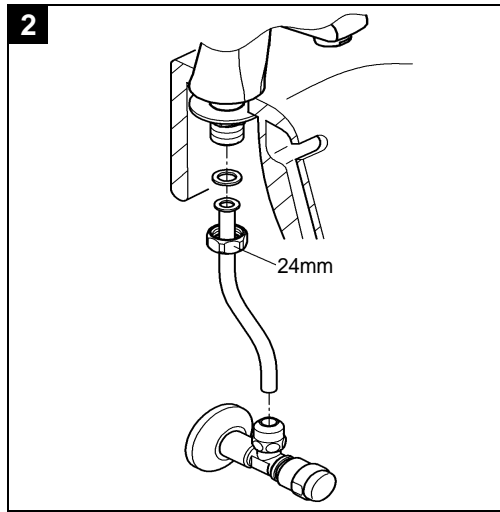
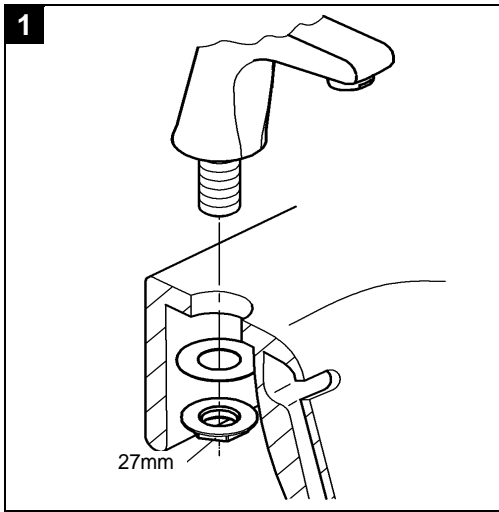
## Care

### Dear Customer,

We want to ensure that you get long-lasting satisfaction and pleasure from your GROHE fitting. Therefore, please read the following care instructions because damage to the surface and underlying material resulting from improper treatment is not covered by warranty.

Do not use any abrasive sponges or scouring agents for cleaning. We also advise you not to use cleaning agents containing solvent or acid, limescale removers, household vinegar and cleaning agents with acetic acid in them. They are aggressive to the surface - and will leave your fitting dull and scratched. As the formulations of commercially available cleaning agents frequently change, we cannot guarantee they will provide the gentle care our fitting deserves.

Clean the fitting with a little soap and a moist cloth only, then simply rinse off and wipe dry. You can avoid lime spots by drying the fitting each time it is used. If lime deposits do occur, remove them with **GrohClean**, our environment-friendly cleaning liquid. **GrohClean** is specially formulated to clean the surface of our fittings gently. **GrohClean** is available from your supplier.



**(D)**  
☎ +49 571 3989 333  
impressum@grohe.de

**(A)**  
☎ +43 1 68060  
info-at@grohe.com

**(AUS)**  
**Argent Sydney**  
☎ +(02) 8394 5800  
**Argent Melbourne**  
☎ +(03) 9682 1231

**(B)**  
☎ +32 16 230660  
info.be@grohe.com

**(BG)**  
☎ +359 2 9719959  
grohe-bulgaria@grohe.com

**(CAU)**  
☎ +99 412 497 09 74  
info-az@grohe.com

**(CDN)**  
☎ +1 888 6447643  
info@grohe.ca

**(CH)**  
☎ +41 448777300  
info@grohe.ch

**(CN)**  
☎ +86 21 63758878

**(CY)**  
☎ +357 22 465200  
info@grome.com

**(CZ)**  
☎ +420 22509 1082  
grohe-cz@grohe.com

**(DK)**  
☎ +45 44 656800  
grohe@grohe.dk

**(E)**  
☎ +34 93 3368850  
grohe@grohe.es

**(EST)**  
☎ +372 6616354  
grohe@grohe.ee

**(F)**  
☎ +33 1 49972900  
marketing-fr@grohe.com

**(FIN)**  
☎ +358 10 8201100  
teknocalor@teknocalor.fi

**(GB)**  
☎ +44 871 200 3414  
info-uk@grohe.com

**(GR)**  
☎ +30 210 2712908  
nsapountzis@ath.forthnet.gr

**(H)**  
☎ +36 1 2388045  
info-hu@grohe.com

**(HK)**  
☎ +852 2969 7067  
info@grohe.hk

**(I)**  
☎ +39 2 959401  
info-it@grohe.com

**(IND)**  
☎ +91 124 4933000  
customercare.in@grohe.com

**(IS)**  
☎ +354 515 4000  
jonst@byko.is

**(J)**  
☎ +81 3 32989730  
info@grohe.co.jp

**(KZ)**  
☎ +7 727 311 07 39  
info-cac@grohe.com

**(LT)**  
☎ +372 6616354  
grohe@grohe.ee

**(LV)**  
☎ +372 6616354  
grohe@grohe.ee

**(MAL)**  
☎ +1 800 80 6570  
info-singapore@grohe.com

**(N)**  
☎ +47 22 072070  
grohe@grohe.no

**(NL)**  
☎ +31 79 3680133  
vragen-nl@grohe.com

**(NZ)**  
☎ +09/373 4324

**(P)**  
☎ +351 234 529620  
commercial-pt@grohe.com

**(PL)**  
☎ +48 22 5432640  
biuro@grohe.com.pl

**(RI)**  
☎ +62 21 2358 4751  
info-singapore@grohe.com

**(RO)**  
☎ +40 21 2125050  
info-ro@grohe.com

**(ROK)**  
☎ +82 2 559 0790  
info-singapore@grohe.com

**(RP)**  
☎ +63 2 8041617

**(RUS)**  
☎ +7 495 9819510  
info@grohe.ru

**(S)**  
☎ +46 771 141314  
grohe@grohe.se

**(SGP)**  
☎ +65 6 7385585  
info-singapore@grohe.com

**(SK)**  
☎ +420 22509 1082  
grohe-cz@grohe.com

**(T)**  
☎ +66 2610 3685  
info-singapore@grohe.com

**(TR)**  
☎ +90 216 441 23 70  
GroheTurkey@grome.com

**(UA)**  
☎ +38 44 5375273  
info-ua@grohe.com

**(USA)**  
☎ +1 800 4447643  
us-customerservice@grohe.com

**(VN)**  
☎ +84 8 5413 6840  
info-singapore@grohe.com

**(AL)** **(BiH)** **(HR)** **(KS)**  
**(ME)** **(MK)** **(SLO)** **(SRB)**  
☎ +385 1 2911470  
adria-hr@grohe.com

**Eastern Mediterranean,  
Middle East - Africa  
Area Sales Office:**  
☎ +357 22 465200  
info@grome.com

**(IR)** **(OM)** **(UAE)** **(YEM)**  
☎ +971 4 3318070  
grohedubai@grome.com

**Far East Area Sales Office:**  
☎ +65 6311 3600  
info@grohe.com.sg

[www.grohe.com](http://www.grohe.com)

2013 / 03 / 26

**GROHE**  
  
ENJOY WATER®