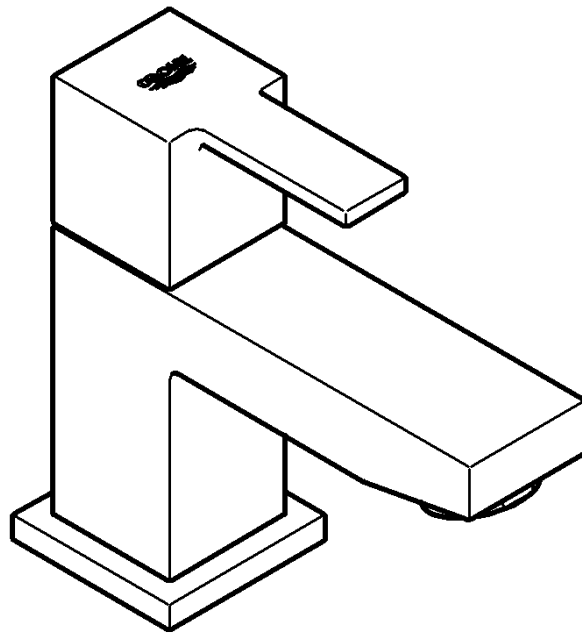


20 380

BauMetric



BauMetric

Ⓞ **CN**1

Ⓞ **GB**1

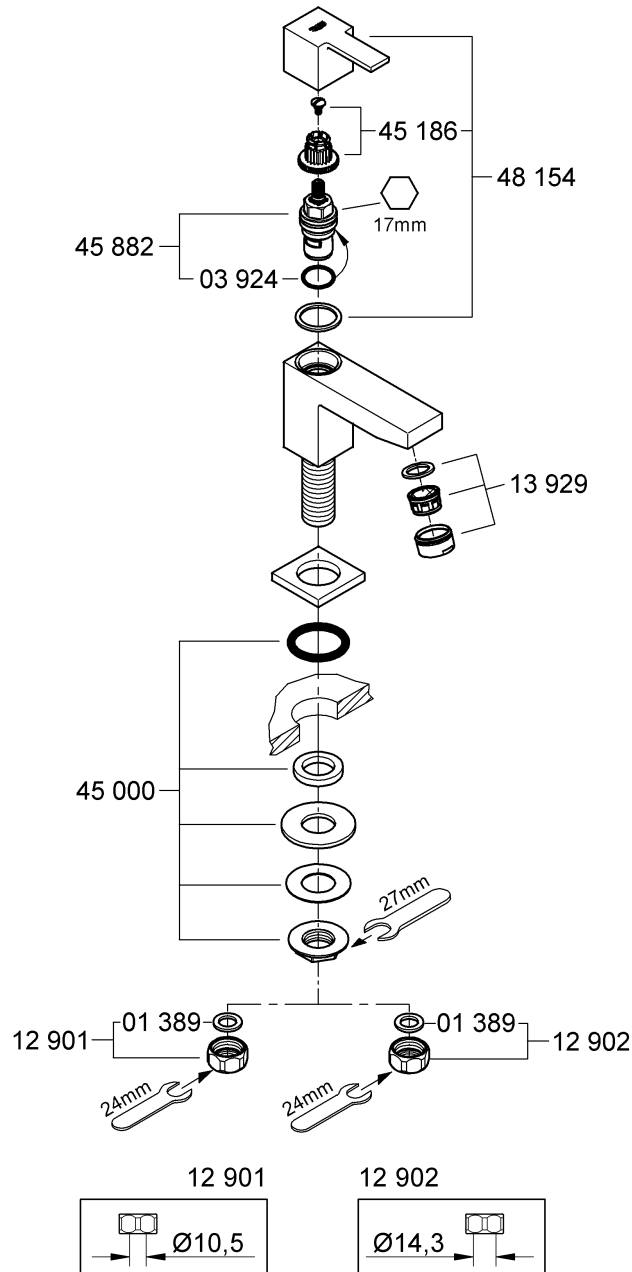
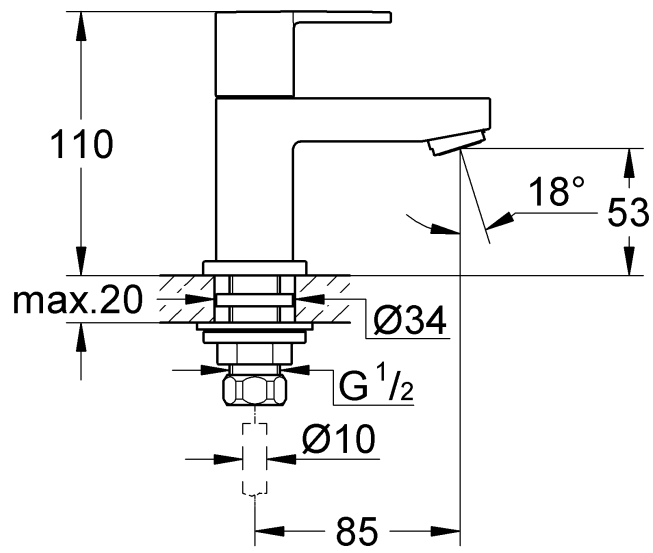
Ⓞ **D**2

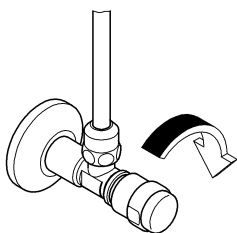
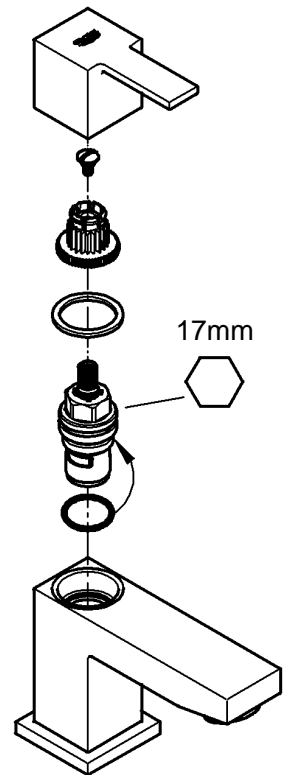
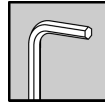
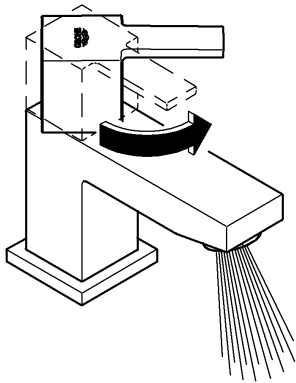
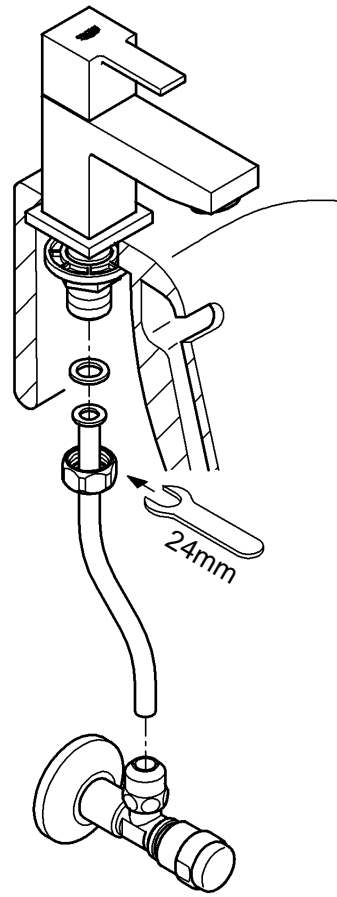
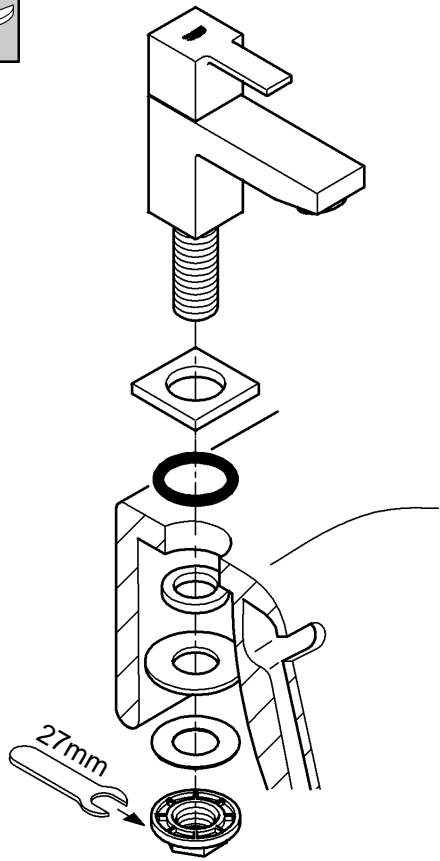
Design & Quality Engineering GROHE Germany

99.732.031/ÄM 223902/04.12

GROHE

ENJOY WATER®







本产品技术信息专为安装人员或经过培训的专业人员提供。
请向用户提供这些说明。

应用:

单控水龙头的用途

- 直接连接冷水进水管
- 连接混合水的出水管口

规格

水流压力:	最小 0.5 公斤—推荐使用 1 – 5 公斤
工作压力:	最大 10 公斤
测试压力:	16 公斤
水流压力为 3 公斤时的流量:	约为 12.5 升 / 分钟
热水入水口温度	最高 80 °C
推荐 (节能):	60 °C

如果静压超过 5 公斤，必须加装减压阀。



安装:
安装前后务必彻底冲洗所有管件 (考虑到 EN 806)。



功能:
检查连接是否有渗漏现象，并检查龙头的功能。



维护:
检查和清洁所有部件，根据需要更换部件。
维护时应关闭进水。



备件: 参见分解图
(* = 特殊零件)

保养: 参见“保养指南”



This technical product information is exclusively for the installer or trained specialists. Please pass these instructions on to the user.

Application:

Pillar usefull for:

- directly connection to cold water supply
- connection to outflow of mixed water supply

Specifications

Flow pressure:	min. 0.5 bar – recommended 1 – 5 bar
Operating pressure:	max. 10 bar
Test pressure:	16 bar
Flow rate at 3 bar flow pressure:	approx. 12.5 l/min
Hot water inlet temperature	max. 80 °C
Recommended (energy saving):	60 °C

If static pressure exceeds 5 bar, a pressure-reducing valve must be fitted.



Installation:
Flush piping system prior and after installation of fitting thoroughly (Consider EN 806)!



Function:
Check connections for leaks and check function of fitting.



Maintenance:
Inspect and clean all components and replace if necessary.
Shut off water supply for maintenance work.



Replacement parts: see exploded drawing
(* = special accessories)

Care: see Care Instructions

Grohe China

Unit 607-610, Central Plaza
227 North Huangpi Road
200003 Shanghai
Tel +86 (0) 21 63758878
Fax +86 (0) 21 63758665
www.grohe.cn

Grohe Hong Kong

Unit 3909, 39/F, AIA Tower
183 Electric Road
North Point
Hong Kong
Tel +852 2806 0611
Fax +852 2806 1102
www.grohe.hk

Grohe India

Unit no. 218, 2nd Floor, Splendour Forum
Jasola Distt. Centre
New Delhi 110044
National Toll-free 1 800 102 4475
Fax: +91 11 40 62 20 18
www.grohe.co.in

Grohe Indonesia

Regus, Suite 4507 / 4508 / 4510. Menara
BCA, 45th Floor
Jl. M.H. Thamrin, No.1
10301 Jakarta
National Toll-free 001 8036570 62
Tel +62 21 2358 4751
Fax +62 21 2358 5601
www.grohe.co.id

Grohe Japan

TRC Building, 3F
1-1 Heiwajima 6-chrome, Ota-ku
Tokyo 143-0006
Tel +81 3 3298 9730
Fax +81 3 3767 3811
www.grohe.co.jp

Grohe Korea

18F KyoungAm Building
157-27 Samsung-dong Gangnam-gu
Seoul 135-090
Tel +82 2 3450 1718
Fax +82 2 3450 1730
www.grohe.co.kr

Grohe Malaysia

Unit 19, Level 36 Menara Citibank
165 Jalan Ampang
50400 Kuala Lumpur
National Toll Free Line 1 800 80 6570
www.grohe.my

Grohe Philippines

18th Floor Philamlife Tower
8767 Paseo de Roxas
Makati City 1226
Tel +63 2 8149570
Fax +63 2 8308489

Grohe Singapore

180 Clemenceau Avenue
01-01/02 Haw Par Centre
Singapore 239922
Tel +65 6311 3611
Fax +65 6738 0855
www.grohe.sg

Grohe Thailand

Q-House Lumpini Level 27, No.1 South
Sathorn Road,
Tungmahamek, Sathorn
10120 Bangkok
Tel: +66 2610 3685
www.grohe.co.th

Grohe Vietnam

Crescent 2 Building, Units 09-10
107 Ton Dat Tien Street
Tan Phu Ward, District 7
Ho Chi Minh City
Tel +84 8 5413 6840
www.grohe.com.vn

www.grohe.com