

Pure Freude
an Wasser

GROHE
WAVE



COMFORTABLE CLEANING WITH PURE WATER

NO ELECTRICITY NEEDED –
THE GROHE MANUAL BIDET SEAT



BAU CERAMIC VERSATILITY FOR A MODERN LIFE

Designed to be compatible with a wide range of WCs, the GROHE Manual Bidet Seat is a simple solution. It can be easily installed on your existent WC and you only need to connect it to water. However, for a Perfect Match of form and function, GROHE recommends pairing it with the GROHE Bau Ceramic collection, an attractive, contemporary range with everything you need to create an attractive modern bathroom, including basins and WCs. The range's tactile lines will work in complete aesthetic harmony with the Manual Bidet Seat, ensuring maximum comfort, performance and visual appeal.

PERFECT MATCH

At GROHE we believe that a successful bathroom has harmonious design at its heart. It should be a space where every element works perfectly together, both in function and in form. With GROHE you can be confident that everything is a perfect fit, from ceramics to faucets to the smallest accessories. Our perfectly coordinated bathroom solutions ensure a design that is as distinctive as you are.



MANUAL BIDET SEAT INSTALLATION SITUATIONS

The Manual Bidet Seat can easily be installed with different water connection points.

CONNECTION TO THE CISTERN WATER SUPPLY



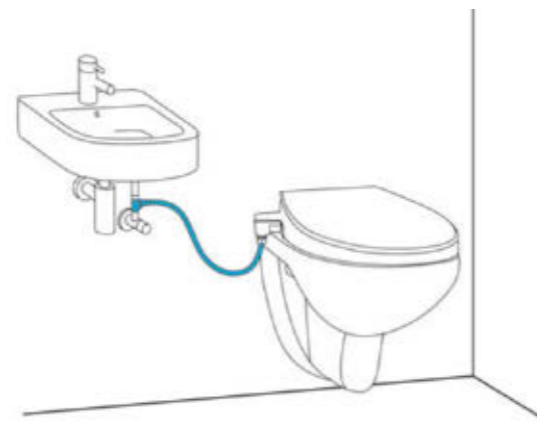
CONNECTION FROM A TRIGGER SPRAY WATER SUPPLY



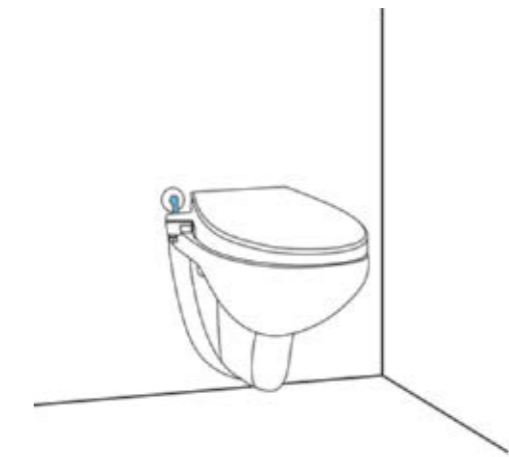
CONNECTION FROM THE WATER SUPPLY WITHIN THE CISTERN



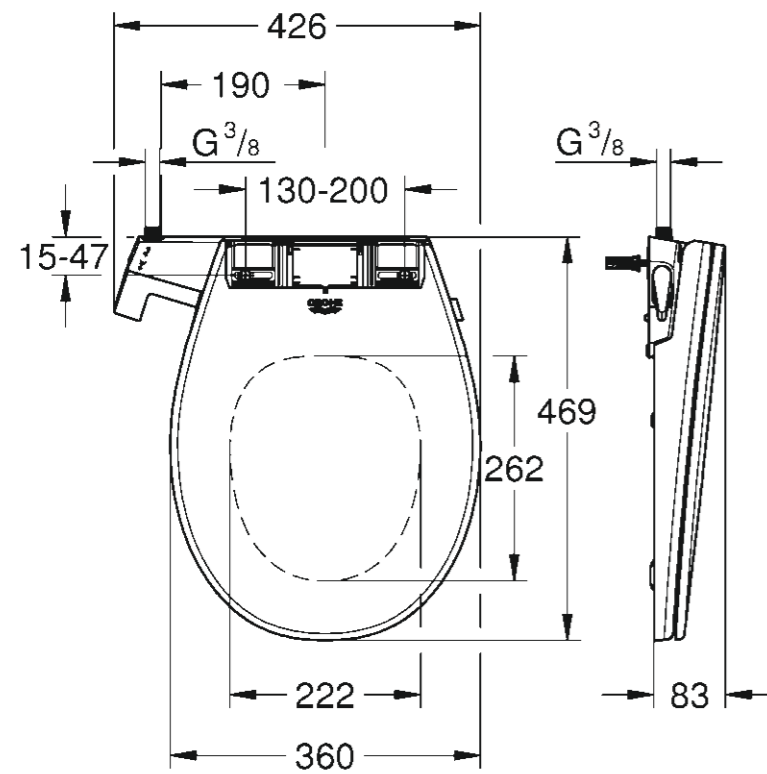
CONNECTION FROM A BASSIN WATER SUPPLY



CONNECTION FROM BEHIND THE WALL



TECHNICAL DETAILS



39 648 SH0
MANUAL BIDET SEAT

CONNECTIONS

WATER PRESSURE:
1 – 10 BAR
WATER CONNECTION: 3/8"

MATERIAL SEAT & LID

DUROPLAST

WEIGHT

5,0 KG

Approval

EN1717

EASY, FUSS-FREE INSTALLATION

The flexible installation system assures an effortless installation of the GROHE Manual Bidet Seat in a wide variety of situations. The adjustable connector enables an easy installation to any position on the wall.



If you want to check if the Manual Bidet Seat fits on your current WC ceramic, you can visit our homepage www.grohe.com and complete our questionnaire. The connection set with hose & T-piece must be ordered separately: 14 074 000.



SENSIA ARENA ULTIMATE HYGIENE



The GROHE Sensia Arena Toilet is the next level of personal care in the 21st century bathroom, offering a broad range of intelligent features. Prompted by a sensor, the lid opens and closes automatically while a gentle nightlight guides your way in the dark. The absorption of odors supports the transformation of a simple bathroom to a relaxing and hygienic zone. Every design detail has been carefully considered to offer new levels of cleanliness at every stage. Special hygienic coatings and powerful flushing keep the toilet clean while the self-cleaning, anti-bacterial spray arms give you total peace of mind when using the spray function. Discover the Sensia Arena and increase your personal well-being and comfort.

DISCOVER THE WORLD OF GROHE

If you're looking for ideas or solutions for your bathroom and kitchen, the **GROHE Media APP** is where you will find your inspiration. With a new name and a fresh new look for March 2019, this app puts all the latest content from GROHE – magazines, videos, books and brochures – at your fingertips. This is just a small selection of what the world of GROHE has to offer: the perfect addition to your GROHE home.

GET IT HERE



VISIT US ONLINE AND FOLLOW US ON SOCIAL MEDIA

FACEBOOK [grohe.enjoywater](https://www.facebook.com/grohe.enjoywater) | INSTAGRAM [grohe_global](https://www.instagram.com/grohe_global)
TWITTER [grohe](https://twitter.com/grohe) | YOUTUBE [grohe](https://www.youtube.com/grohe) | PINTEREST [grohe](https://www.pinterest.com/grohe)



System requirements
iPhone with iOS 11.0 or higher / smart phone with Android 6.0 or higher. The Bluetooth® word mark and logos are registered trademarks owned by Bluetooth SIG, Inc. and any use of such marks by Grohe AG is under license. Other trademarks and trade names are those of their respective owners. Apple, the Apple logo, iPod, iPod Touch, iPhone and iTunes are trademarks of Apple Inc., registered in the U.S. and other countries. Apple is not responsible for the function of this device or its compliance with safety and regulatory standards.

Follow us



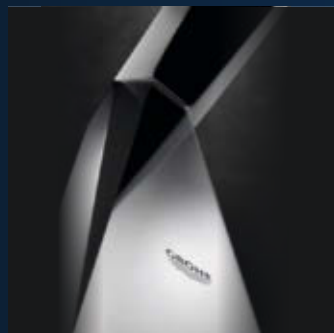
QUALITY

*"No.1 most trusted brand
in the sanitary industry" –
Wirtschaftswoche, 2017*



TECHNOLOGY

*"Top 50 companies
to change the world" –
Fortune Magazine, 2017*



DESIGN

*Over 400 design awards
won since 2003*



SUSTAINABILITY

*CSR Award winner of the
German Government, 2017*

Grohe AG
Feldmühleplatz 15
D - 40545 Düsseldorf
Germany

© 08/2019 – Copyright by GROHE

PART OF LIXIL