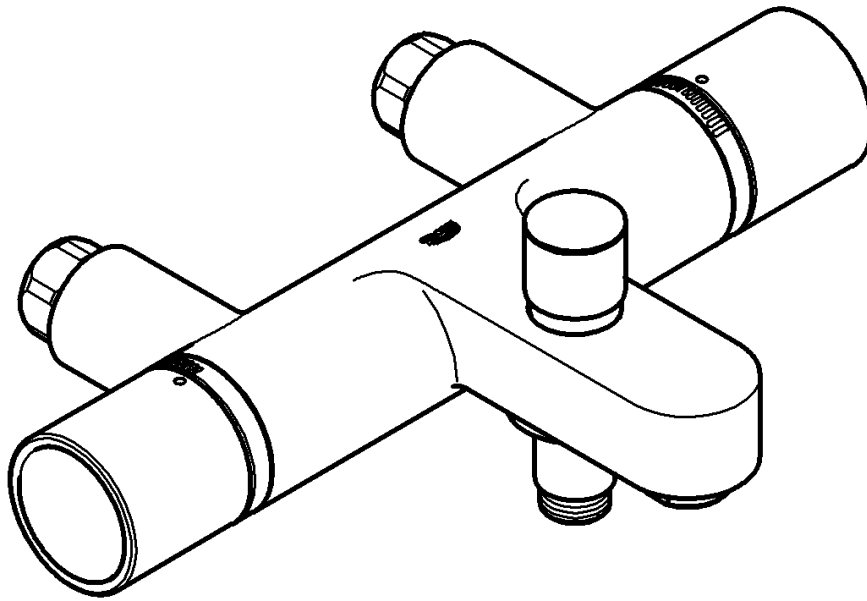
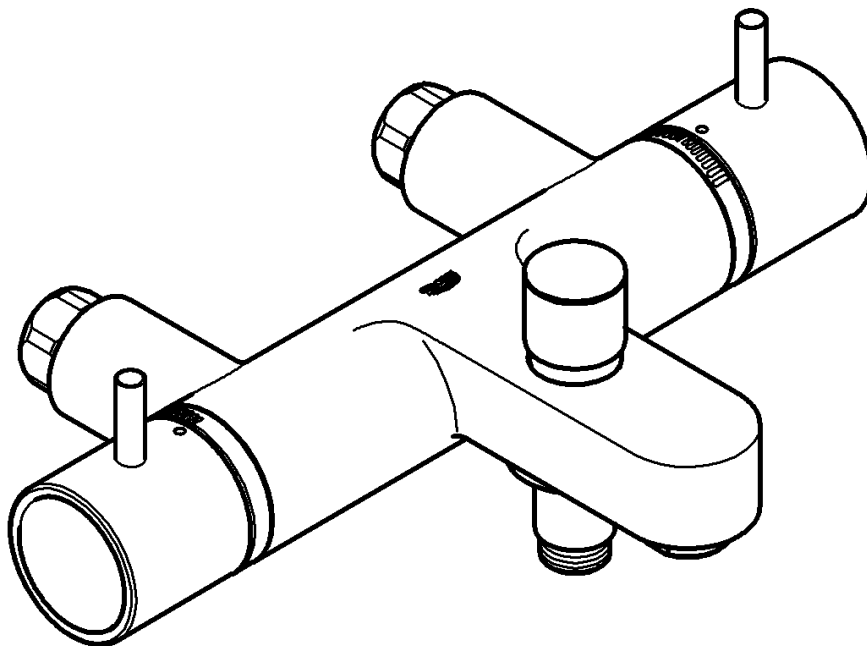


34 449



34 473

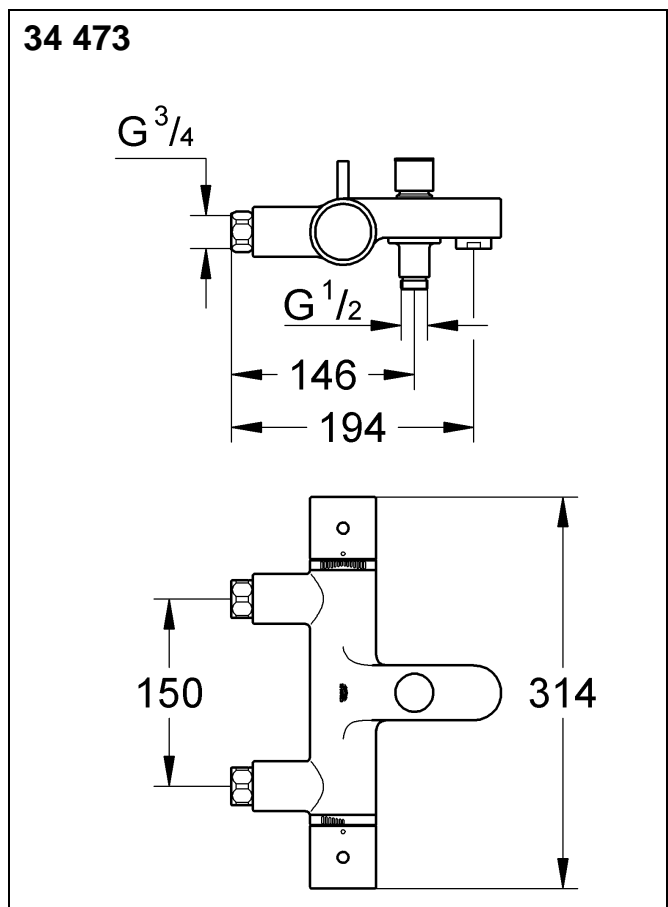
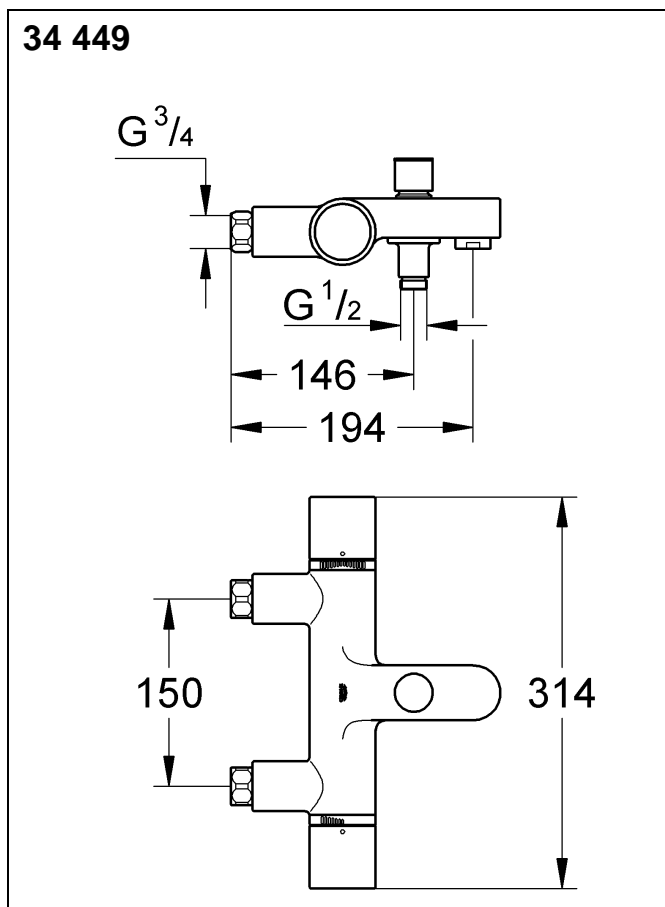
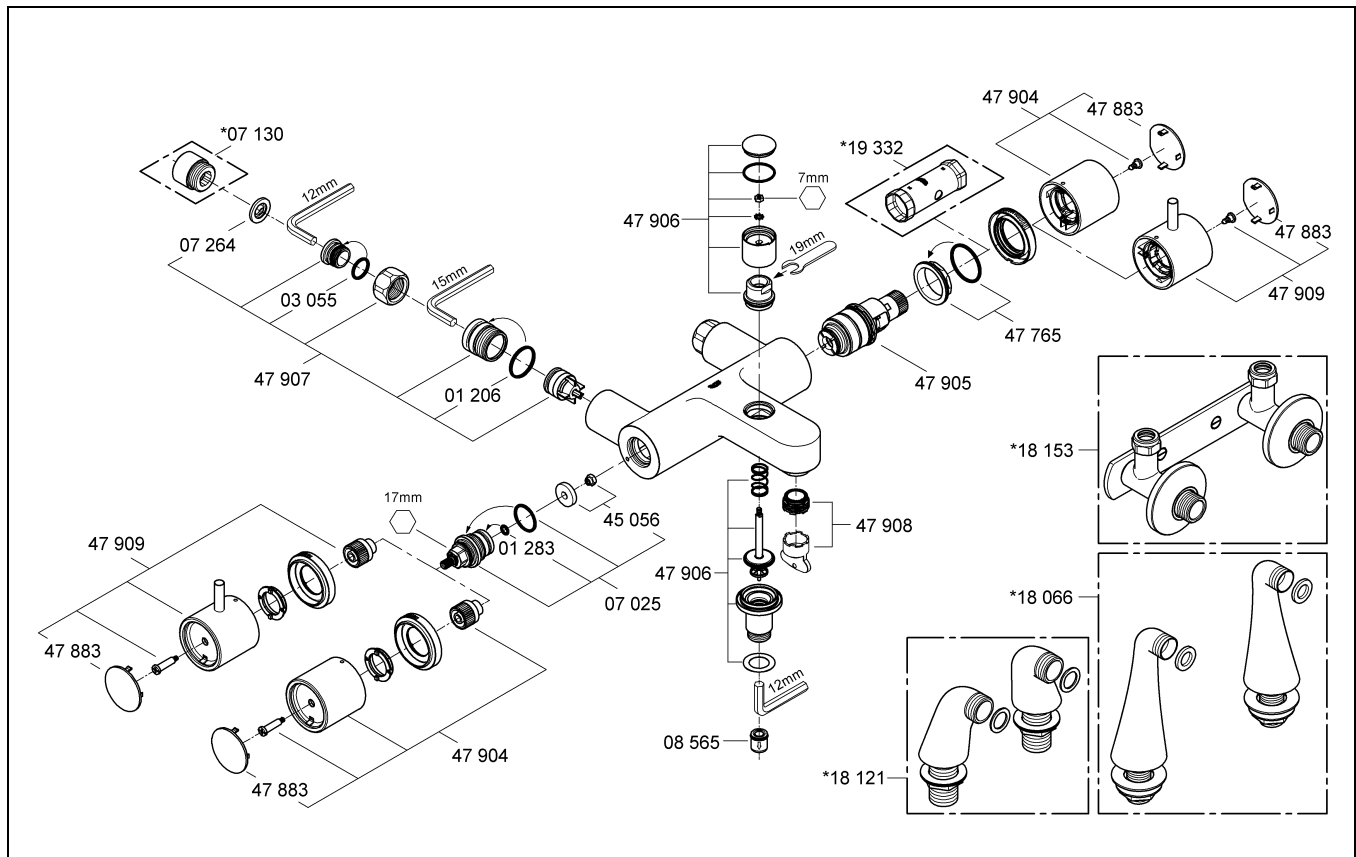


## Grotherm 1000 Cosmopolitan

Design + Engineering GROHE Germany

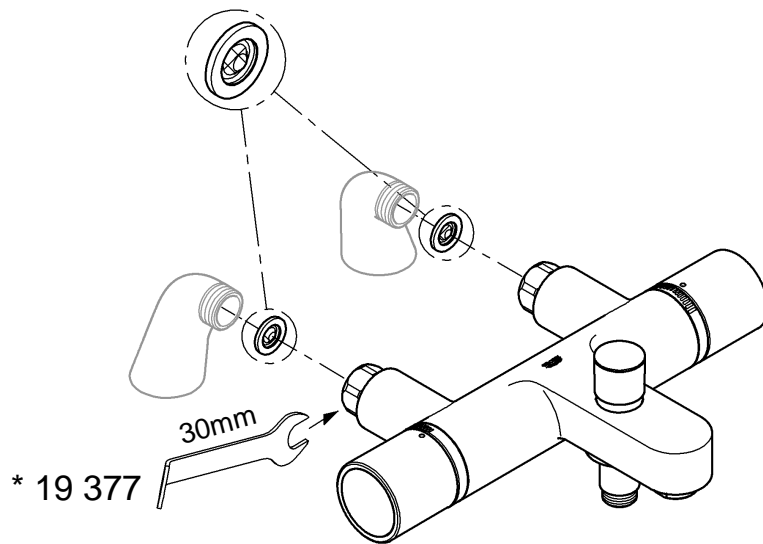
99.861.131/ÄM 230456/01.14

**GROHE**  
ENJOY WATER®

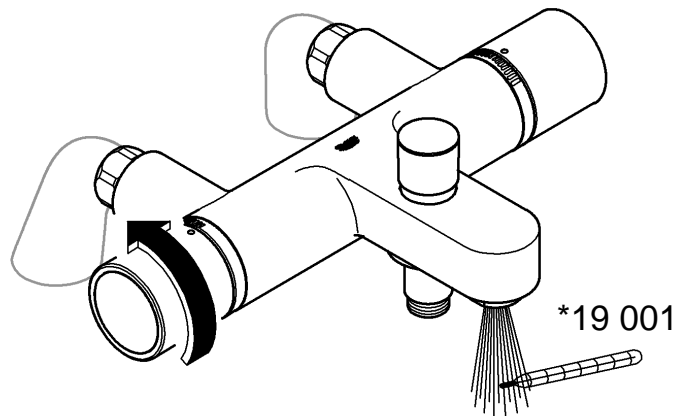


Please pass these instructions on to the end user of the fitting!

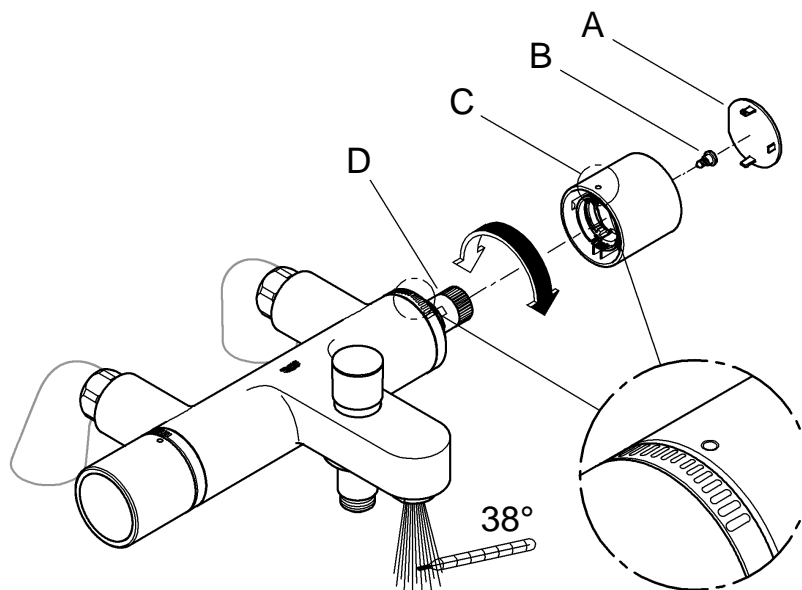
1

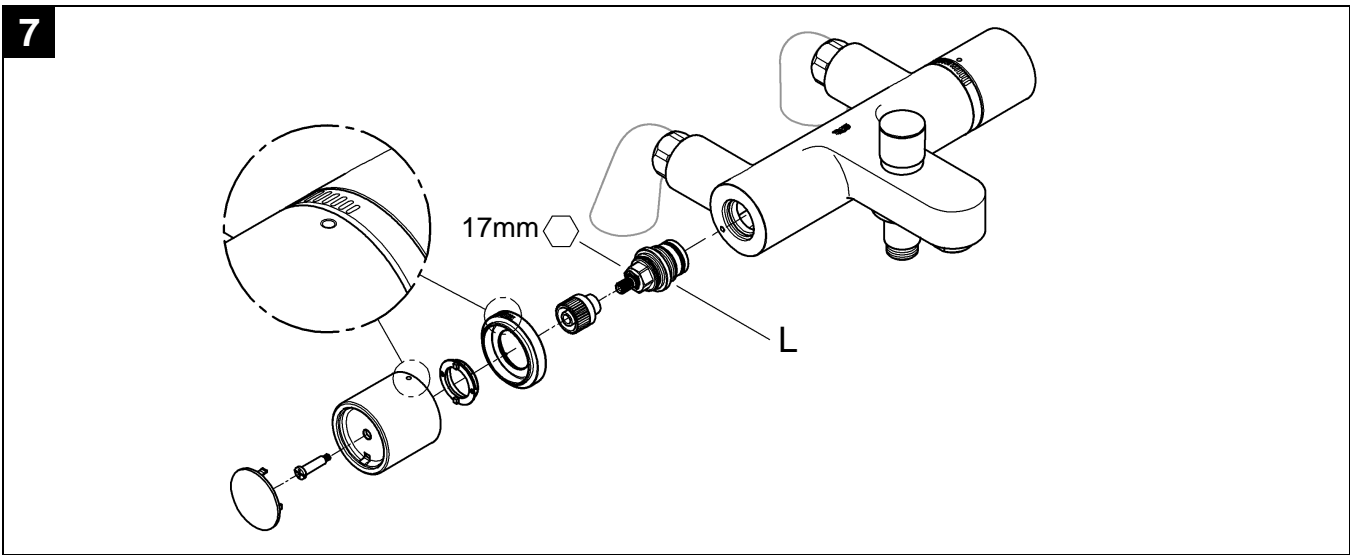
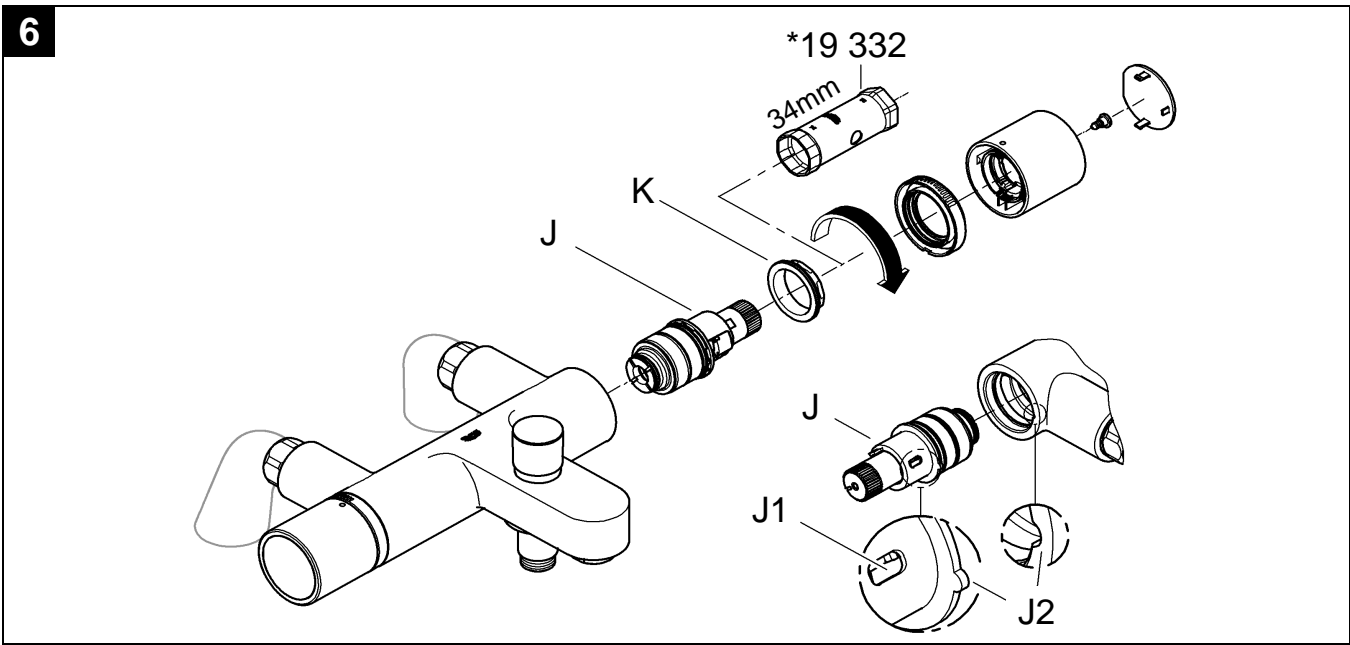
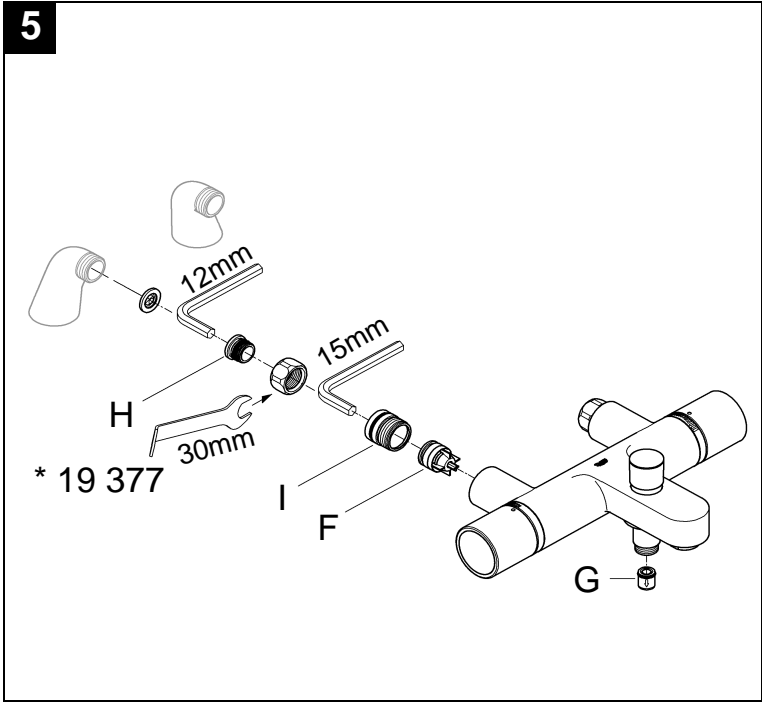
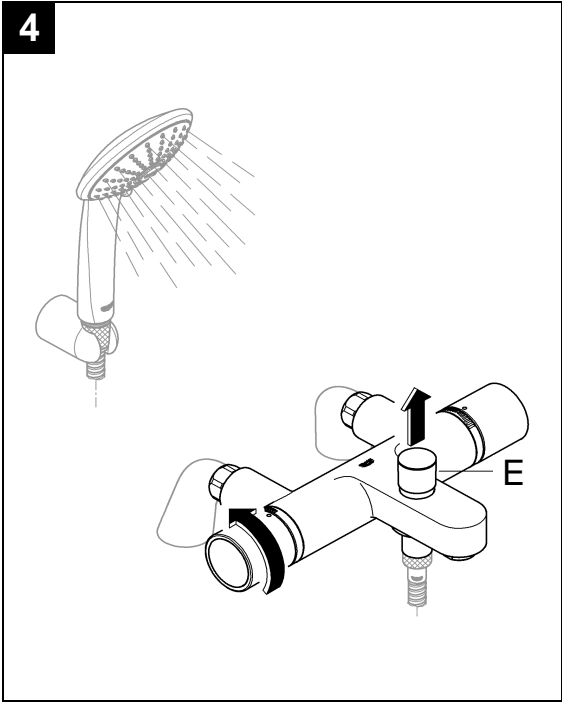


2



3







## Application

Thermostat mixers are designed for hot water supply via pressurised storage heaters and, utilised in this way, provide the best temperature accuracy. With sufficient power output (from 18 kW or 250 kcal/min), electric or gas instantaneous heaters are also suitable.

Thermostats **cannot** be used in conjunction with non-pressurised storage heaters (displacement water heaters).

All thermostats are adjusted in the factory at a flow pressure of 3 bar on both sides.

Should temperature deviations occur on account of special installation conditions, the thermostat must be adapted to local conditions (see Adjusting).

## Specifications

	limits of use	recommended limits for correct operation
Dynamic pressure	0,1 to 1 bar	0,2 to 1 bar
Mechanical strength	static pressure 10 bar	
Test pressure	16 bar	

Avoid major pressure differences between cold and hot water supply.

- Maximum pressure difference: 5: 1
  - Flow rate at 0.2 bar flow pressure without downstream restrictor: approx. 15 l/min
  - Temperature
    - Hot water inlet (maximum): 80 °C
    - Recommended (energy saving): 60 °C
  - Water connection cold - right hot - left 5 l/min
- Minimum flow rate:

## Installation

**Flush piping system prior and after installation of fitting thoroughly** (Consider EN 806)!

Screw-mount the mixer, see fold-out page II, Fig. [1]. Refer to the dimensional drawings on fold-out page I. The projection can be increased by 20mm with an extension, see Replacement Parts, fold-out page I, Prod. no. 07 130.

For better fixing into dry-lined walls a mounting frame can be used (see Replacement Parts, fold-out page I, Prod. no.: 18 153).

With pillar union 18 121 or 18 066 (see Replacement Parts, fold-out page I) fitting distance 150mm can be switched to 180mm bathtub rim.

## Adjustment

**Temperature adjustment**, see Figs. [2] and [3].

1. Open the shut-off valve and check the temperature of the water with a thermometer, see Fig. [2].
2. Lever out cap (A), see Fig. [3].
3. Remove screw (B).
4. Detach temperature control handle (C).
5. Turn regulating nut (D) until the water temperature has reached 38 °C.

Install in reverse order.

**Check operation of automatic diverter (E)**, see fold-out page III, Fig. [4].

Flow is diverted automatically from shower outlet to bath inlet when the fitting is closed.

## Prevention of frost damage

When the domestic water system is drained, thermostat mixers must be drained separately, since non-return valves are installed in the hot and cold water connections. For this purpose, the mixer must be removed from the wall.

## Maintenance

Inspect and clean all parts, replace if necessary and lubricate with special valve grease.

**Shut off the hot and cold water supply.**

**I. Non-return valve (F) or (G)**, see fold-out page III, Fig. [5].

- Remove connection nipple (H) by turning clockwise (left-hand thread) using a 12mm allen key.
- Remove connection nipple (I) by turning clockwise (left-hand thread) using a 15mm allen key.

Install in reverse order.

**II. Thermostatic compact cartridge (J)**, see fold-out page III, Fig. [6].

- Loosen screw ring (K) using a 34mm tool.
- If necessary, lever out thermostatic compact cartridge (J) via recess (J1).
- Remove screw ring (K).

Install in reverse order.

**Observe the correct installation position of the thermostatic compact cartridge (J)**, see detail (J2).

Readjustment is necessary after every maintenance operation on the thermostatic compact cartridge (see Adjusting).

**III. Ceramic headpart (L)**, see fold-out page III, Fig. [7].

**IV. Unscrew and clean flow straightener (47 908)**, see fold-out page I.

**Replacement Parts**, see fold-out pages I (\* = special accessories).

## Care

**Dear Customer,**

We want to ensure that you get long-lasting satisfaction and pleasure from your GROHE fitting. Therefore, please read the following care instructions because damage to the surface and underlying material resulting from improper treatment is not covered by warranty.

Do not use any abrasive sponges or scouring agents for cleaning. We also advise you not to use cleaning agents containing solvent or acid, limescale removers, household vinegar and cleaning agents with acetic acid in them. They are aggressive to the surface - and will leave your fitting dull and scratched. As the formulations of commercially available cleaning agents frequently change, we cannot guarantee they will provide the gentle care our fitting deserves.

Clean the fitting with a little soap and a moist cloth only, then simply rinse off and wipe dry. You can avoid lime spots by drying the fitting each time it is used. If lime deposits do occur, remove them with **GrohClean**, our environment-friendly cleaning liquid. **GrohClean** is specially formulated to clean the surface of our fittings gently. **GrohClean** is available from your supplier.

**D**  
☎ +49 571 3989 333  
impresum@grohe.de

**A**  
☎ +43 1 68060  
info-at@grohe.com

**AUS**  
**Argent Sydney**  
☎ +(02) 8394 5800  
**Argent Melbourne**  
☎ +(03) 9682 1231

**B**  
☎ +32 16 230660  
info.be@grohe.com

**BG**  
☎ +359 2 9719959  
grohe-bulgaria@grohe.com

**CAU**  
☎ +99 412 497 09 74  
info-az@grohe.com

**CDN**  
☎ +1 888 6447643  
info@grohe.ca

**CH**  
☎ +41 448777300  
info@grohe.ch

**CN**  
☎ +86 21 63758878

**CY**  
☎ +357 22 465200  
info@grome.com

**CZ**  
☎ +420 277 004 190  
grohe-cz@grohe.com

**DK**  
☎ +45 44 656800  
grohe@grohe.dk

**E**  
☎ +34 93 3368850  
grohe@grohe.es

**EST**  
☎ +372 6616354  
grohe@grohe.ee

**F**  
☎ +33 1 49972900  
marketing-fr@grohe.com

**FIN**  
☎ +358 10 8201100  
teknocalor@teknocalor.fi

**GB**  
☎ +44 871 200 3414  
info-uk@grohe.com

**GR**  
☎ +30 210 2712908  
nsapountzis@ath.forthnet.gr

**H**  
☎ +36 1 2388045  
info-hu@grohe.com

**HK**  
☎ +852 2969 7067  
info@grohe.hk

**I**  
☎ +39 2 959401  
info-it@grohe.com

**IND**  
☎ +91 124 4933000  
customercare.in@grohe.com

**IS**  
☎ +354 515 4000  
jonst@byko.is

**J**  
☎ +81 3 32989730  
info@grohe.co.jp

**KZ**  
☎ +7 727 311 07 39  
info-cac@grohe.com

**LT**  
☎ +372 6616354  
grohe@grohe.ee

**LV**  
☎ +372 6616354  
grohe@grohe.ee

**MAL**  
☎ +1 800 80 6570  
info-singapore@grohe.com

**N**  
☎ +47 22 072070  
grohe@grohe.no

**NL**  
☎ +31 79 3680133  
vragen-nl@grohe.com

**NZ**  
☎ +09/373 4324

**P**  
☎ +351 234 529620  
commercial-pt@grohe.com

**PL**  
☎ +48 22 5432640  
biuro@grohe.com.pl

**RI**  
☎ +62 21 2358 4751  
info-singapore@grohe.com

**RO**  
☎ +40 21 2125050  
info-ro@grohe.com

**ROK**  
☎ +82 2 559 0790  
info-singapore@grohe.com

**RP**  
☎ +63 2 8041617

**RUS**  
☎ +7 495 9819510  
info@grohe.ru

**S**  
☎ +46 771 141314  
grohe@grohe.se

**SGP**  
☎ +65 6 7385585  
info-singapore@grohe.com

**SK**  
☎ +420 277 004 190  
grohe-cz@grohe.com

**T**  
☎ +66 2610 3685  
info-singapore@grohe.com

**TR**  
☎ +90 216 441 23 70  
GroheTurkey@grome.com

**UA**  
☎ +38 44 5375273  
info-ua@grohe.com

**USA**  
☎ +1 800 4447643  
us-customerservice@grohe.com

**VN**  
☎ +84 8 5413 6840  
info-singapore@grohe.com

**AL** **BiH** **HR** **KS**  
**ME** **MK** **SLO** **SRB**  
☎ +385 1 2911470  
adria-hr@grohe.com

**Eastern Mediterranean,  
Middle East - Africa  
Area Sales Office:**  
☎ +357 22 465200  
info@grome.com

**IR** **OM** **UAE** **YEM**  
☎ +971 4 3318070  
grohedubai@grome.com

**Far East Area Sales Office:**  
☎ +65 6311 3600  
info@grohe.com.sg