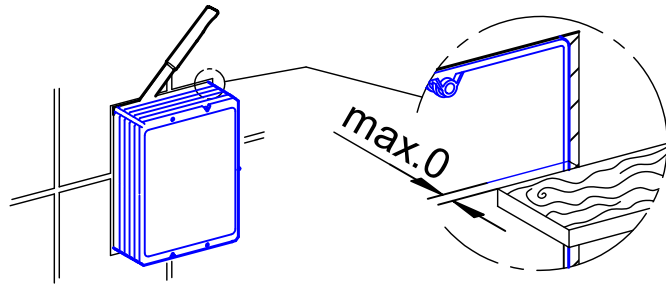
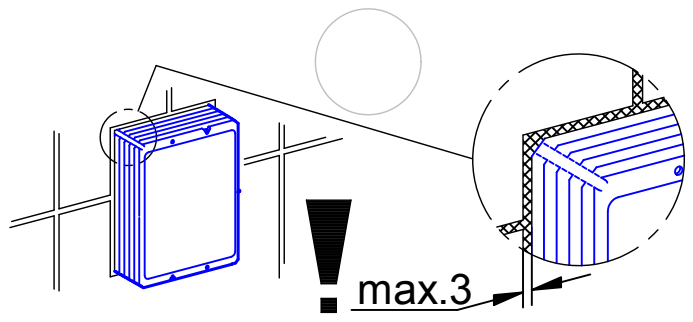
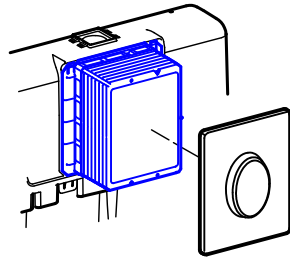
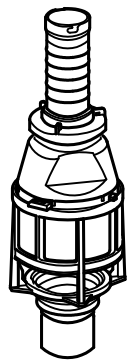


**GROHE**  
ENJOY WATER®



93.374.131/ÄM 224497/03.12