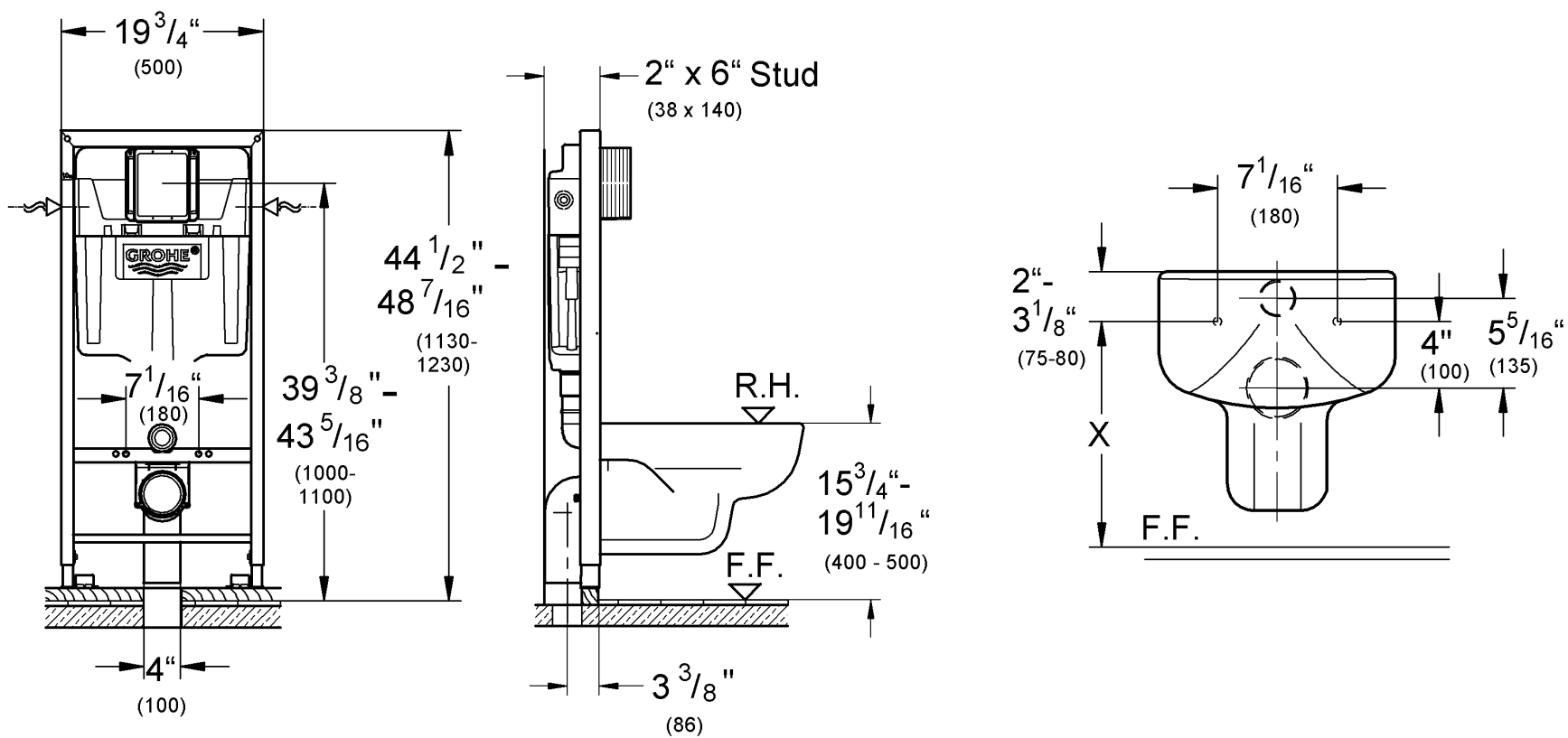
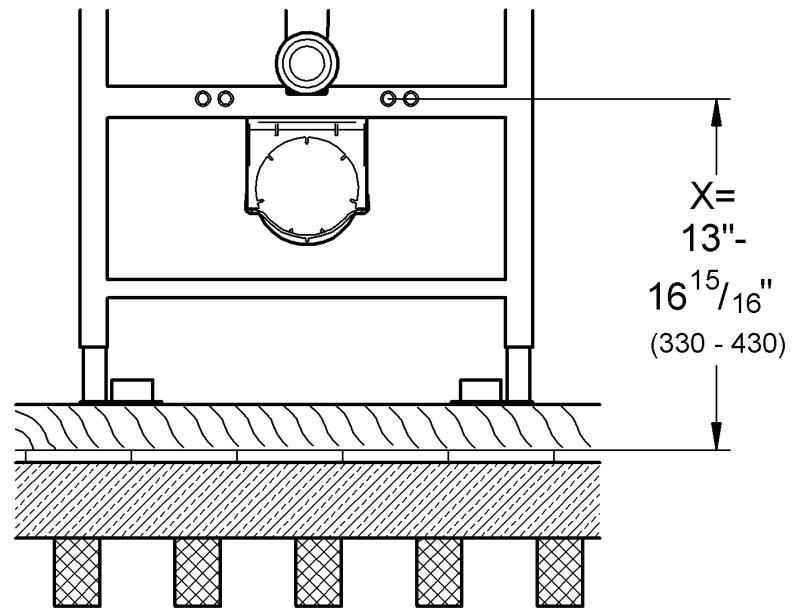
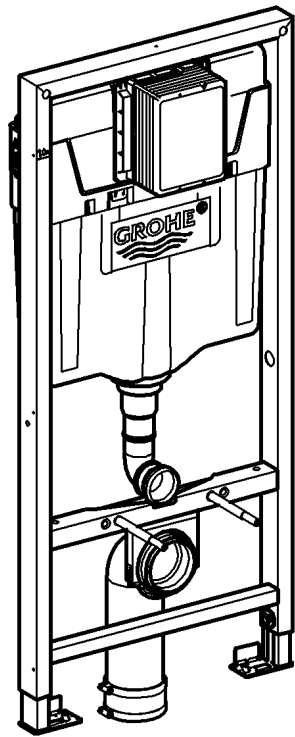


38 749



Concealed Tank and Carrier

The GROHE concealed water closet tank and carrier are adjustable for bowl rim height 15³/₄" to 19¹¹/₁₆" to be used with an IAPMO listed 1.6 GBF wall hung bowl. Requires 1/2" water supply and 3" nominal outlet.

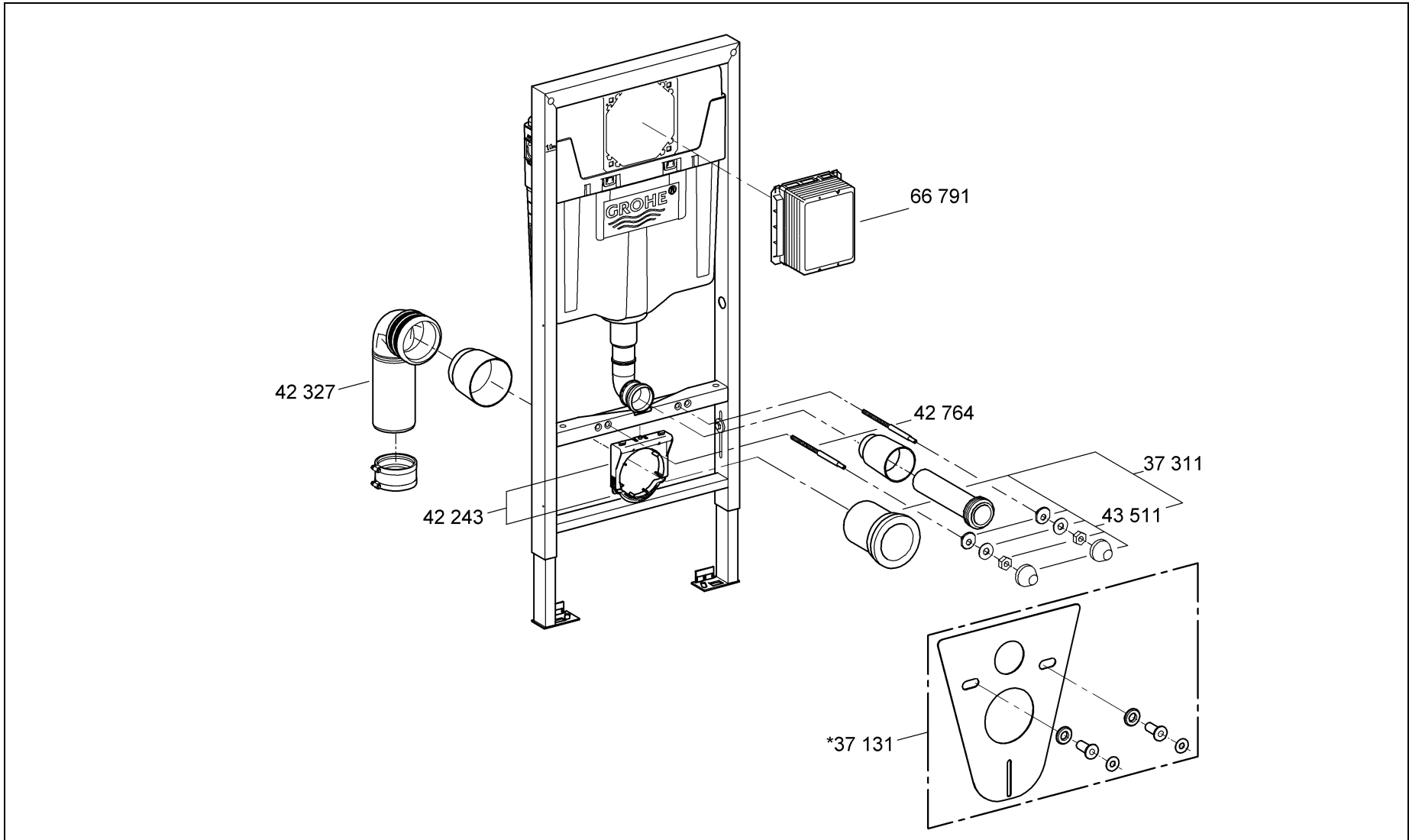
In compliance with:
A 112.6.2

Rapid SL

Design & Quality Engineering GROHE Germany

94.507.531/ÄM 221606/09.11





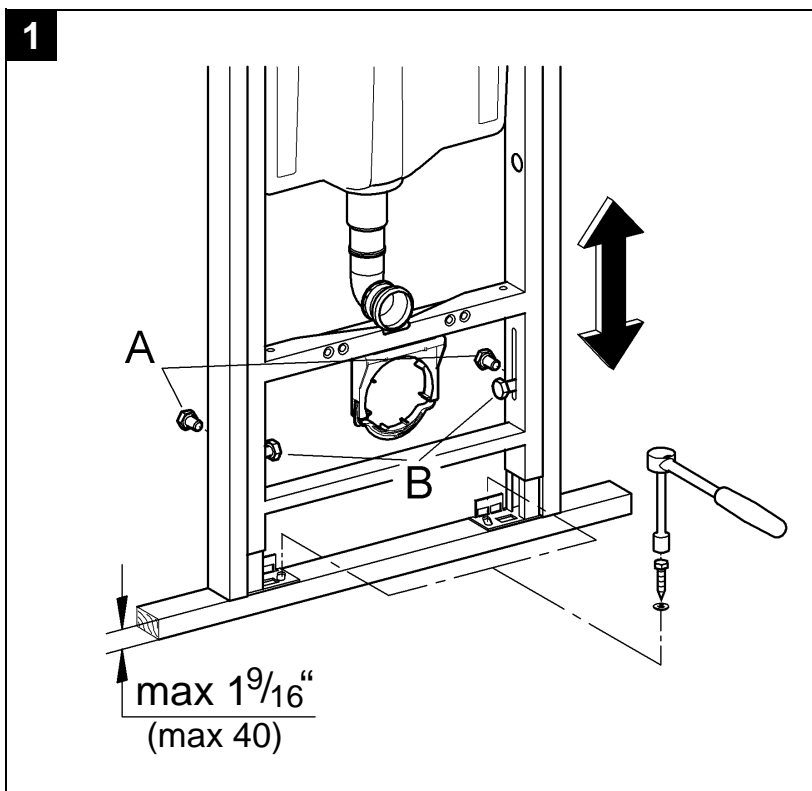
The tank and carrier are designed to fit within a 2" x 6" wood frame (or equal) construction. The studs must be placed $19\frac{3}{4}$ " apart at the location where the unit will be positioned prior to installation into the wall. The carrier legs must be adjusted for the finished rim height of the water closet bowl. The dimensions may be taken from the bowl or from the specification sheet. Be sure to allow for finished floor covering.

Finished rim height must be determined prior to installation.

NOTE: The 2" x 6" frame work must be affixed firmly to the floor and ceiling for a safe installation. An opening of $5\frac{1}{2}$ " x $7\frac{1}{2}$ " must be provided on finished wall for access into the tank and placement of actuator panel and panel frame.

STEP 1: Locate studs as specified, and secure with additional nails. Insure rough openings are proper, plumb, and square.

STEP 2: Position the carrier unit in the prepared opening. **The metal frame must be flush with the face of the surrounding studs** so that maximum support for the later applied sheeting is accomplished. With the unit still in place, mark all anchor hole locations on sole plate and studs. Also mark the location for the 3" DWV discharge pipe. At the same time indicate the position for the water supply, either from the top or rear into the tank.

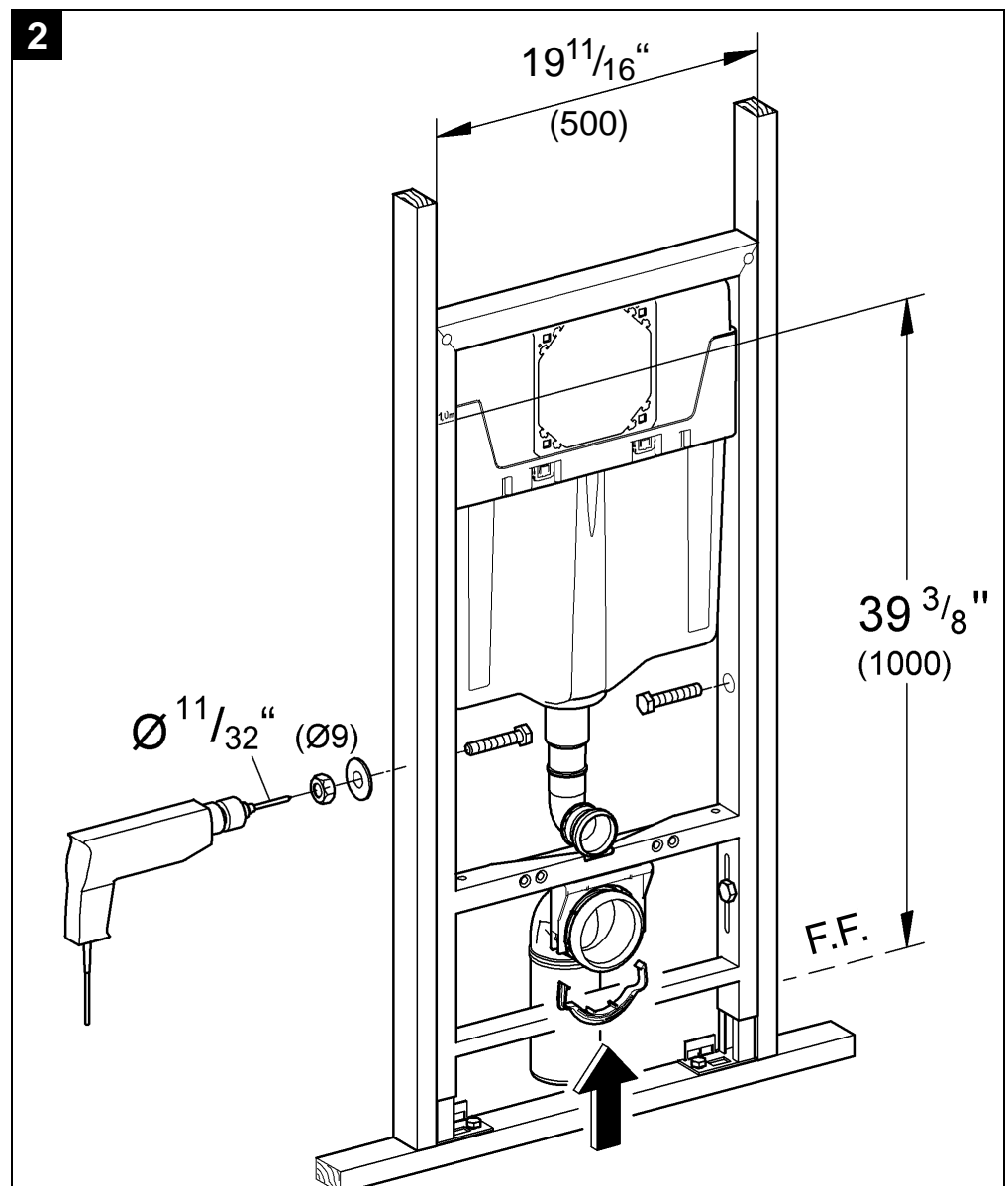


STEP 3:

Drill two (2) pilot holes ($\frac{3}{16}$ ") for the supplied lag screws where marked on floor plate, see fig. [1]. Unscrew bolts (A, B) and pull out carrier unit from framework. Adapt framework to the height of the floor structure and pull tight bolts (A), then bolts (B).

Also drill two bolt holes ($\frac{11}{32}$ ") where marked on framework, see fig. [2].

For the fixture discharge pipe bore a 4" hole $3\frac{3}{8}$ " from front edge of plate to center through plate and floor.

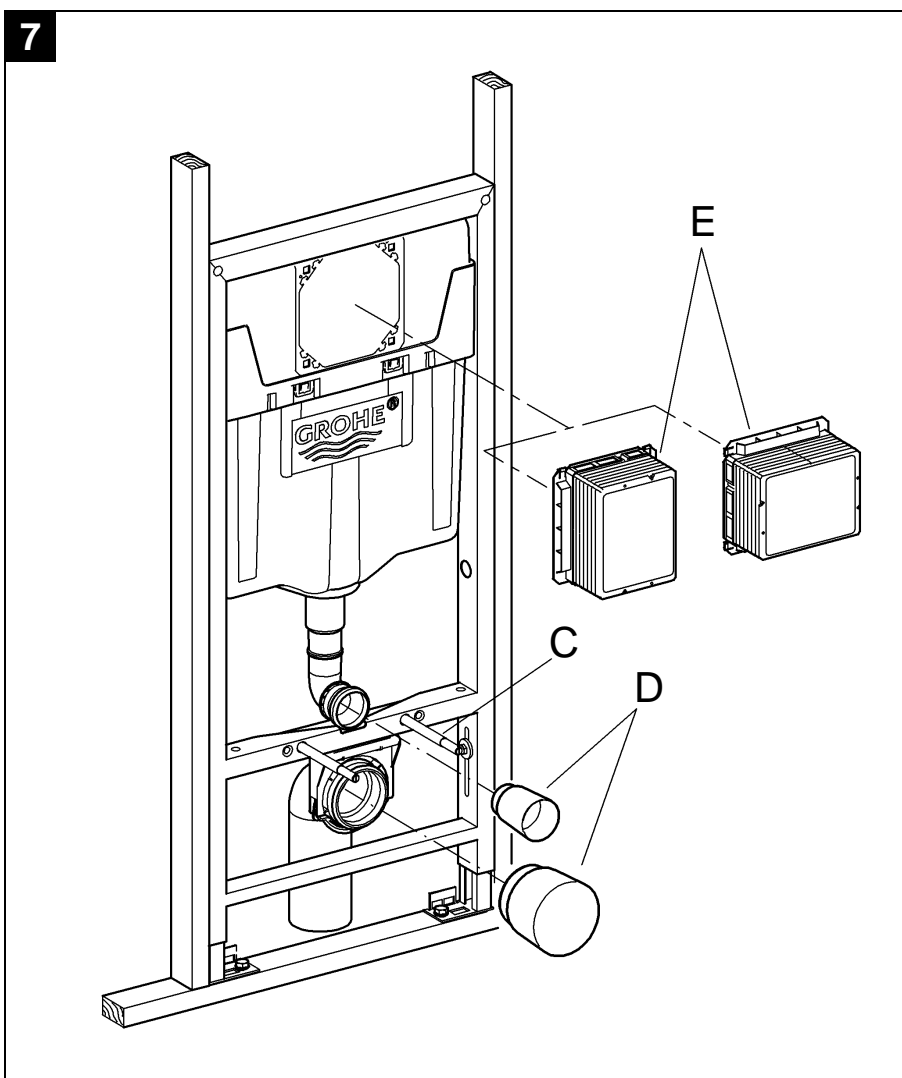
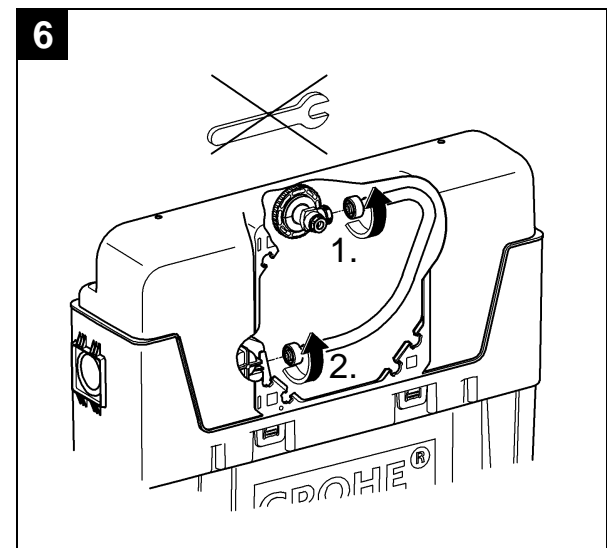
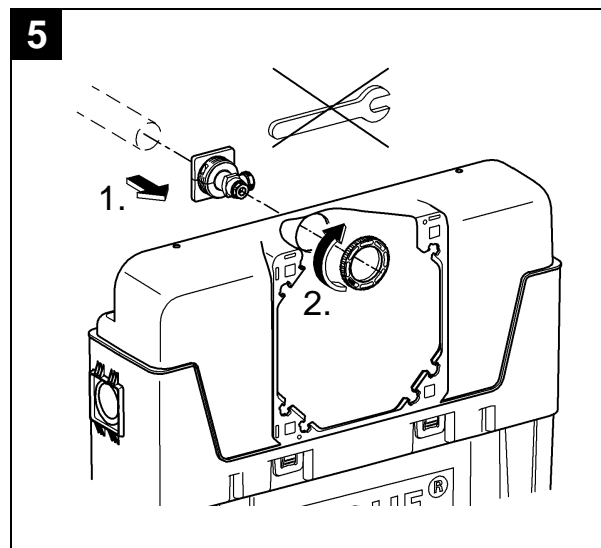
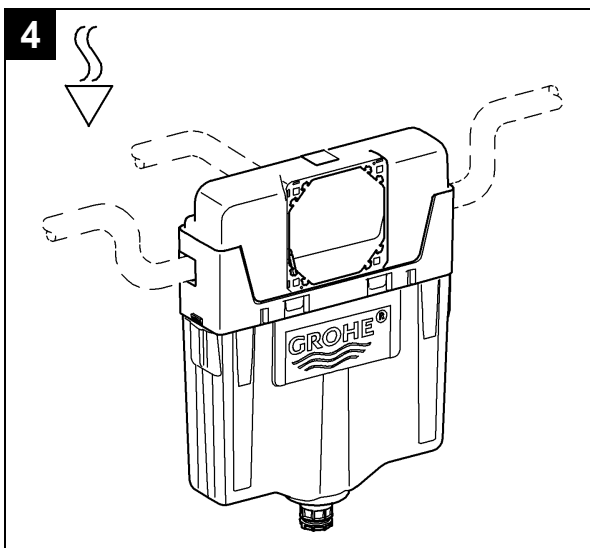
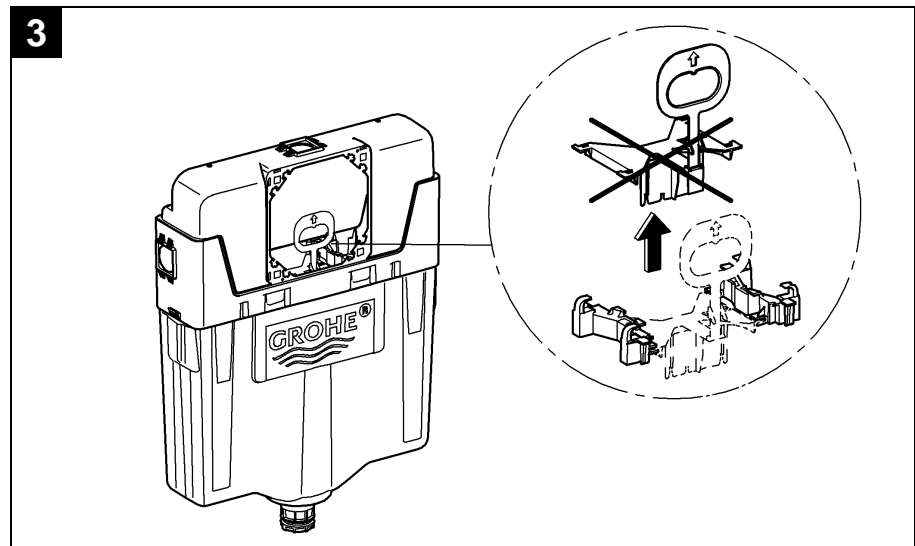


STEP 4: Install 3" DWV waste pipe through floor and connect to waste line (i.e. PVC, copper, cast iron).

STEP 5: Set carrier unit back in place into the wall frame and bolt in place with hardware provided.

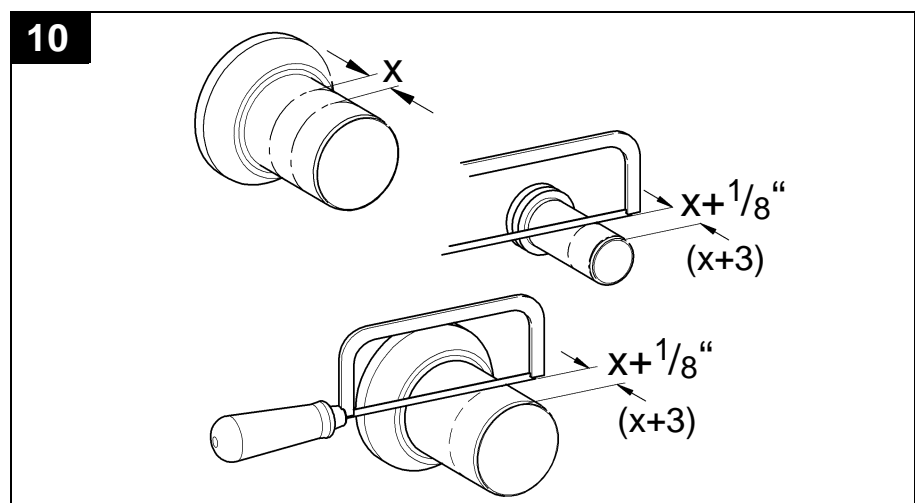
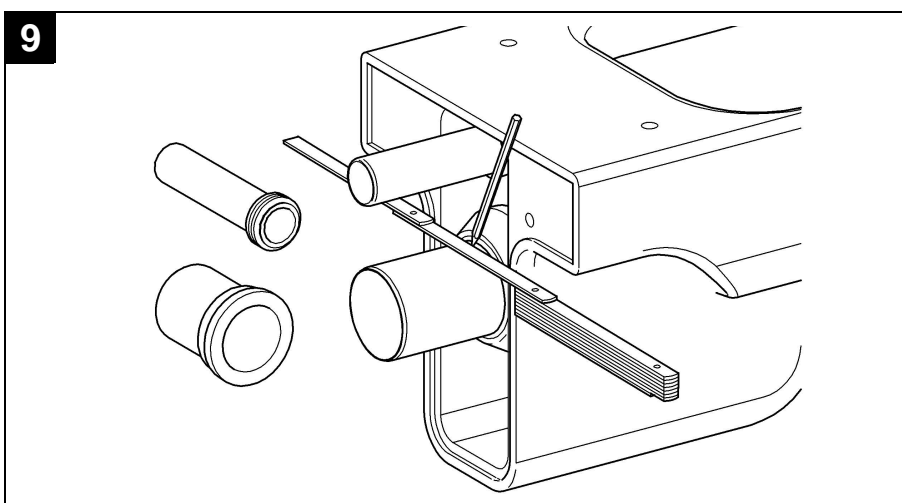
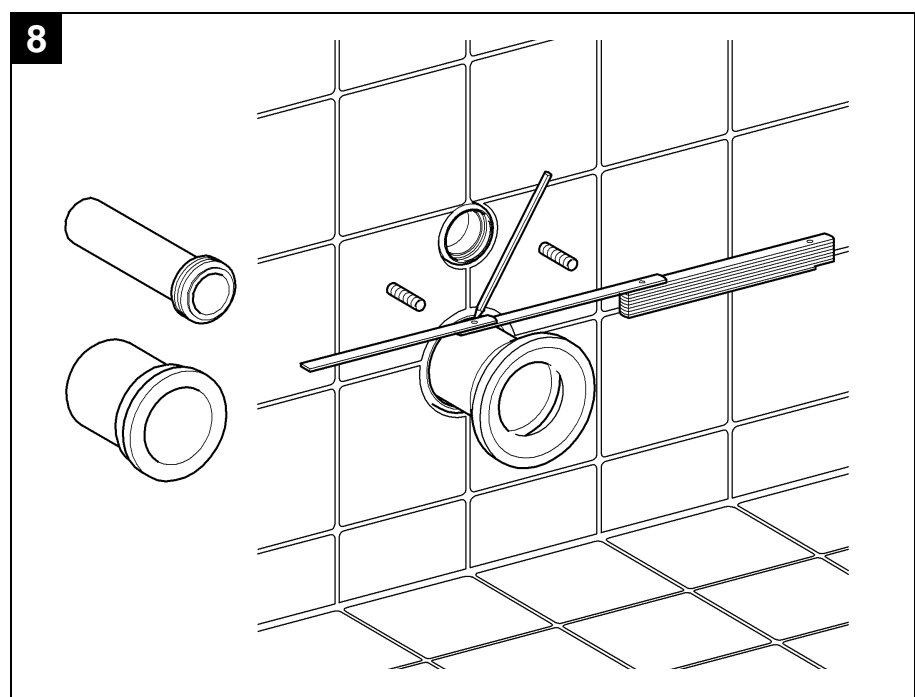
STEP 6: Complete waste elbow connection with 3" DWV flex coupling to waste line.

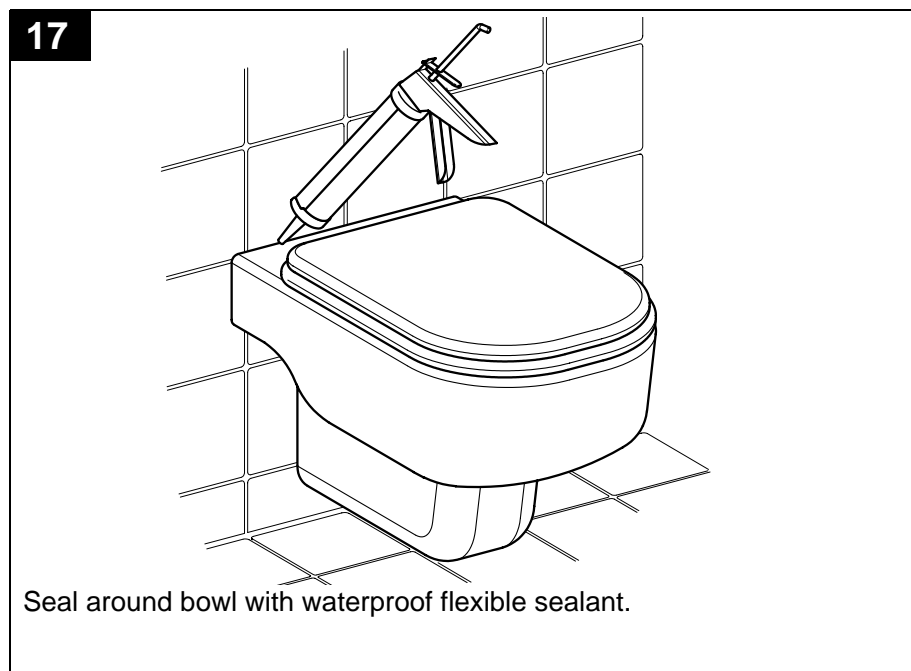
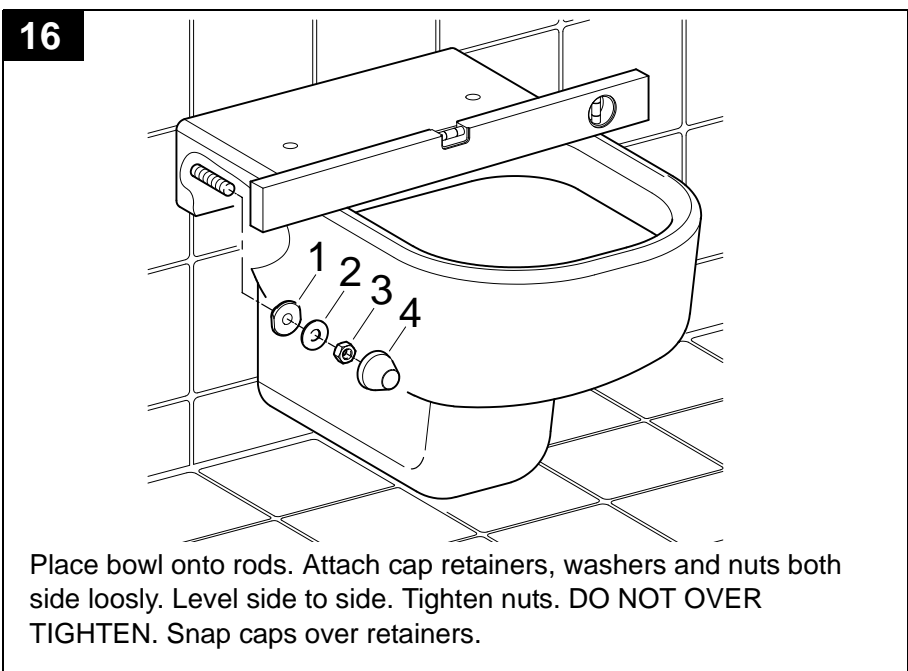
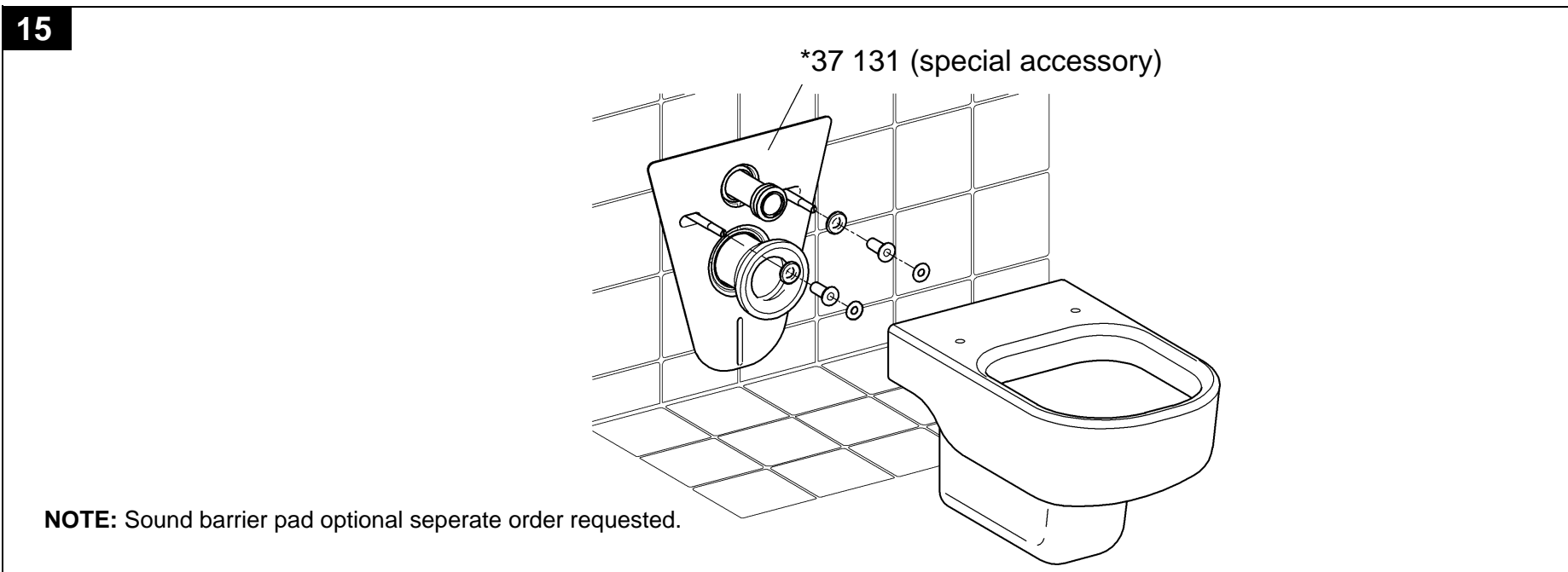
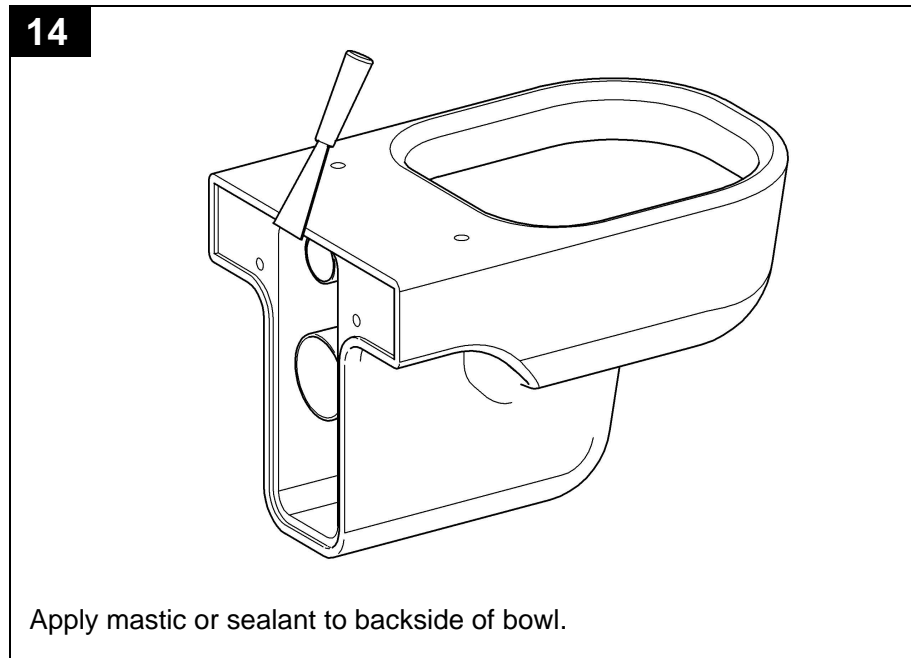
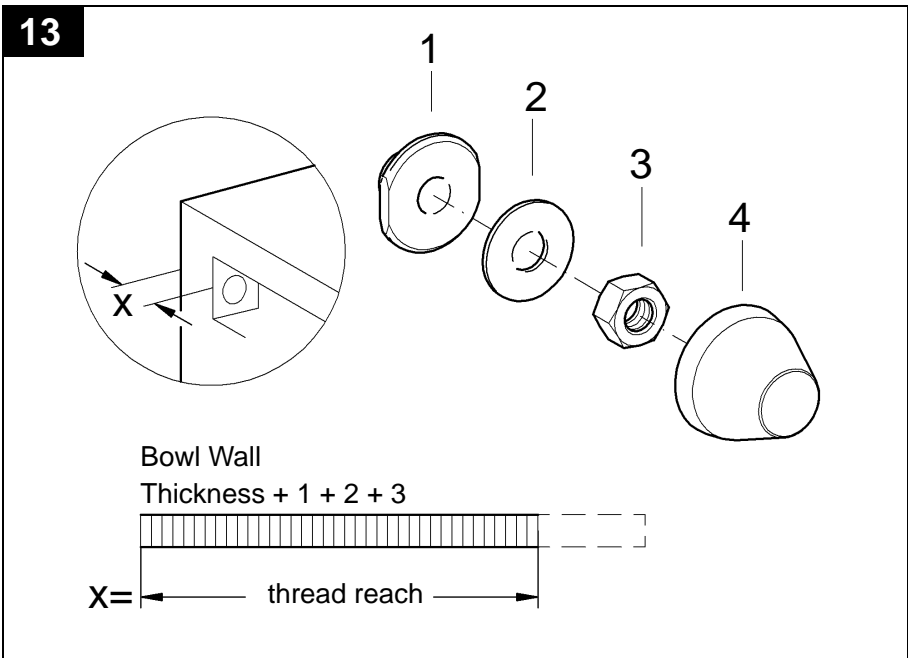
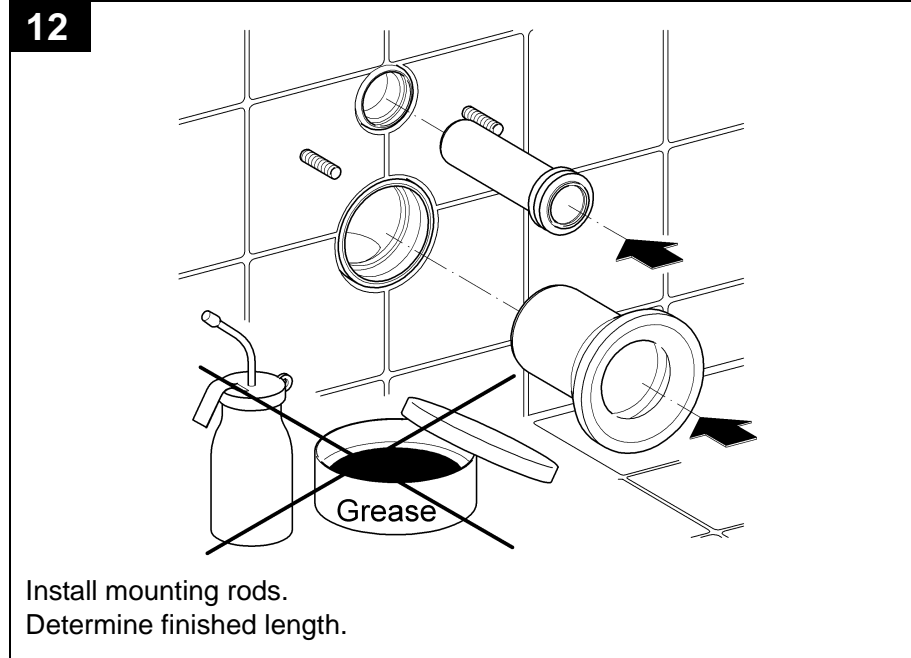
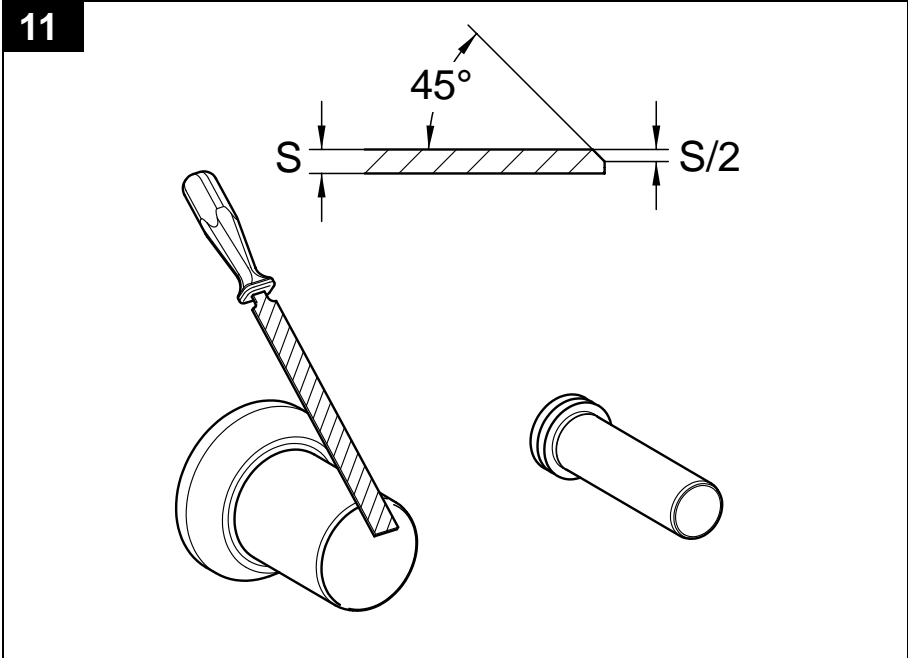
STEP 7: Remove the middle part of the cross bar. Install shutoff valve and mud guard in the tank opening.

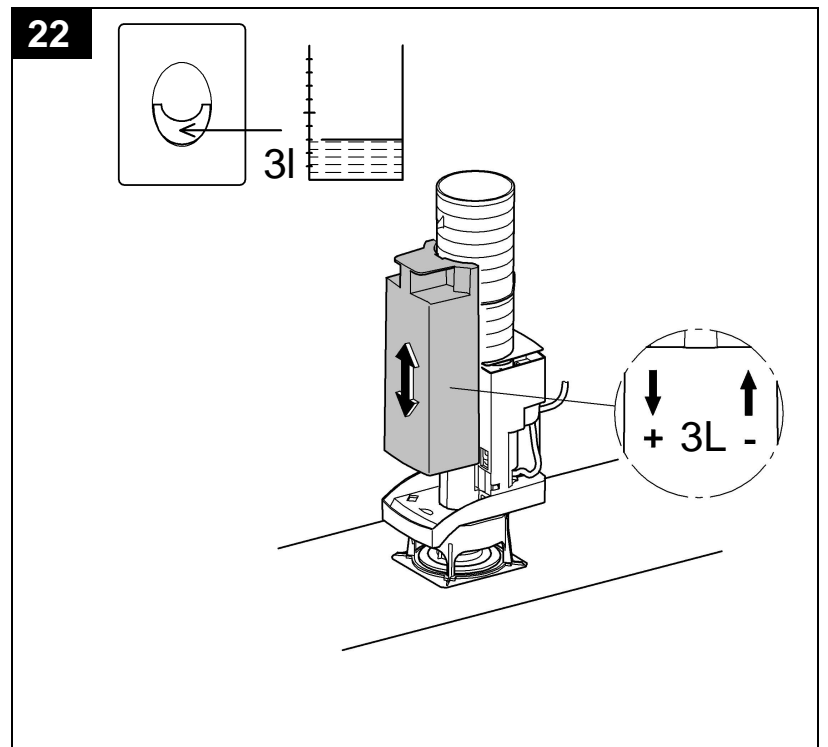
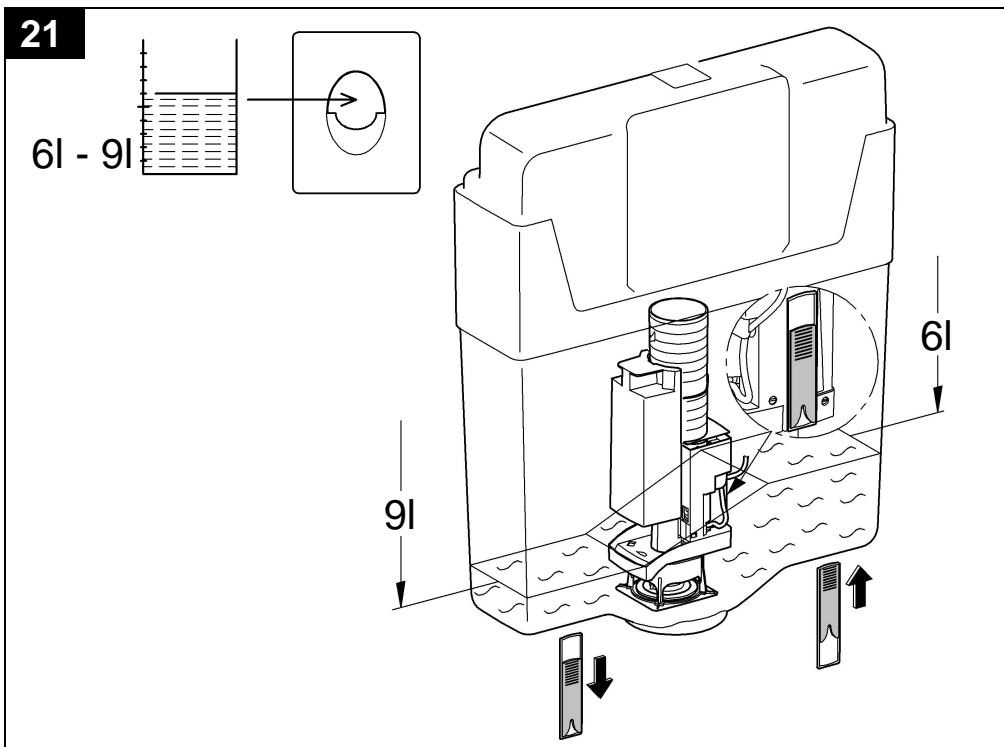
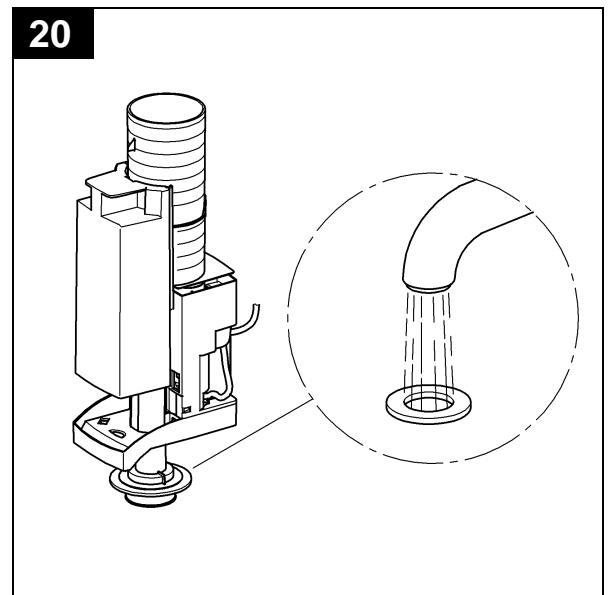
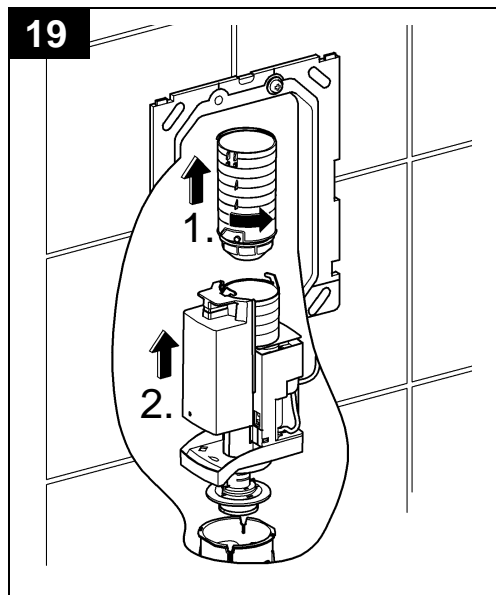
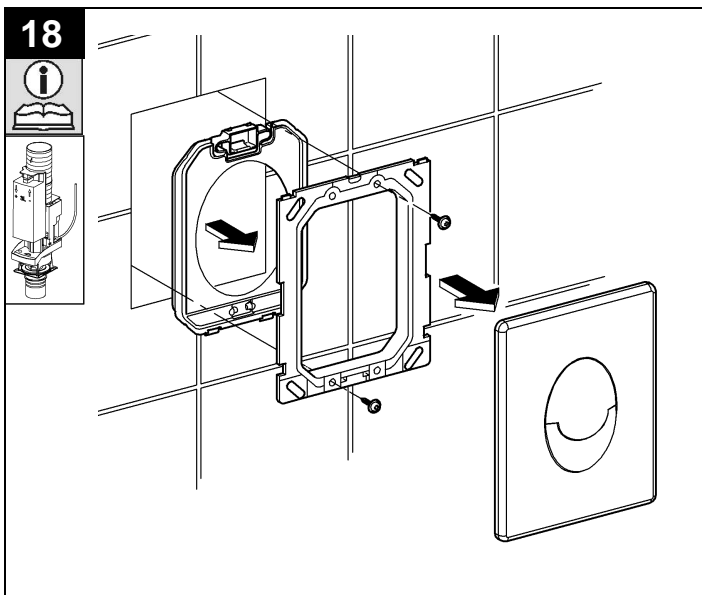
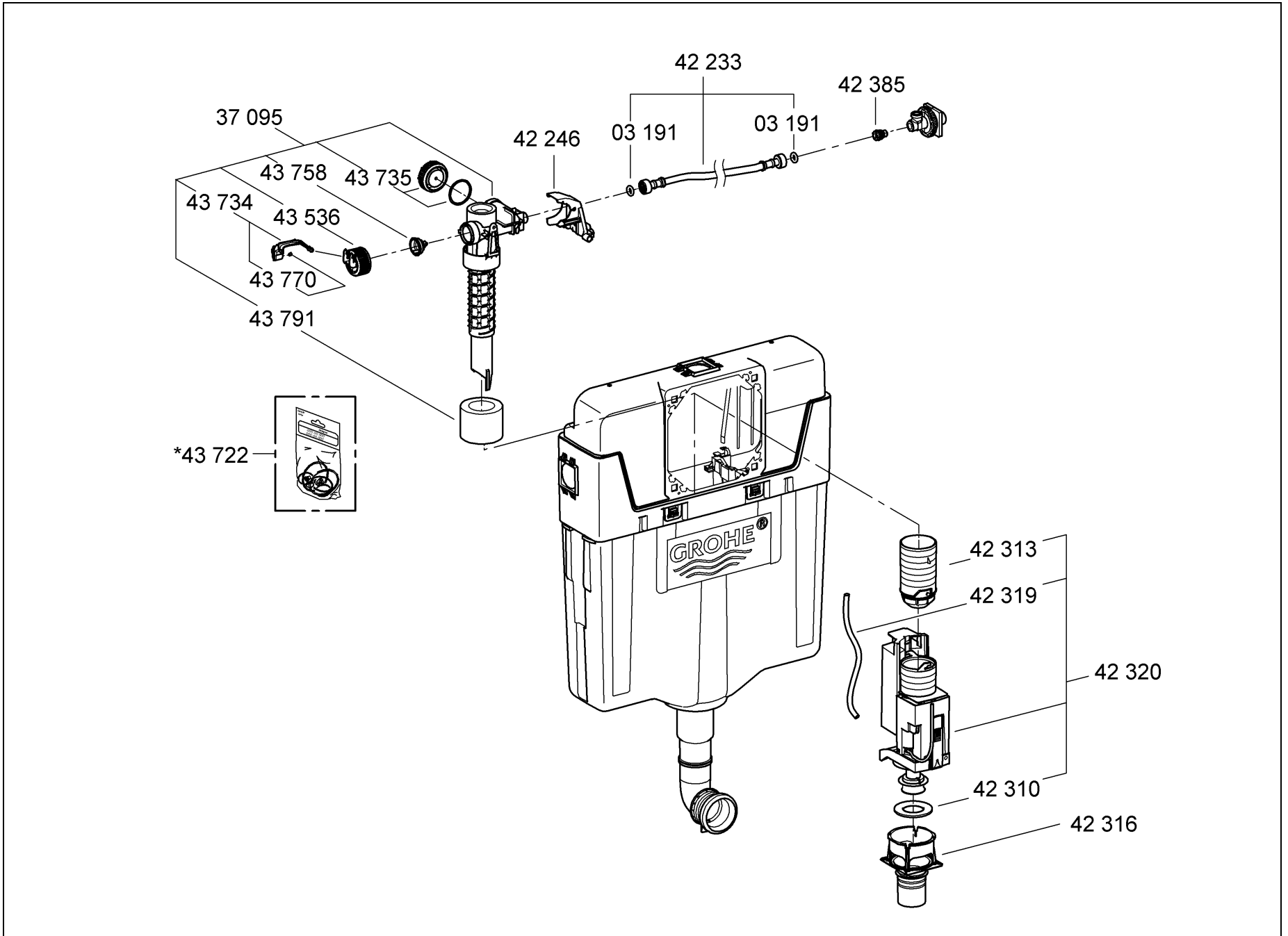


STEP 8: Install two 1/2" x 6" fixture support rods with plastic sleeves (C), the pipe caps (D) and mud guard (E) are mounted for protection during wall surface construction, see fig. [6].

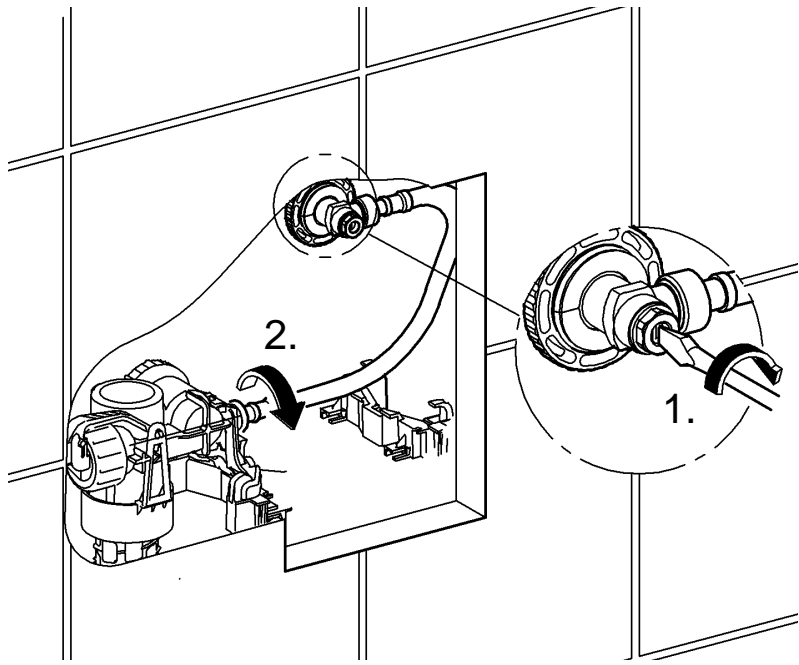
STEP 9: FiberBond wallboard, 1/2" tile backer board or plywood with a ceramic tile surface would be most suitable materials recommended for wall finish in order to support the wall hung toilet bowl. Holes in wallboard for ceramic bolts must be 1" (25).



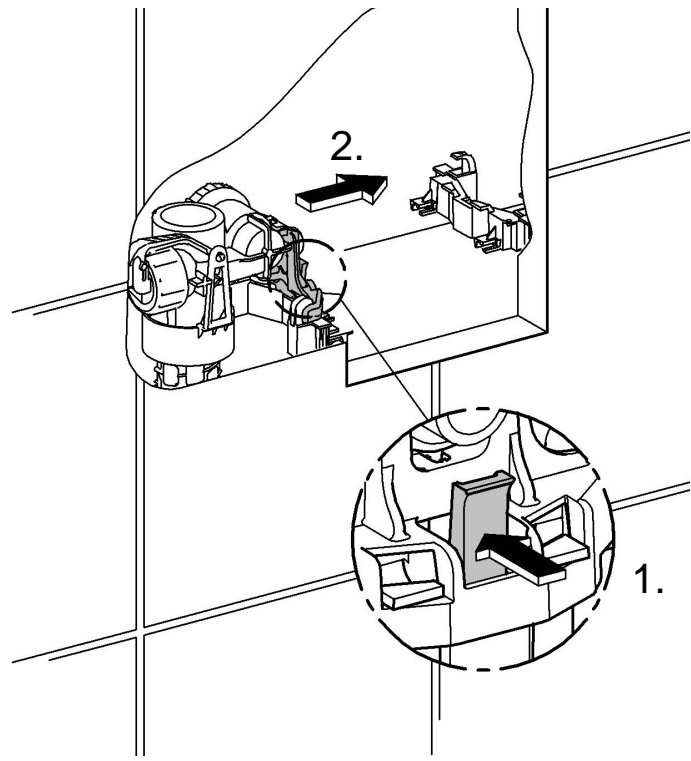




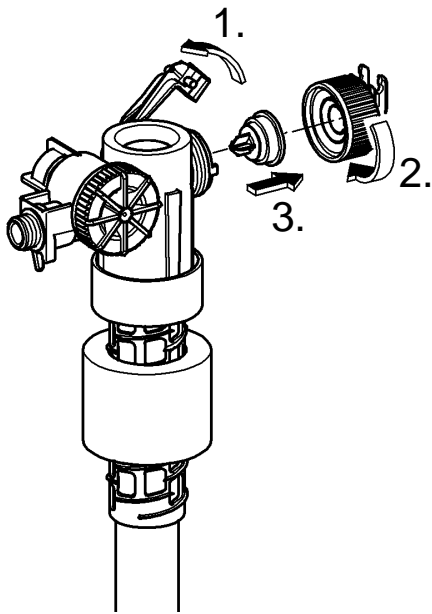
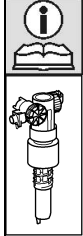
23



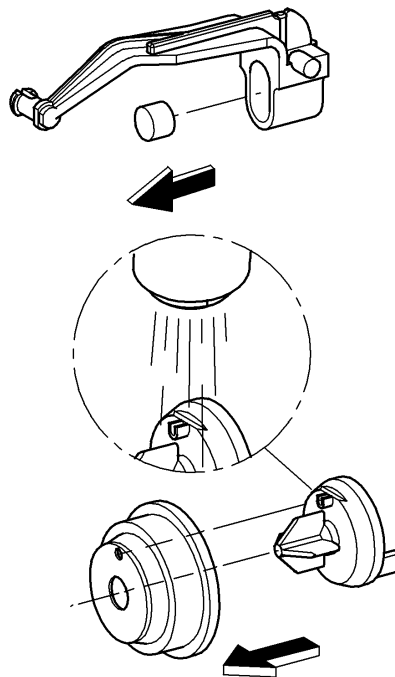
24



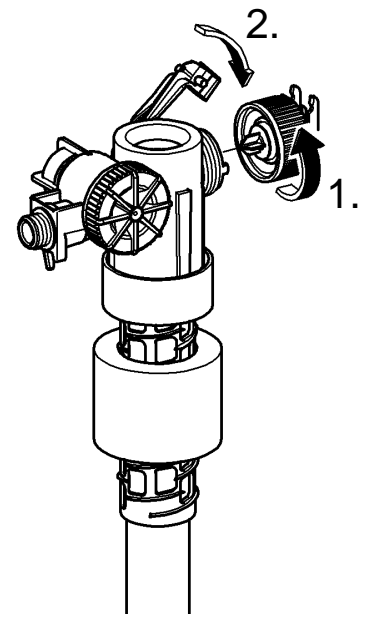
25



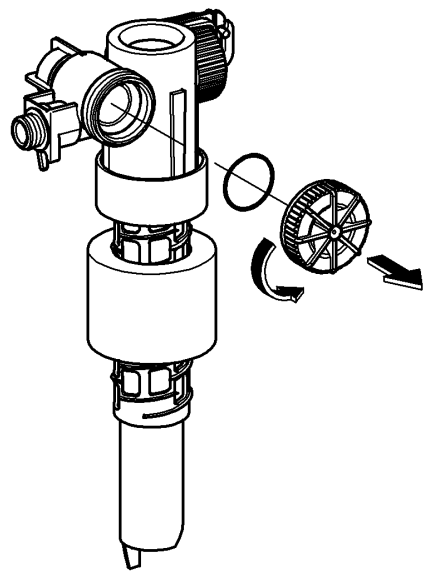
26



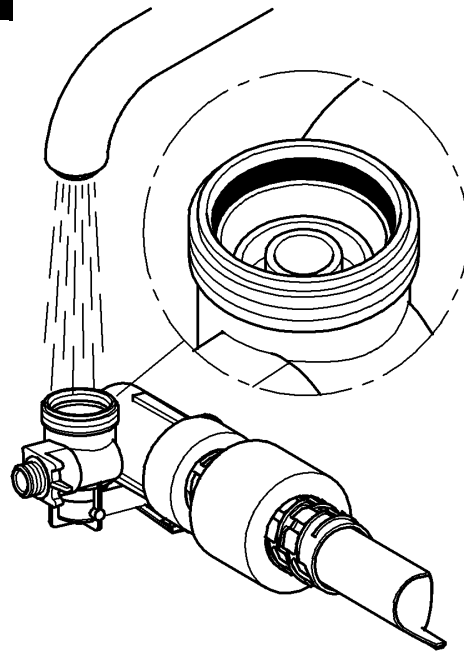
27



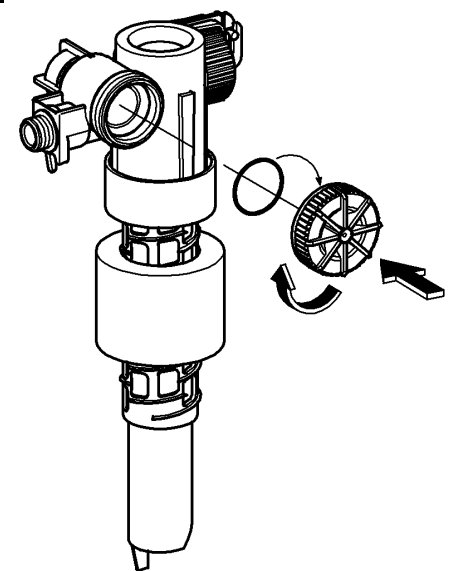
28

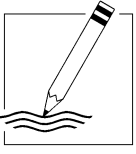


29



30





A series of 25 horizontal lines spanning the width of the page, providing a template for handwriting practice. The lines are evenly spaced and extend from the left margin to the right edge of the page.

LIMITED WARRANTY

Flushing System Products: GROHE provides the following warranties on its flushing system products to the original purchaser, installed in a residential application. Flushing system products must be installed in accordance with local plumbing codes; GROHE does not extend this warranty to (nor implies) local code compliance.

A Limited Lifetime Warranty is provided on the carrier and tank shell to be free from manufacturing defects in materials and workmanship under normal use for as long as the original purchaser owns their home.

A Ten-Year Limited Warranty is provided on the flushing mechanism (fill and discharge valves) to be free from manufacturing defects in materials and workmanship under normal use for as long as the original purchaser owns their home.

At its option, GROHE will repair or replace any part that proves to be defective in material and/or workmanship under normal installation, use and service.

To obtain warranty repair or replacement the faulty part or product is to be sent along with proof-of-purchase (original sales receipt) from the original consumer purchaser to:

GROHE America, Inc. • 241 Covington Drive • Bloomingdale, IL 60108

Telephone inquiries can be directed to: 630.582.7711

This warranty is extended to the original consumer owner, but does not cover installation or any other labor charges and shall not apply to any products or parts of products which have been:

- a) Repaired by unqualified persons or not using original GROHE spare parts or altered in any manner unless previously authorized in writing by GROHE; or
- b) Damaged as a result of misuse, negligence, accident or faulty installation or maintenance; or
- c) Installed or used in a manner contrary to GROHE's printed instructions; or
- d) Damaged by the effects of dirt, limescale or aggressive cleaners.

This is the exclusive warranty by GROHE, which does not make any other warranty of any kind, including the implied warranty of merchantability.

This warranty excludes all industrial, commercial, and business usage whose purchasers are extended a one (1) year limited warranty from the date of purchase, with all other terms of this warranty. (See following for commercial products.)

Commercial Products: Grohe warrants its products installed in a commercial application to be free from manufacturing defects for a period of one (1) year from the date of acquisition by original owner. Replaced products or parts are warranted only for the period remaining under the initial warranty.

THIS WARRANTY IS LIMITED SOLELY TO THE ABOVE AND THIS WARRANTY AND ANY WARRANTIES IMPLIED BY STATE LAW WILL APPLY ONLY FOR THE APPLICABLE WARRANTY PERIOD SPECIFIED HEREIN. ALSO, GROHE WILL NOT BE LIABLE FOR ANY LOSS, DAMAGE, EXPENSE OR INCIDENTAL OR CONSEQUENTIAL DAMAGES OF ANY KIND, WHETHER BASED ON WARRANTY, CONTRACT OR NEGLIGENCE AND ARISING IN CONNECTION WITH THE SALE, USE OR REPAIR OF THE PRODUCT. SOME STATES DO NOT ALLOW THE EXCLUSION OR LIMITATION OF CONSEQUENTIAL DAMAGE OR LIMITATIONS ON HOW LONG AN IMPLIED WARRANTY LASTS, SO THE ABOVE LIMITATIONS OR EXCLUSIONS MAY NOT APPLY. THIS WARRANTY GIVES YOU SPECIFIC LEGAL RIGHTS, AND YOU MAY ALSO HAVE OTHER RIGHTS WHICH VARY FROM STATE TO STATE. UNLESS OTHERWISE CONTRARY TO STATE LAW GOVERNING THE PURCHASE, GROHE'S LIABILITY WILL NOT EXCEED THE CONTRACT PRICE FOR THE PRODUCT CLAIMED TO BE DEFECTIVE OR UNSUITABLE.



GROHE America Inc. • 241 Covington Drive Bloomingdale • Illinois, 60108
Telefon 630/582 7711 • Telefax 630/ 582 7722